

# AVANT<sup>®</sup> STAGEV<sup>®</sup> ENGINE 755i

# AVANT<sup>®</sup> STAGEV<sup>®</sup> ENGINE 760i

## Varaosakirja Parts Manual Dellista Ersatzteilliste



GT cabin & DKOS hoses  
Serial numbers: XXXXXX2212 ->

6/2022

# Table Of Contents

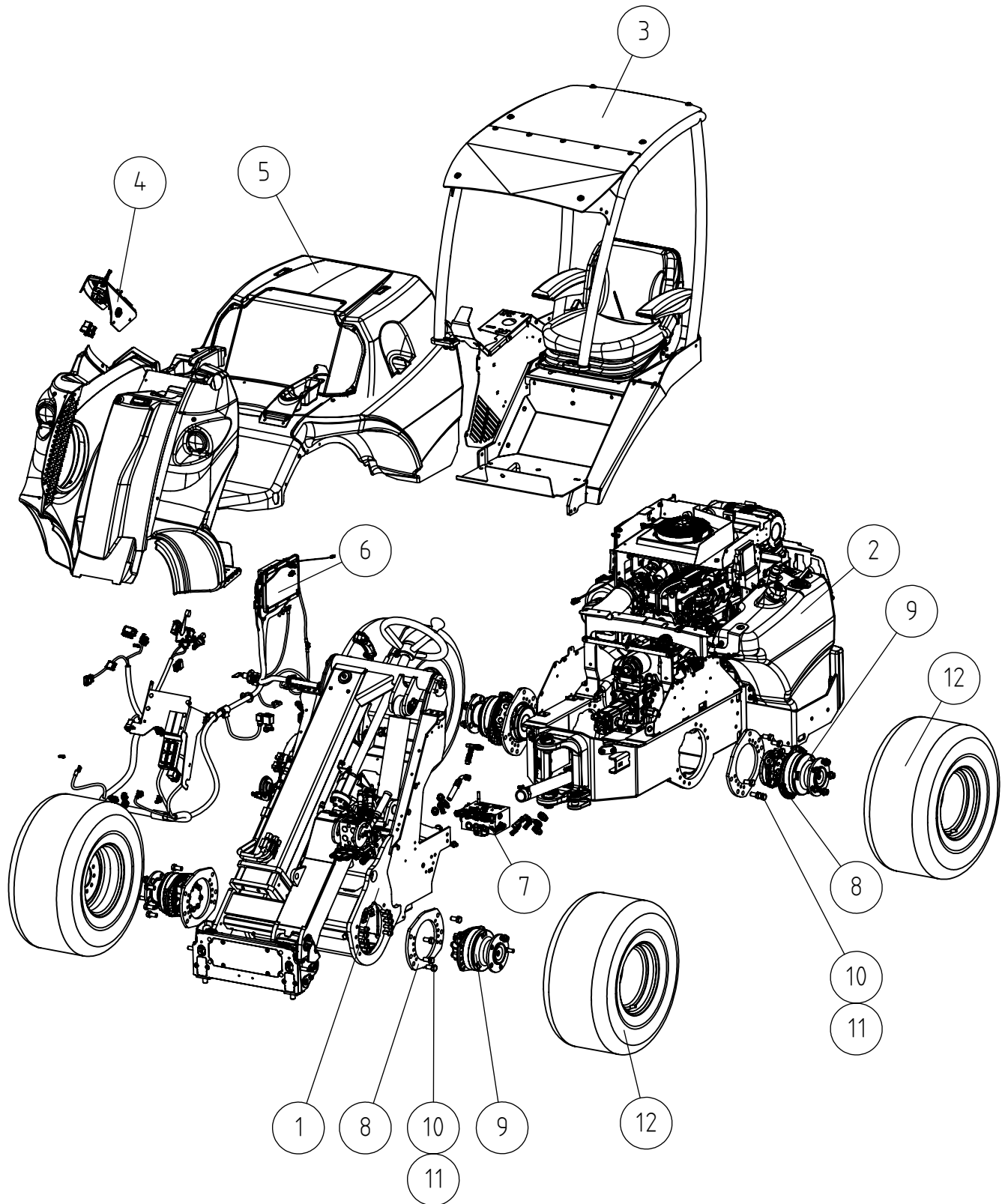
A451548	AVANT 755I STAGE V 11/2022 =>	4
A452147	FRONT FRAME ASSEMBLY 700 SERIES 11/2022	6
A34964	TELESCOPIC BOOM HD COMPLETE, 700 SERIES	8
A34965	OUTER BOOM HD, ASSEMBLY, 700 SERIES	10
A34966	INNER BOOM HD, ASSEMBLY, 700 SERIES	12
A436601	ATTACHMENT COUPLING PLATE CAST STEEL 700	14
A436614	LOCKING PIN ASSEMBLY ATTACHM COUPL PLATE	16
A436687	LINKAGE PIECE "BOOMERANG" CAST STEEL	18
65252	MULTI CONNECTOR, ON LOADER	20
A450588	CONTROL VALVE ASSEMBLY HDS16	22
A429030	CONTROL VALVE HDS16	24
A435563	JOYSTICK ASSEMBLY	26
A436748	CONTROL LEVER AUX. HYDR. FRONT ASSEMBLY	28
A452574	STEERING COLUMN ASSEMBLY	30
A452815	HYDRAULIC HOSES ORBITROL 600-700 SERIES	32
A440870	DRIVE PEDAL ASSEMBLY 700 SERIES	34
A422190	HYDR. HOSES DRIVE PEDAL 700 SERIES	36
A446008	HYDRAULIC OIL COOLER ASSEMBLY 500-700	38
A438827	REAR FRAME 755I/760I STAGE V, ASSEMBLY	40
A441337	REAR CHASSIS ASSEMBLY 700 SERIES	42
A37449	ARTICULATION JOINT ASSEMBL REAR FRAME	44
A415984	LOAD SENSOR SYSTEM, COMPLETE ASSEMBLY	46
A36913	REAR WEIGHT (BUMPER) 168 KG, ASSEMBLY	48
A437479	ENGINE 1903TCR STAGE V 860I 2600RPM ASSE	50
A442043	ACCESSORIES ENGINE KOHLER STAGE 5	52
A451363	RADIATOR ASSEMBLY KOHLER KDI 700-800	54
A436177	EXHAUST PIPE ASSEMBL KOHLER KDI STAGE5	56
A441869	MOUNTING BRACKETS ENGINE KOHLER KDI	58
A437466	ENGINE BAY KOHLER KDI STG5 T4F 700-800	60
A37242	HYDRAULIC MANIFOLD ASSEMBLY 400-800 SER	62
A429274	HYDRAULIC PUMPS ASSEMBLY 755/760 OPTIDRI	64
66355	VARIABLE DISPL. PUMP 755I/760I HP P4 046	66

30.6.2022

A436129	FUEL TANK ASSEMBLY 66L	68
A452130	ROPS CAB ASSEMBLY 500-700 SERIES	70
A452129	ROPS CAB 500-700 SERIES	72
A49119	ROPS FRAME WITH FOPS CANOPY, 600/700 SER	74
A439987	INSTRUMENT PANEL WITH DECAL 800 SERIES	76
A435860	DASHBOARD ASSEMBLY	78
A451115	COVER PLATES KIT, ABS 700 SERIES ROPS	80
A446265	COVER PLATES FRONT FRAME ABS 500-700	82
A447754	COVER PLATES FRONT FRAME POLYCARBONATE	84
A442266	COVER PLATES REAR FRAME ABS 700/800	86
A445553	COVER PLATES REAR FRAME HD POLYCARBONATE	88
A437518	MUDGUARDS REAR 700/800 STAGE 5	90
A453581	ELECTRIC COMPONENTS 760I	92
A436657	POWER DELIVERY UNIT 755I/760I/860I STAGE	94
A453565	VECU & FUSE BOXES ON MOUNTING BRACKET	96
A445009	HYDRAULIC MOTOR ASSEMBLY 398 CCM POCLAIN	98
65670	HYDRAULIC MOTOR MSE02 398CCM	100
65671	HYDRAULIC MOTOR B MSE02 398CCM W. BRAKE	102
A451549	AVANT 760I STAGE V 11/2022 =>	104
A451386	HYDR. HOSES DRIVE, WITH ANTI SLIP	106
A421617	HYDRAULIC MANIFOLD, ANTI SLIP VALVE	108
A421615	HYDRAULIC MANIFOLD DRIVE RELEA & 2-SPEED	110
A448175	HYDRAULIC MOTOR ASSEMBLY 560/280 CCM	112
A445631	BOOM SELF LEVELLING 755I/760I	114
A449741	DIRECTIONAL VALVE ASSEMBLY BOOM FLOATING	116
A445633	SMOOTH DRIVE - BOOM SUSPENSION 600-700	118
A37362	ANTI SLIP VALVE OPTIDRIVE 700 SERIES	120
A438667	WORK LIGHT KIT, 3 LED LIGHTS 700 LUMEN	122
A449937	CAB L, 645I/650I/755I/760I	124
A443979	WINDSCREEN WIPER ASSEMBLY CAB L 523-760I	126
A446010	TANK WINDSCREEN WASHER, ASSEMBLY	128
A450869		130
A434047	HEATER MODULE CAB GT	132

30.6.2022

A451548 AVANT 755I STAGE V 11/2022 =>





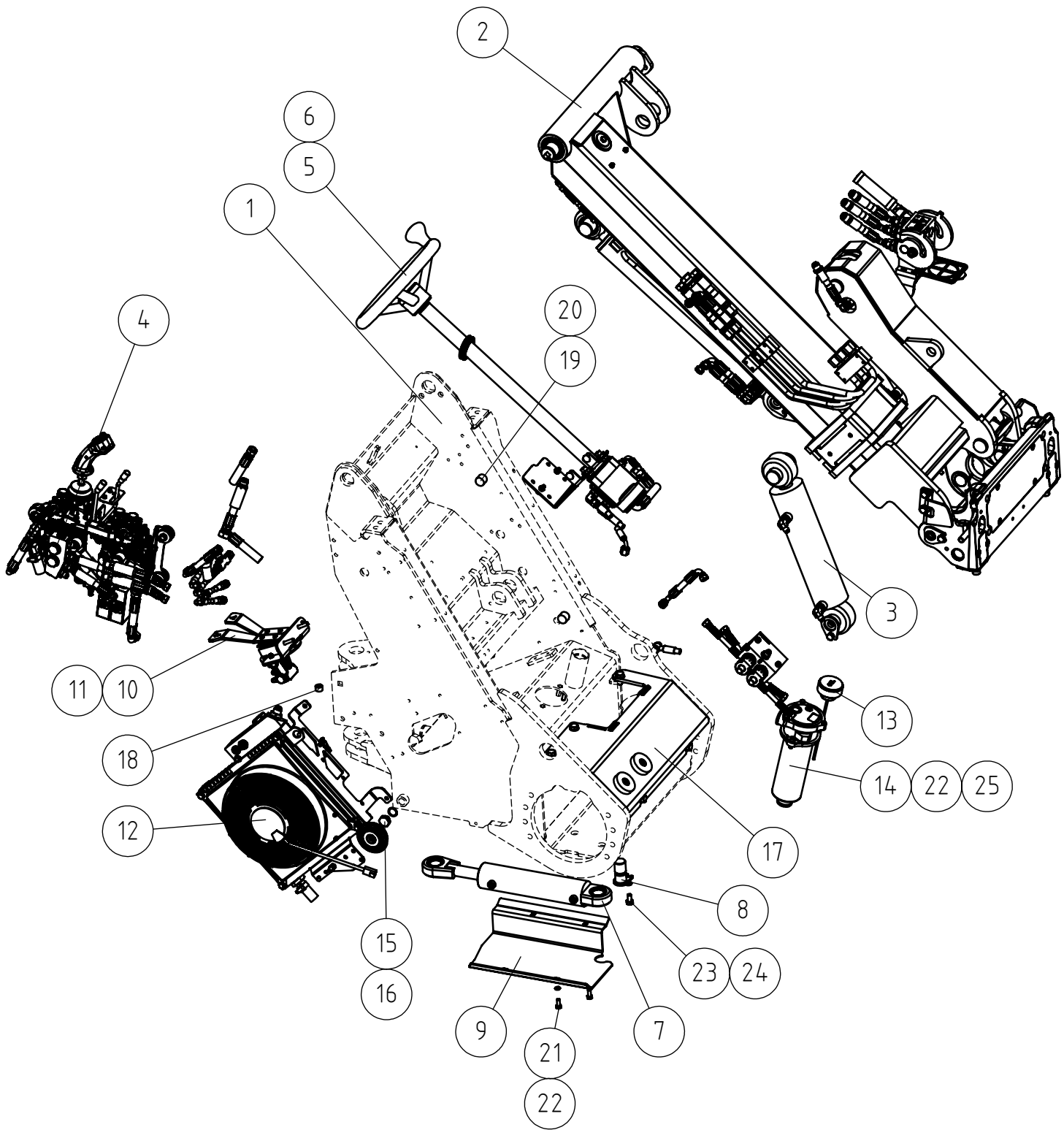
30.6.2022

**A451548 AVANT 755I STAGE V 11/2022 =>**

REF	PART NO	QTY	DESCRIPTION	NOTES	PAGE
1	A452147	1	FRONT FRAME ASSEMBLY 700 SERIES 11/2022		6
2	A438827	1	REAR FRAME 755I/760I STAGE V, ASSEMBLY		40
3	A452130	1	ROPS CAB ASSEMBLY 500-700 SERIES		70
4	A435860	1	DASHBOARD ASSEMBLY		78
5	A451115	1	COVER PLATES KIT, ABS 700 SERIES ROPS		80
6	A453581	1	ELECTRIC COMPONENTS 760I		92
7	A452920	1	HYDR. HOSES DRIVE, WITH ANTI SLIP 700		-
8	A417375	4	MOUNTING PLATE HYDR. MOTOR 745 POCLAIN		-
9	A445009	1	HYDRAULIC MOTOR ASSEMBLY 398 CCM POCLAIN		98
10	74799	24	HEXAGONAL SCREW M16*35 DIN 933		-
11	74533	24	WASHER, PAIR, M16 NL16 NORDLOCK		-
12	65224	4	WHEEL (TYRE+RIM) 10 HOLE 320/60-12 TR HD		-

30.6.2022

# A452147 FRONT FRAME ASSEMBLY 700 SERIES 11/2022



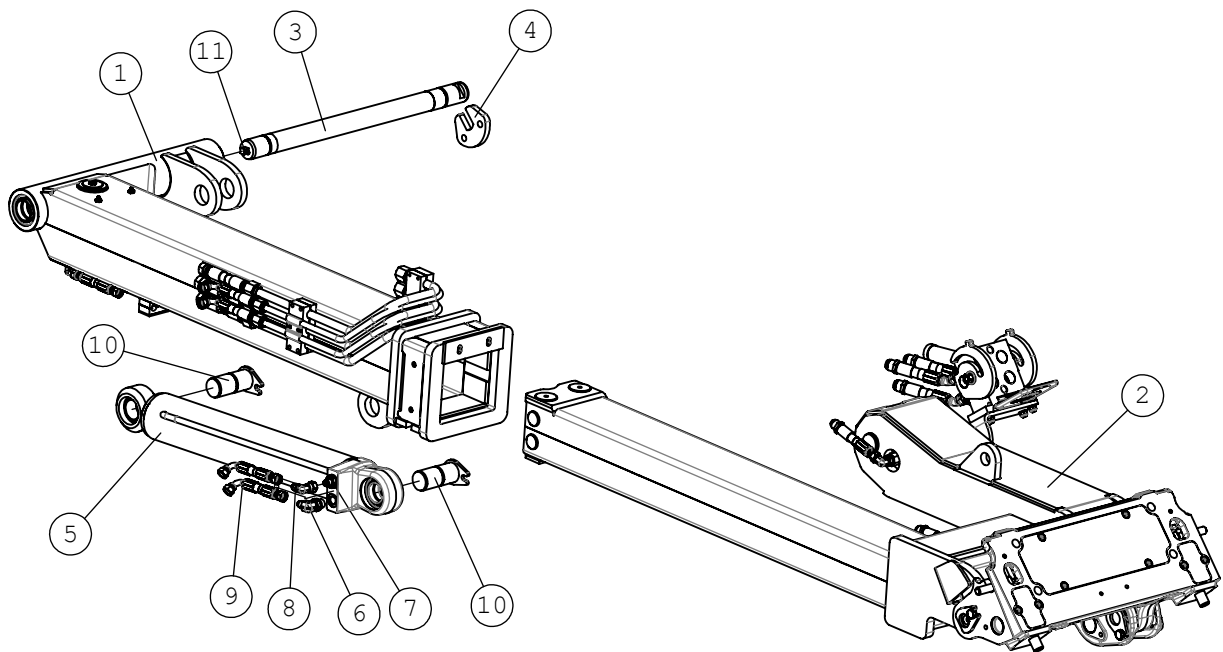
30.6.2022

**A452147 FRONT FRAME ASSEMBLY 700 SERIES 11/2022**

REF	PART NO	QTY	DESCRIPTION	NOTES	PAGE
1	A448124	1	FRONT FRAME 700 SERIES 11/2022		-
2	A34964	1	TELESCOPIC BOOM HD COMPLETE, 700 SERIES		8
2.1	A430736	1	SLIDE PAD KIT TELESCOPIC BOOM A34964 700		-
3	A445631	1	BOOM SELF LEVELLING 7551/760I		114
4	A450588	1	CONTROL VALVE ASSEMBLY HDS16		22
5	A452574	1	STEERING COLUMN ASSEMBLY		30
6	A452815	1	HYDRAULIC HOSES ORBITROL 600-700 SERIES		32
7	A49825	1	HYDR. CYLINDER STEERING 50/30-172		-
7.1	65567	1	SEAL KIT, CYLINDER F60/F30		-
8	A47655	1	PIVOT PIN F30-60		-
9	A410452	1	BOTTOM PLATE		-
10	A440870	1	DRIVE PEDAL ASSEMBLY 700 SERIES		34
11	A422190	1	HYDR. HOSES DRIVE PEDAL 700 SERIES		36
12	A446008	1	HYDRAULIC OIL COOLER ASSEMBLY 500-700		38
13	A48010	1	DIPSTICK L=230 HYDR. OIL R1 1/4"		-
14	65205	1	HYDR. OIL FILTER RETURN, COMPLETE		-
14.1	65227	1	HYDR. OIL FILTER CARTRIDGE, RETURN		-
14.2	A427821	1	SEAL KIT HYDRAULIC RETURN OIL FILTER		-
14.3	A430808	1	FILTER BOWL LONG, HYDR. RETURN OIL		-
15	64352	1	HEXAGONAL DRAIN PLUG, MAGNETIC R 1/2		-
16	75117	1	SEAL RING F26/F21*1,5		-
17	A446013	1	COVER WITH STOPPERS		-
18	A413262	2	BUSHING F19/F10, FLOOR RAISING, 700 SERI		-
19	65238	2	RUBBER MOUNT, CYLINDRICAL		-
20	74781	2	HEXAGONAL NUT M6 WITH FLANGE		-
21	72130	4	HEXAGONAL SCREW M8*20		-
22	75100	6	SPACER NORDLOCK M8 NL8, PAIR		-
23	73040	1	HEXAGONAL SCREW M10*20 DIN 933 ZN		-
24	74531	1	SPACER NORDLOCK M10, PAIR		-
25	71884	2	HEXAGONAL HEAD SCREW M 8*25 DIN 912 2		-

30.6.2022

# A34964 TELESCOPIC BOOM HD COMPLETE, 700 SERIES



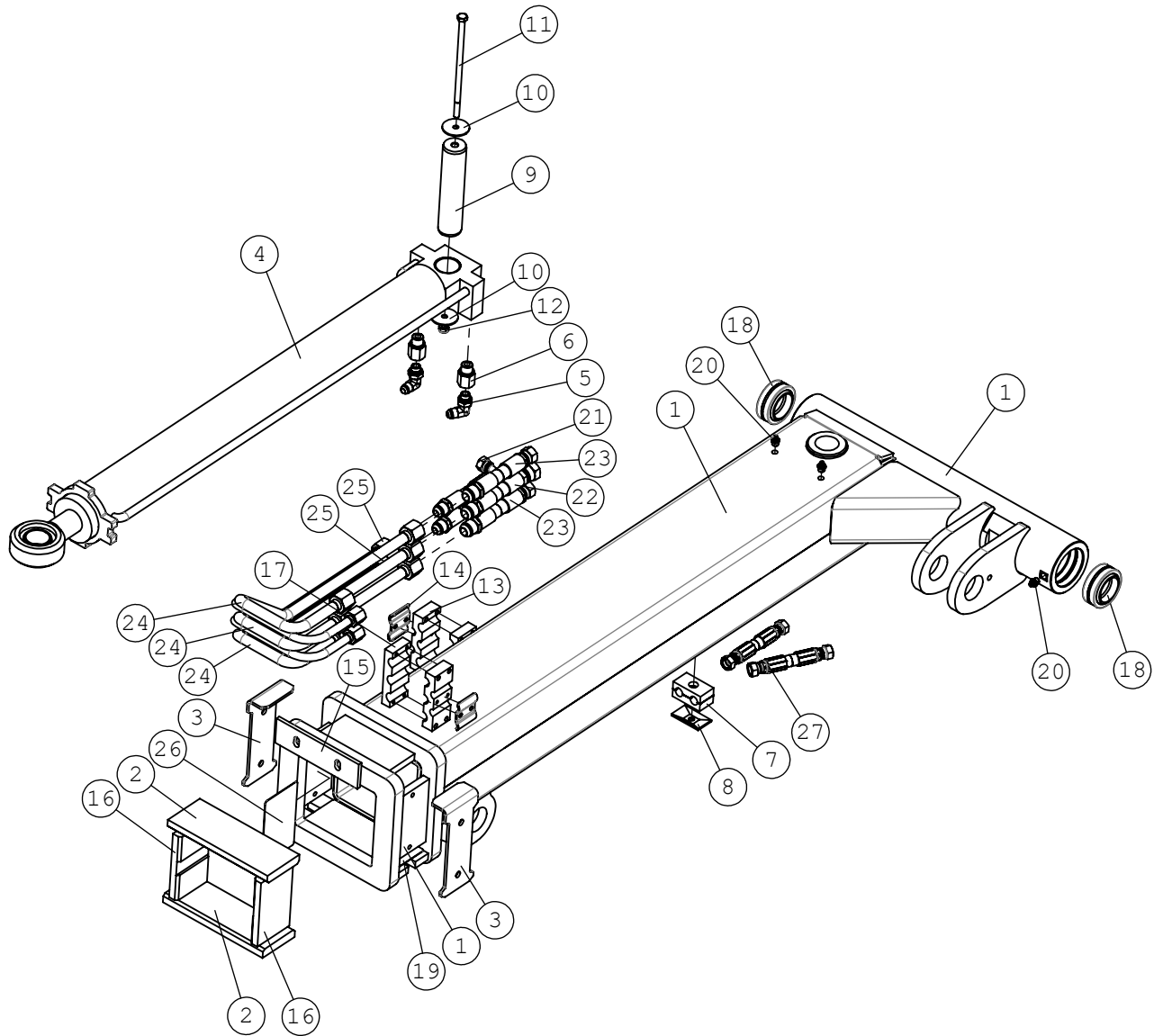
30.6.2022

**A34964 TELESCOPIC BOOM HD COMPLETE, 700 SERIES**

REF	PART NO	QTY	DESCRIPTION	NOTES	PAGE
1	A34965	1	OUTER BOOM HD, ASSEMBLY, 700 SERIES		10
2	A34966	1	INNER BOOM HD, ASSEMBLY, 700 SERIES		12
3	A49725	1	PIVOT PIN F40-564		-
4	A49723	1	LOCKING PLATE		-
5	A420808	1	HYDRAULIC CYLINDER F80/F40-450		-
5.1	65002	1	SEAL KIT, 80/40CYLINDER		-
5.2	64911	2	ARTICUL. BEARING GE40ES F62/40-28(22)		-
6	64044	1	ELBOW FITTING 90° C40XS10-3/8 /8		-
7	64041	1	BASIC FITTING F40XS10-3/8 /8		-
8	64043	1	ELBOW FITTING 90° C6XS10		-
9	A47635	2	HYDR. HOSE L=1720 2LW-06		-
10	A47041	2	PIVON PIN F40-90		-
11	74082	1	GREASE NIPPLE R1/8" 90 DEGREE		-
-	A430736	1	SLIDE PAD KIT TELESCOPIC BOOM A34964 700		-

30.6.2022

# A34965 OUTER BOOM HD, ASSEMBLY, 700 SERIES



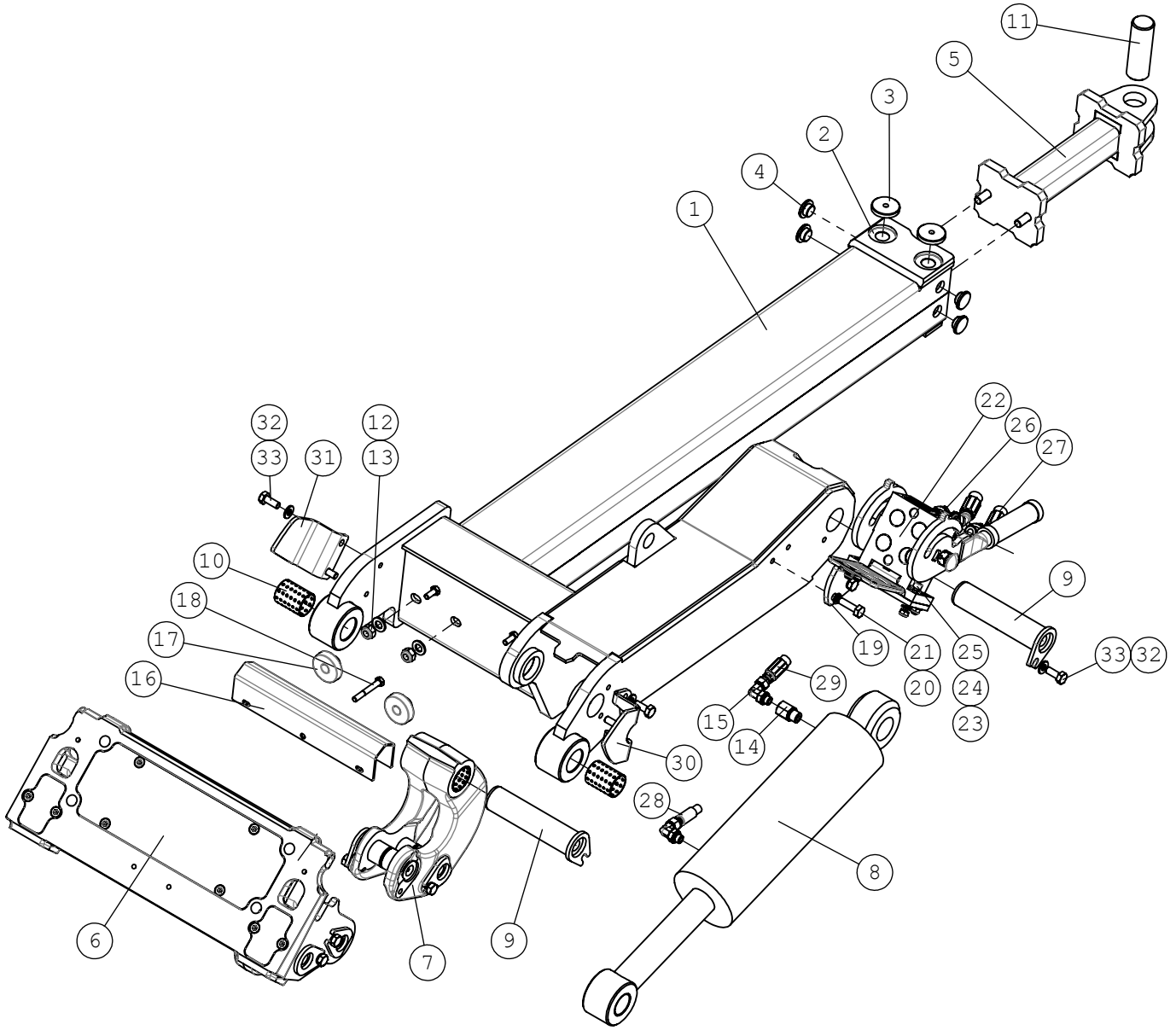
30.6.2022

**A34965 OUTER BOOM HD, ASSEMBLY, 700 SERIES**

REF	PART NO	QTY	DESCRIPTION	NOTES	PAGE
1	A34967	1	OUTER BOOM, TELESCOPIC BOOM 700 SERIES		-
2	A48339	2	SLIDE PAD 15*72*194		-
3	A412833	2	COVER PLATE		-
4	A412829	1	HYDR. CYLINDER F63/F36 TELESCOPE 700SE		-
4.1	A418403	1	SEAL KIT, 63/36 CYLINDER TELEBOOM 700 SE		-
4.2	A450703	1	ARTICULATION BEARING GE35ES 55/35-25(20)		-
4.3	A442987	1	SLIDE BEARING F39/F35-30		-
5	64087	2	ELBOW FITTING 90 DEGR. /4#		-
6	64324	2	REDUCER FITTING RI 3/8"-EDX 1/4"		-
7	64886	1	PIPE CLAMP 214/14		-
8	73767	1	COVER PLATE GD2-D, PIPE CLAMP		-
9	A412867	1	PIVOT PIN F35 L=157		-
10	A48492	2	WASHER M8X40		-
11	74757	1	HEXAGONAL SCREW M8*180 DIN 931		-
12	72320	1	HEXAGONAL NUT M8 NYLOC DIN 985		-
13	A47562	1	BRACKET, HYDR.PIPE F16/F12		-
14	A47563	2	BRACKET, HYDR.PIPE F12		-
15	A48367	1	SCRAPER		-
16	A412868	2	SLIDE PAD 15X72X118		-
17	A47561	1	BRACKET, HYDR. PIPE F16		-
18	64911	2	ARTICUL. BEARING GE40ES F62/40-28(22)		-
19	A48014	1	ADJUSTMENT PLATE 1 MM, LONG		-
20	72798	3	GREASE NIPPLE R 1/8" STRAIGHT		-
21	A47638	2	HYDR. HOSE L=1610 2LW-06		-
22	A47681	1	HYDR. HOSE L=1020 1LW-08		-
23	A47639	2	HYDR. HOSE L=1100 2LW-08		-
24	A413413	3	HYDRAULIC TUBE F16		-
25	A413414	2	HYDRAULIC TUBE F12		-
26	A412971	1	ADJUSTMENT PLATE 117X72 1MM		-
27	A414606	2	HYDR. HOSE L=1400		-

30.6.2022

# A34966 INNER BOOM HD, ASSEMBLY, 700 SERIES





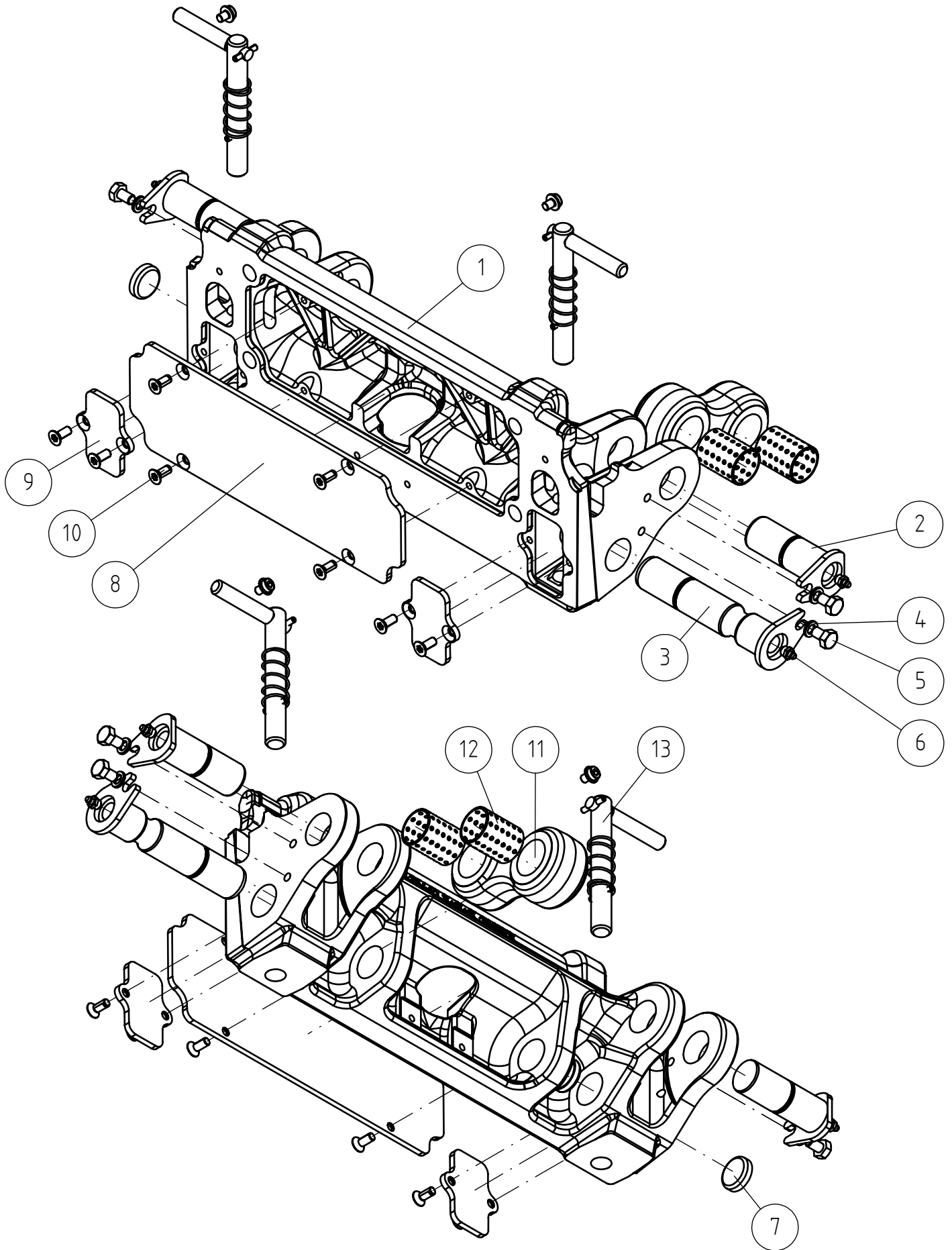
30.6.2022

**A34966 INNER BOOM HD, ASSEMBLY, 700 SERIES**

REF	PART NO	QTY	DESCRIPTION	NOTES	PAGE
1	A34968	1	INNER BOOM, TELESCOPIC BOOM 700 SERIES		-
2	A47941	2	SLIDE PLATE		-
3	A47922	2	ROLLER, BOOM		-
4	A48343	4	ROLLER, BOOM		-
5	A34979	1	CONNECTING ROD		-
6	A436601	1	ATTACHMENT COUPLING PLATE CAST STEEL 700		14
7	A436687	1	LINKAGE PIECE "BOOMERANG" CAST STEEL		18
8	A412830	1	HYDR. CYLINDER F100/F40 TILT CYLINDE		-
8.1	A418435	1	SEAL KIT, 100/45 CYLINDER, TILT 700 SERI		-
8.2	64911	1	ARTICUL. BEARING GE40ES F62/40-28(22)		-
9	A412810	2	PIVOT PIN F40-167		-
10	64913	2	SLIDE BEARING BRM-80 TFP-3550 F39/F35-50		-
11	A412870	1	PIVOT PIN F35 L=104		-
12	71691	2	WASHER M12 A13 DIN 125		-
13	72324	2	HEXAGONAL NUT M 12 NYLOC DIN 985		-
14	64324	1	REDUCER FITTING RI 3/8"-EDX 1/4"		-
15	64087	2	ELBOW FITTING 90 DEGR. /4#		-
16	A413816	1	SERVICE SUPPORT, LIFT CYLINDER		-
17	64188	2	FINGER SCREW R5026M8S		-
18	72139	1	HEXAGONAL SCREW M 8*60 DIN 931		-
19	A410804	1	MOUNTING BRACKET, MULTI CONNECTOR LOADER		-
20	74531	2	SPACER NORDLOCK M10, PAIR		-
21	74505	2	HEXAGONAL SCREW M10*35 DIN 933 ZN		-
22	65252	1	MULTI CONNECTOR, ON LOADER		20
23	73122	4	WASHER M8 A8,4 DIN 125 ZN		-
24	72320	4	HEXAGONAL NUT M8 NYLOC DIN 985		-
25	71884	4	HEXAGONAL HEAD SCREW M 8*25 DIN 912 2		-
26	64058	3	BASIC FITTING F40XS12-1/2		-
27	A414911	3	HYDR. HOSE L=1150 2LW-08		-
28	A414913	1	HYDR. HOSE L=1550 2LW-06		-
29	A414912	1	HYDR. HOSE L=1250 2LW-06		-
30	A430655	1	RELEASE PLATE		-
31	A432890	1	RELEASE PLATE RIGHT		-
32	75102	5	SPACER NORDLOCK M10 NL10SP, PAIR		-
33	72150	5	HEXAGONAL SCREW M10*25 DIN 933 ZN		-

30.6.2022

# A436601 ATTACHMENT COUPLING PLATE CAST STEEL 700



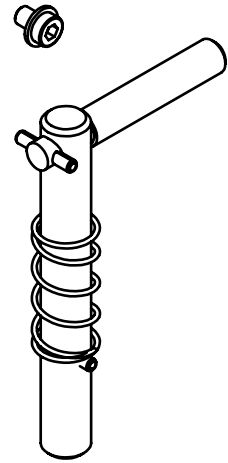
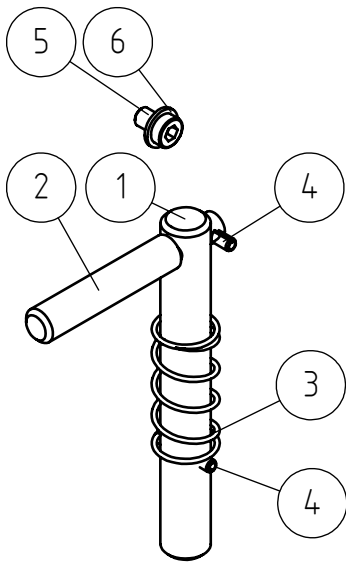
30.6.2022

**A436601 ATTACHMENT COUPLING PLATE CAST STEEL 700**

REF	PART NO	QTY	DESCRIPTION	NOTES	PAGE
1	A435467	1	ATTACHMENT COUPLING PLATE ADI CAST STEEL		-
2	A412814	2	PIVOT PIN F35-98		-
3	A427469	1	PIVOT PIN 35-175		-
4	74531	3	SPACER NORDLOCK M10, PAIR		-
5	72147	3	HEXAGONAL SCREW M 10*16 DIN 933		-
6	72798	3	GREASE NIPPLE R 1/8" STRAIGHT		-
7	A436582	2	SEALING PUSH-IN CAP 35MM DIN 443		-
8	A427458	1	COVERING PLATE 378X127 ATTACHM COUPL PLA		-
9	A427464	2	COVERING PLATE 87X47 ATTACHM COUPL PLATE		-
10	A441215	8	THREAD-FORMING SCREW M8*20 ISO 14581		-
11	A430007	1	LINKAGE PIECE 700/800 SERIES		-
12	64913	2	SLIDE BEARING BRM-80 TFP-3550 F39/F35-50		-
13	A436614	1	LOCKING PIN ASSEMBLY ATTACHM COUPL PLATE		16

30.6.2022

# A436614 LOCKING PIN ASSEMBLY ATTACHM COUPL PLATE



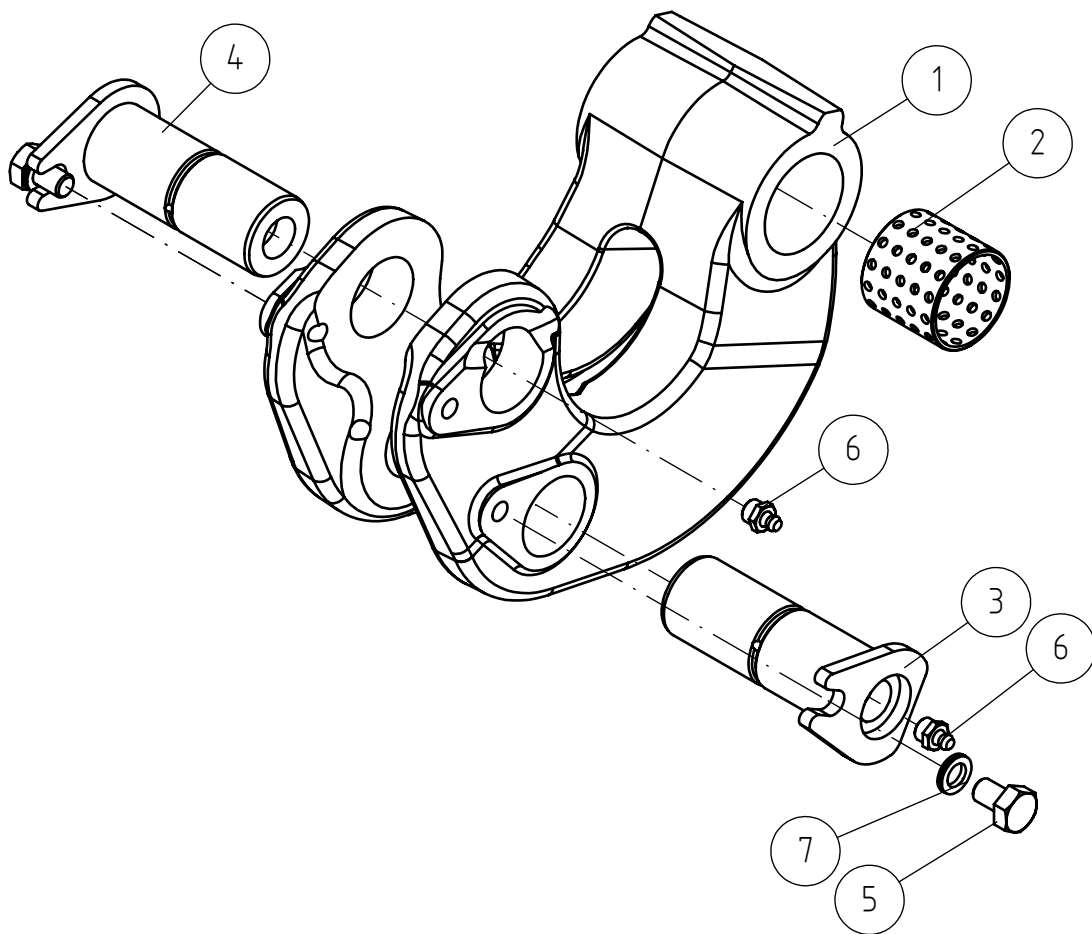
30.6.2022

**A436614 LOCKING PIN ASSEMBLY ATTACHM COUPL PLATE**

REF	PART NO	QTY	DESCRIPTION	NOTES	PAGE
1	A47687	2	LOCKING PIN F20		-
2	A47688	2	LATCH PIN		-
3	64138	2	COMPRESSION SPRIG DIN 2098 2*25*135		-
4	73661	4	SPRING PIN 5*30 DIN 1481		-
5	74932	2	HEXAGONAL HEAD SCREW M8*12		-
6	73122	2	WASHER M8 A8,4 DIN 125 ZN		-

30.6.2022

# A436687 LINKAGE PIECE "BOOMERANG" CAST STEEL



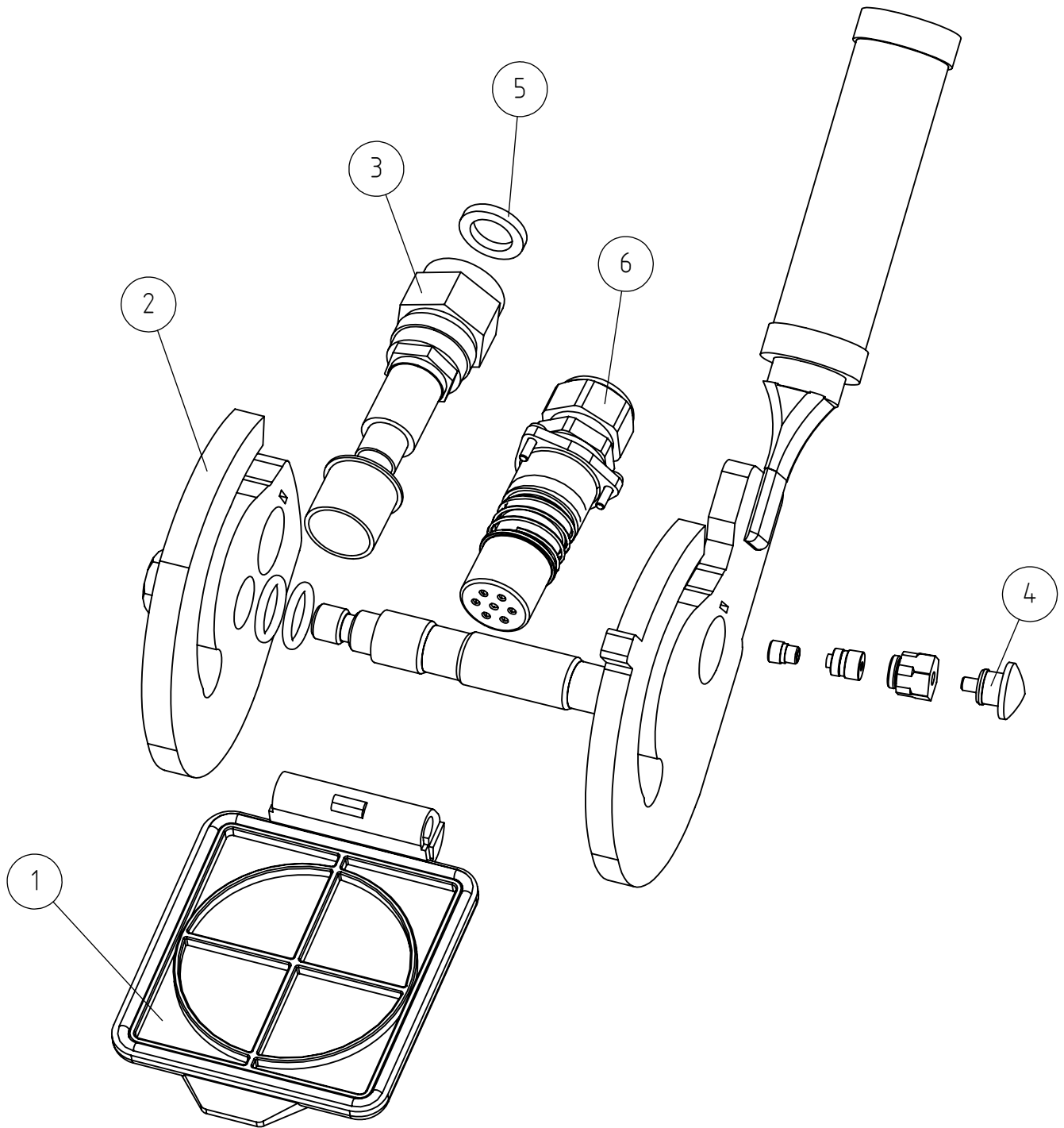
30.6.2022

**A436687 LINKAGE PIECE "BOOMERANG" CAST STEEL**

REF	PART NO	QTY	DESCRIPTION	NOTES	PAGE
1	A435456	1	LINKAGE PIECE "BOOMERANG" CAST STEEL		-
2	64912	2	SLIDE BEARING BRM-80 TFP-4040 F44/F40-4		-
3	A430579	1	PIVOT PIN 35-103		-
4	A430582	1	PIVOT PIN 35-92		-
5	72147	2	HEXAGONAL SCREW M 10*16 DIN 933		-
6	72798	2	GREASE NIPPLE R 1/8" STRAIGHT		-
7	74531	2	SPACER NORDLOCK M10, PAIR		-

30.6.2022

# 65252 MULTI CONNECTOR, ON LOADER





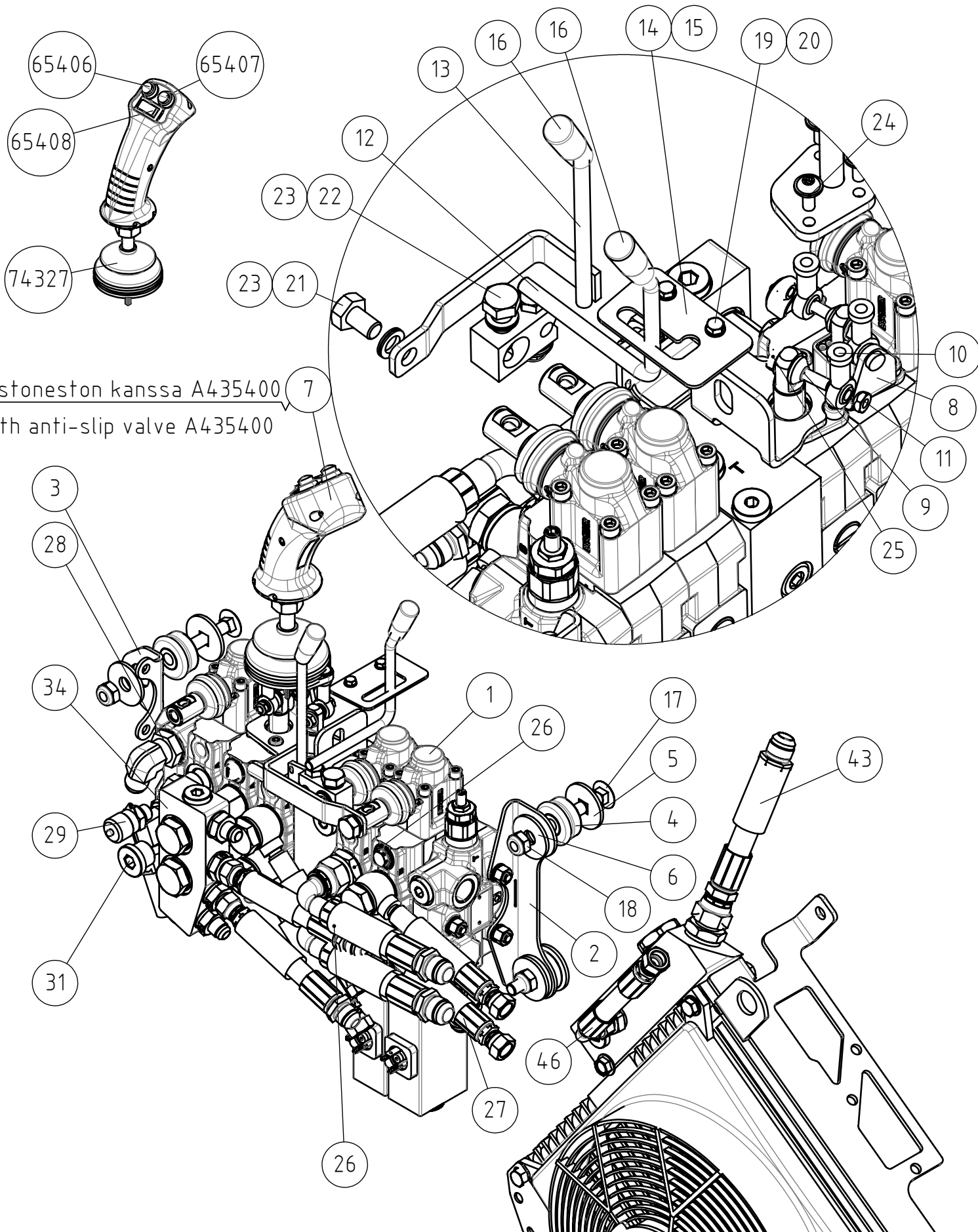
30.6.2022

**65252 MULTI CONNECTOR, ON LOADER**

REF	PART NO	QTY	DESCRIPTION	NOTES	PAGE
1	65882	1	CAP PLATE, KIT, MULTI CONNECTOR		-
2	65884	1	HANDLE, KIT, MULTI CONNECTOR ON LOADER		-
3	65881	1	QUICK COUPLER, ON MULTI CONNECTOR		-
4	65883	1	SAFETY BUTTON, KIT, MULTI CONNECTOR		-
5	65880	1	SEAL RING, MULTI CONNECTOR SK MF 12		-
6	75035	1	ELECTRIC CONNECTOR FEMININE, FASTER		-

30.6.2022

# A450588 CONTROL VALVE ASSEMBLY HDS16



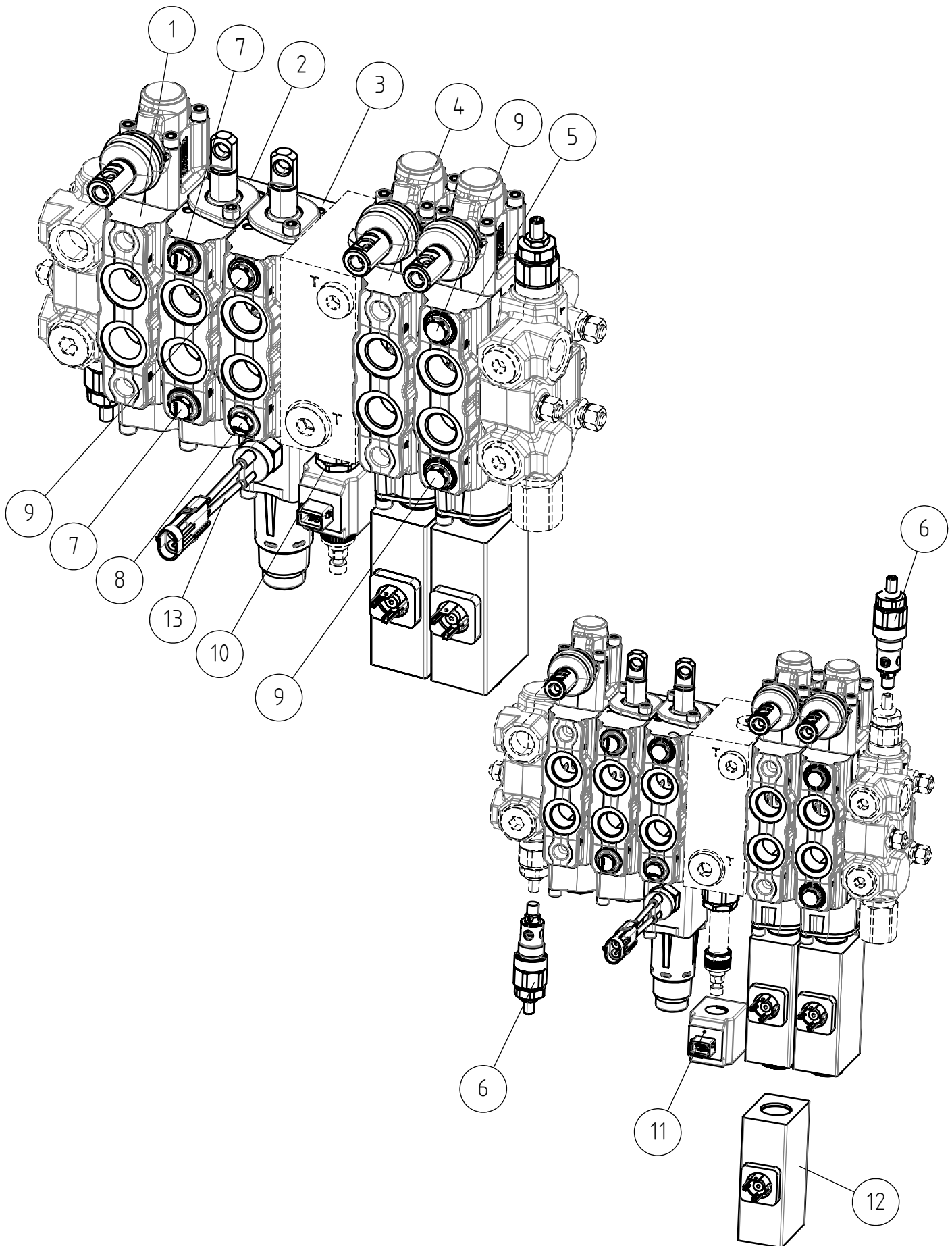
30.6.2022

**A450588 CONTROL VALVE ASSEMBLY HDS16**

REF	PART NO	QTY	DESCRIPTION	NOTES	PAGE
1	A429030	1	CONTROL VALVE HDS16		24
1.1	A439953	1	VALVE SECTION WITH BOOM FLOATING CONTROL		-
1.2	A447990	1	SEAL KIT BUCHER A429030		-
2	A431030	1	MOUNTING BRACKET FRONT, CONTROL VALVE		-
3	A431032	1	MOUNTING BRACKET REAR, CONTROL VALVE		-
4	A431033	3	VIBRATION DAMPER SCBR 45SH		-
5	A431029	3	SPACER 3MM		-
6	A431034	3	WASHER Ø38/12,5, S=3 SCBR 38		-
7	A435563	1	JOYSTICK ASSEMBLY		26
7.1	65406	1	PUSHBUTTON, RED, AUX. HYDR. JOYSTICK		-
7.2	65407	1	PUSHBUTTON, BLUE, JOYSTICK, AUX. HYDR.		-
7.3	65408	1	ROCKER SWITCH, BLACK, JOYSTICK		-
8	A435838	1	MOUNTING BRACKET CONTROL LEVERS		-
9	A431066	2	PIN LONG CONTROL LEVERS M6 THREAD		-
10	65501	3	ROD END JAF 6		-
11	A41822	2	LEVERAGE NUT M 6		-
12	A436748	1	CONTROL LEVER AUX. HYDR. FRONT ASSEMBLY		28
13	A442075	1	CONTROL LEVER TELEBOOM 800 SERIES		-
14	A410901	1	LOCKING PLATE, CONTROL LEVER		-
15	A48360	1	LOCKING PIECE		-
16	74761	2	KNOB, CONTROL LEVER		-
17	A437458	3	CARRIAGE BOLT M10*50 DIN603		-
18	72322	3	HEXAGONAL NUT M 10 NYLOC DIN 985		-
19	72110	2	HEX. SCREW M5*16 DIN 933		-
20	74448	2	WASHER M5 A5,3 DIN 125 ZN		-
21	72147	1	HEXAGONAL SCREW M 10*16 DIN 933		-
22	72151	1	HEXAGONAL SCREW M10*30 DIN 933 ZN		-
23	74531	2	SPACER NORDLOCK M10, PAIR		-
24	A442149	3	THREAD-FORMING SCREW M6*16 BN219-8.8		-
25	74781	2	HEXAGONAL NUT M6 WITH FLANGE		-
26	65060	2	BASIC FITTING F40XS16-1/2		-
27	64058	1	BASIC FITTING F40XS12-1/2		-
28	64045	1	ELBOW FITTING 90° C40XS12-1/2 /2		-
29	64196	1	MANOMETER FITTING M16*2		-
30	64743	1	REDUCER FITTING R1/2" - EDX 1/4"		-
31	64174	1	HEXAGONAL DRAIN PLUG HF 1/2" WITH SEAL		-
32	73047	8	USIT SEAL RING R/12"		-
33	73959	4	BANJO BOLT R 1/2"		-
34	A446806	1	HYDRAULIC MANIFOLD ASSEMBLY CONTROL		-
35	A445580	2	BUSHING ASSEMBLY		-
36	A450589	1	HYDR. HOSE L=1430		-
37	A450590	1	HYDR. HOSE L=1330		-
38	A450594	2	HYDR. HOSE L=1650		-
39	A446821	2	HYDR. HOSE L=1410		-
40	A450591	2	HYDR. HOSE L=1180		-
41	A429675	1	HOSE FITTING 06 UNF 9/16"		-
42	A449632	1	HOSE BARB 90 DEGR. G1/2" - 20MM		-
43	A446841	1	HYDR. HOSE L=820		-
44	A450526	1	INLET HOSE L=730 D19		-
45	73530	2	HOSE CLAMP 22-32 MM		-
46	A434555	1	HYDR. HOSE L=2200		-

30.6.2022

# A429030 CONTROL VALVE HDS16



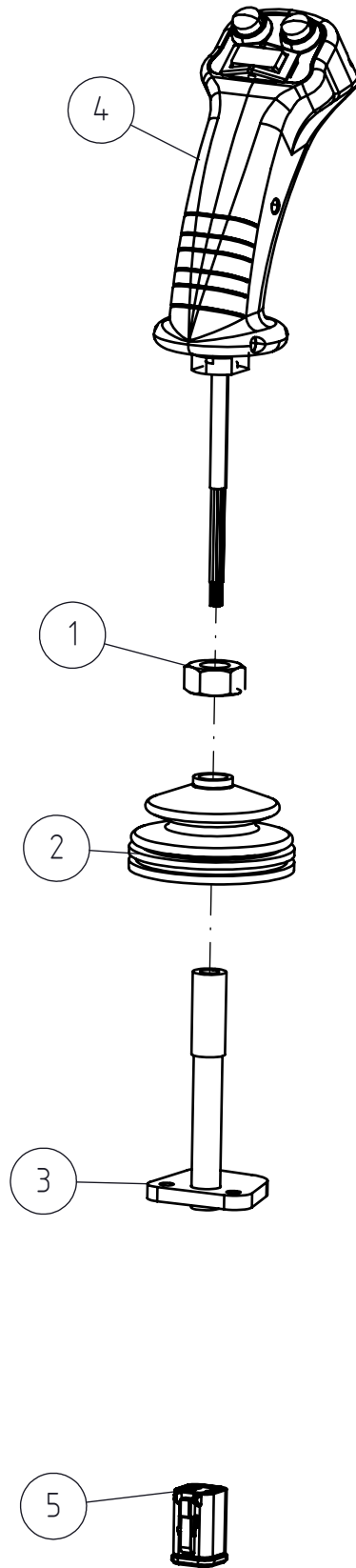
30.6.2022

**A429030 CONTROL VALVE HDS16**

REF	PART NO	QTY	DESCRIPTION	NOTES	PAGE
1	A449639	1	VALVE SECTION REAR AUX. HYDR., CONTROL		-
2	A449637	1	VALVE SECTION TILT CYLINDER CONTROL		-
3	A439953	1	VALVE SECTION WITH BOOM FLOATING CONTROL		-
4	A449636	1	VALVE SECTION EXTRA FRONT AUX. HYDR.,		-
5	A443909	1	VALVE SECTION TELESCOPE, CONTROL VALVE		-
6	A449641	2	PRESSURE RELIEF VALVE CARTRIDGE 150-250		-
7	A449642	2	SHOCK- SUCTION VALVE CARTRIDGE 280 BAR		-
8	A449644	1	SHOCK- SUCTION VALVE CARTRIDGE 320 BAR		-
9	A449645	3	SUCTION VALVE CARTRIDGE HDS16		-
10	A449647	1	VALVE CARTRIDGE 2/2 PUMP SELECTION HDS16		-
11	A441534	1	SOLENOID 12V/21W + DIODE		-
12	A434106	1	SOLENOID 12VDC/60W PUSH-PULL		-
13	A449646	1	MICROSWITCH SAE 6 TO CONTROL VALVE HDS16		-
14	A447990	1	SEAL KIT BUCHER A429030		-
-	A439953	1	VALVE SECTION WITH BOOM FLOATING CONTROL		-
-	A447990	1	SEAL KIT BUCHER A429030		-

30.6.2022

# A435563 JOYSTICK ASSEMBLY



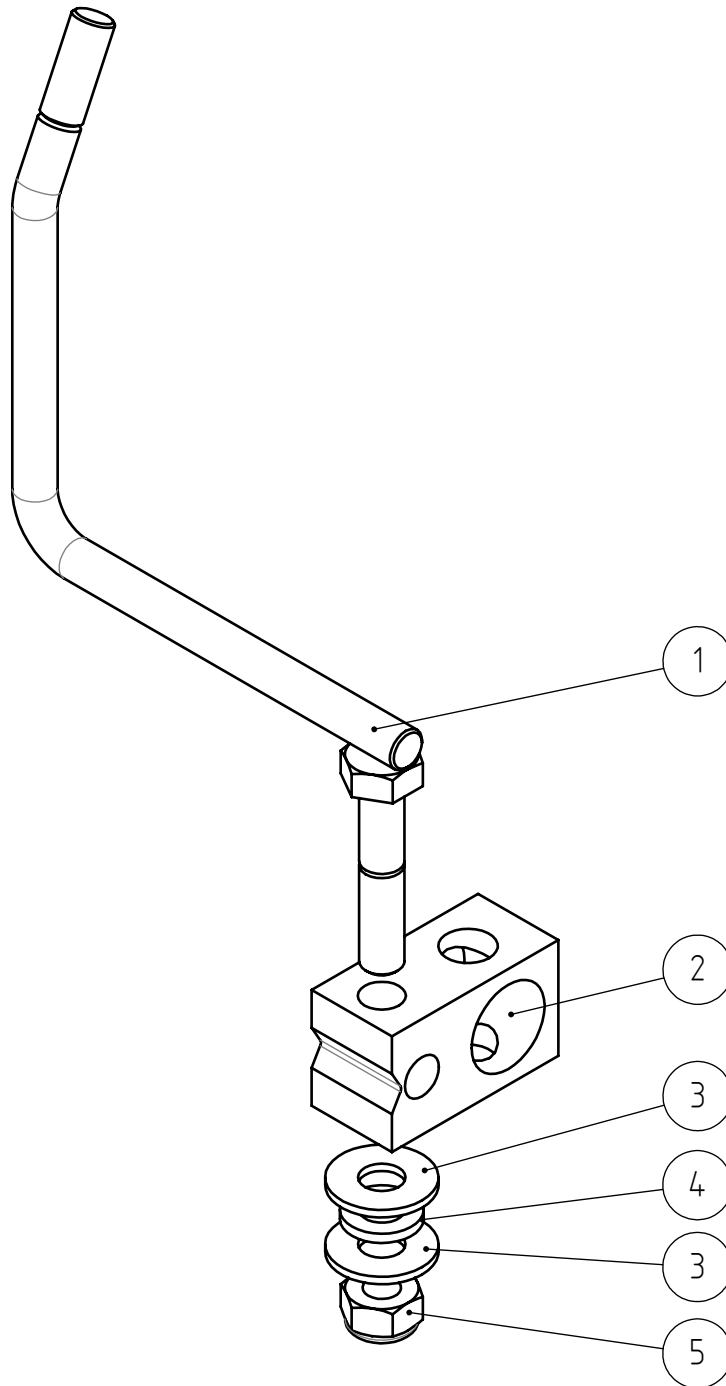
30.6.2022

**A435563 JOYSTICK ASSEMBLY**

REF	PART NO	QTY	DESCRIPTION	NOTES	PAGE
1	74676	1	HEXAGONAL NUT M 14*1,5 DIN 934 ZN		-
2	74327	1	RUBBER COVER, CONTROL LEVER, F12/56*40		-
3	A410614	1	BRACKET ROD, CONTROL LEVER		-
4	64641	1	JOYSTICK HANDLE 8-FUNCTION		-
5	A426057	1	CONNECTOR PLUG DT06-6S DEUTSCH		-
-	65406	1	PUSHBUTTON, RED, AUX. HYDR. JOYSTICK		-
-	65407	1	PUSHBUTTON, BLUE, JOYSTICK, AUX. HYDR.		-
-	65408	1	ROCKER SWITCH, BLACK, JOYSTICK		-

30.6.2022

# A436748 CONTROL LEVER AUX. HYDR. FRONT ASSEMBLY





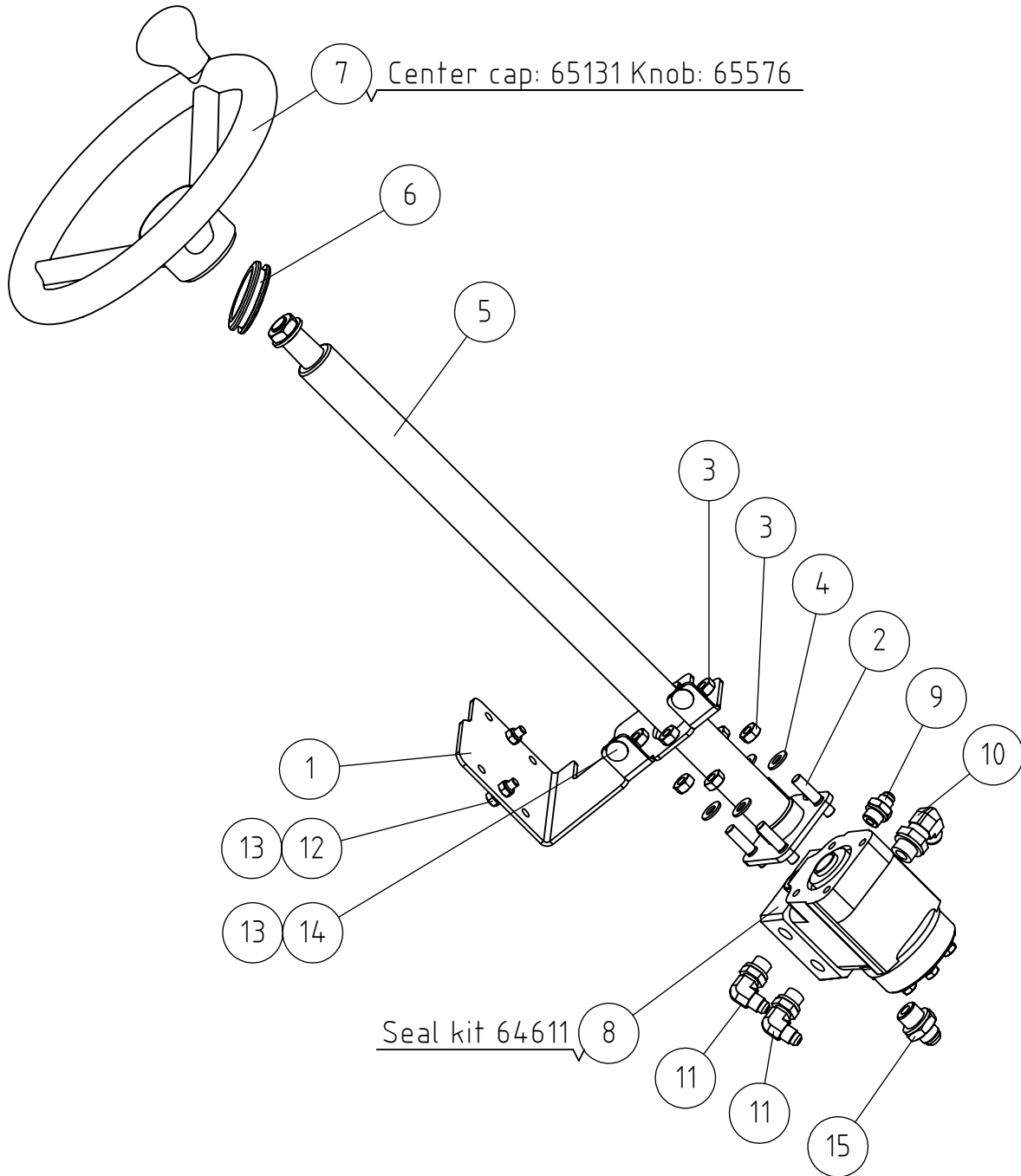
30.6.2022

**A436748 CONTROL LEVER AUX. HYDR. FRONT ASSEMBLY**

REF	PART NO	QTY	DESCRIPTION	NOTES	PAGE
1	A431076	1	CONTROL LEVER AUXILIARY HYDRAULICS FRONT		-
2	A431074	1	MOUNTING PIECE, CROSS, CONTROL LEVERS		-
3	74525	2	WASHER M8 8,4*20*1,25 ZN		-
4	73962	1	WASHER M 8 DIN 127		-
5	72320	1	HEXAGONAL NUT M8 NYLOC DIN 985		-

30.6.2022

# A452574 STEERING COLUMN ASSEMBLY

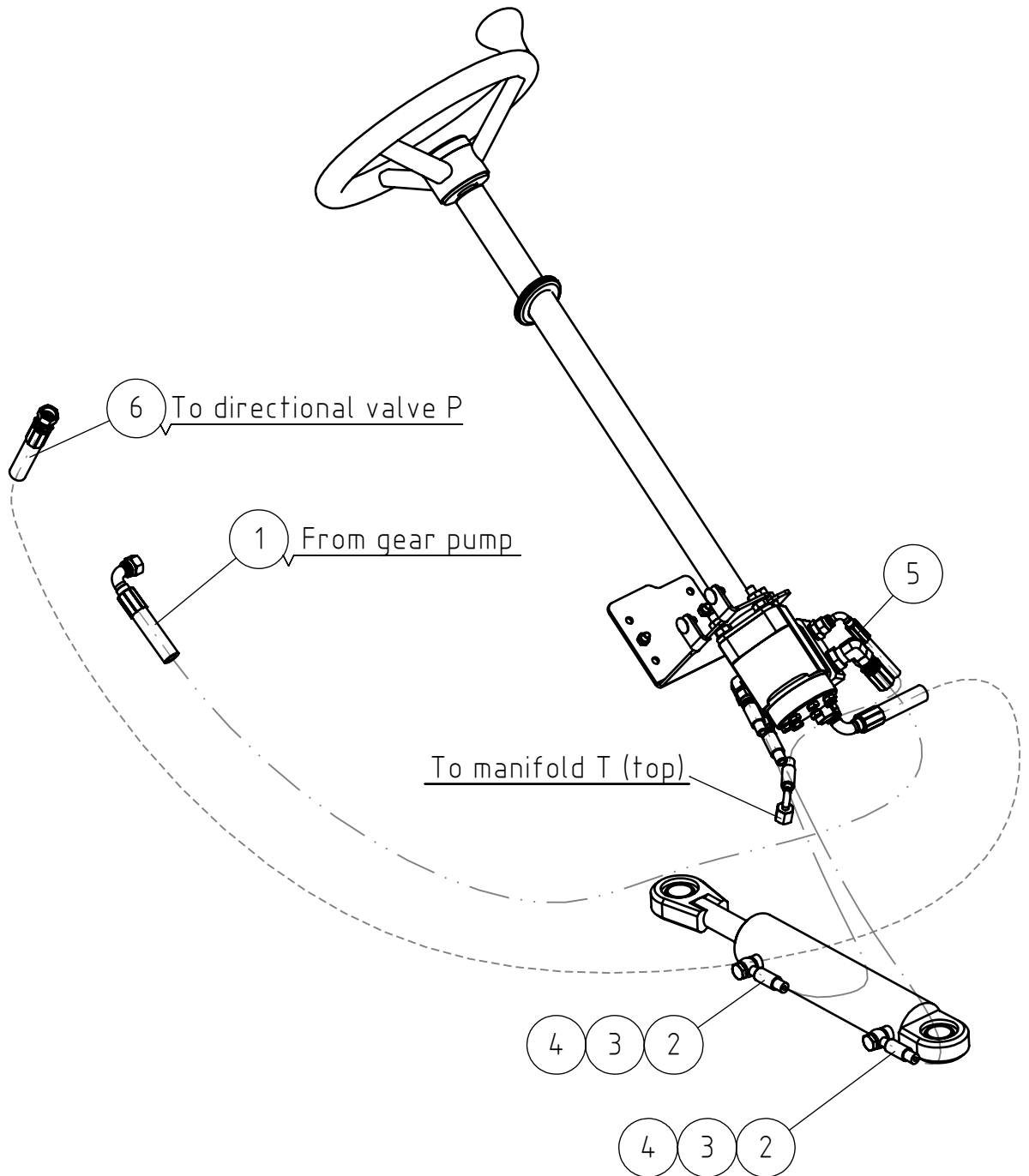


30.6.2022

**A452574 STEERING COLUMN ASSEMBLY**

REF	PART NO	QTY	DESCRIPTION	NOTES	PAGE
1	A446052	1	BRACKET ORBITROL 500-700 SERIES		-
2	74587	4	STUD M10* 35 DIN 939		-
3	72321	8	HEXAGONAL NUT M10 DIN 934		-
4	73121	4	WASHER M10 A10,5 DIN 125 ZN		-
5	66233	1	STEERING WHEEL ROD M+S KK650 -I		-
6	A428827	1	RUBBER BUSHING STEERING COLUMN		-
7	65076	1	STEERING WHEEL "AVANT" F320		-
7.1	65131	1	CENTER CAP, STEERING WHEEL		-
7.2	65576	1	KNOB, STEERING WHEEL, COBO 0034.1130		-
8	64178	1	CONTROL BLOCK M+S HKUS 80/5-140+PRDD80/7		-
8.1	A430819	1	HEXAGONAL HEAD SCREW M10*1*45 ORBITROL		-
8.2	64611	1	SEAL KIT 41 5137 0130 M+S HKUS ORBITROL		-
8.3	64612	1	SEAL KIT, PRIORITY VALVE / ORBITROL M+S		-
9	64041	1	BASIC FITTING F40XS10-3/8 /8		-
10	64045	1	ELBOW FITTING 90° C40XS12-1/2 /2		-
11	64044	2	ELBOW FITTING 90° C40XS10-3/8 /8		-
12	72132	2	HEXAGONAL SCREW M 8*25 DIN 933 ZN		-
13	72320	4	HEXAGONAL NUT M8 NYLOC DIN 985		-
14	74836	2	CARRIAGE BOLT M8*20		-
15	64058	1	BASIC FITTING F40XS12-1/2		-

# A452815 HYDRAULIC HOSES ORBITROL 600-700 SERIES



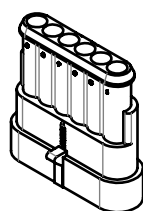
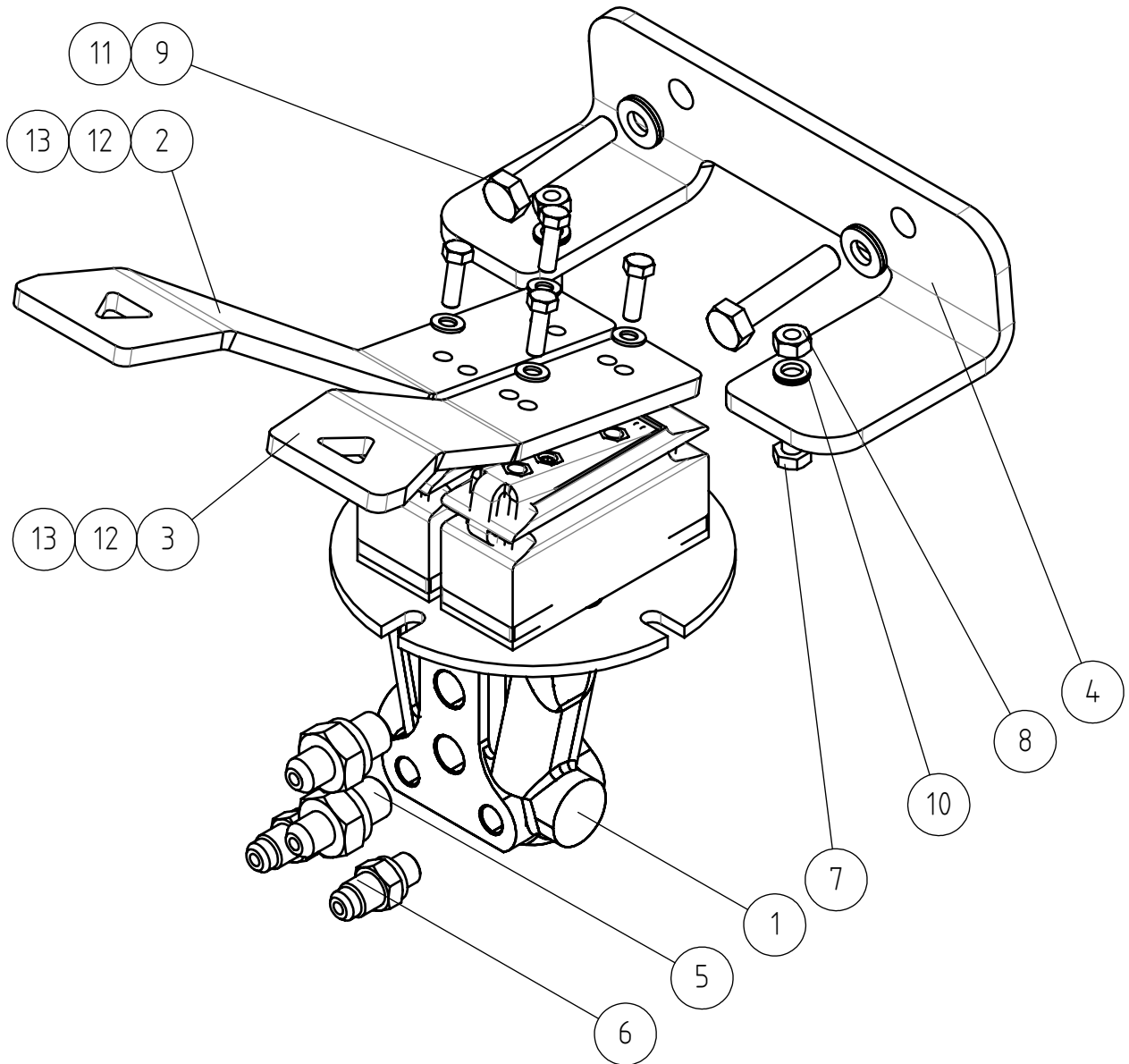
30.6.2022

**A452815 HYDRAULIC HOSES ORBITROL 600-700 SERIES**

REF	PART NO	QTY	DESCRIPTION	NOTES	PAGE
1	A48210	1	HYDR. HOSE L=1110		-
2	A414362	2	HYDR. HOSE L=960		-
3	73757	4	USIT COMPRESSION R1/4"		-
4	64557	2	BANJO BOLT R 1/4"		-
5	A410017	1	HYDR. HOSE L=400		-
6	A434550	2	HYDR. HOSE L=1900		-
7	A429679	1	HOSE FITTING 08 UNF 3/4"		-

30.6.2022

# A440870 DRIVE PEDAL ASSEMBLY 700 SERIES



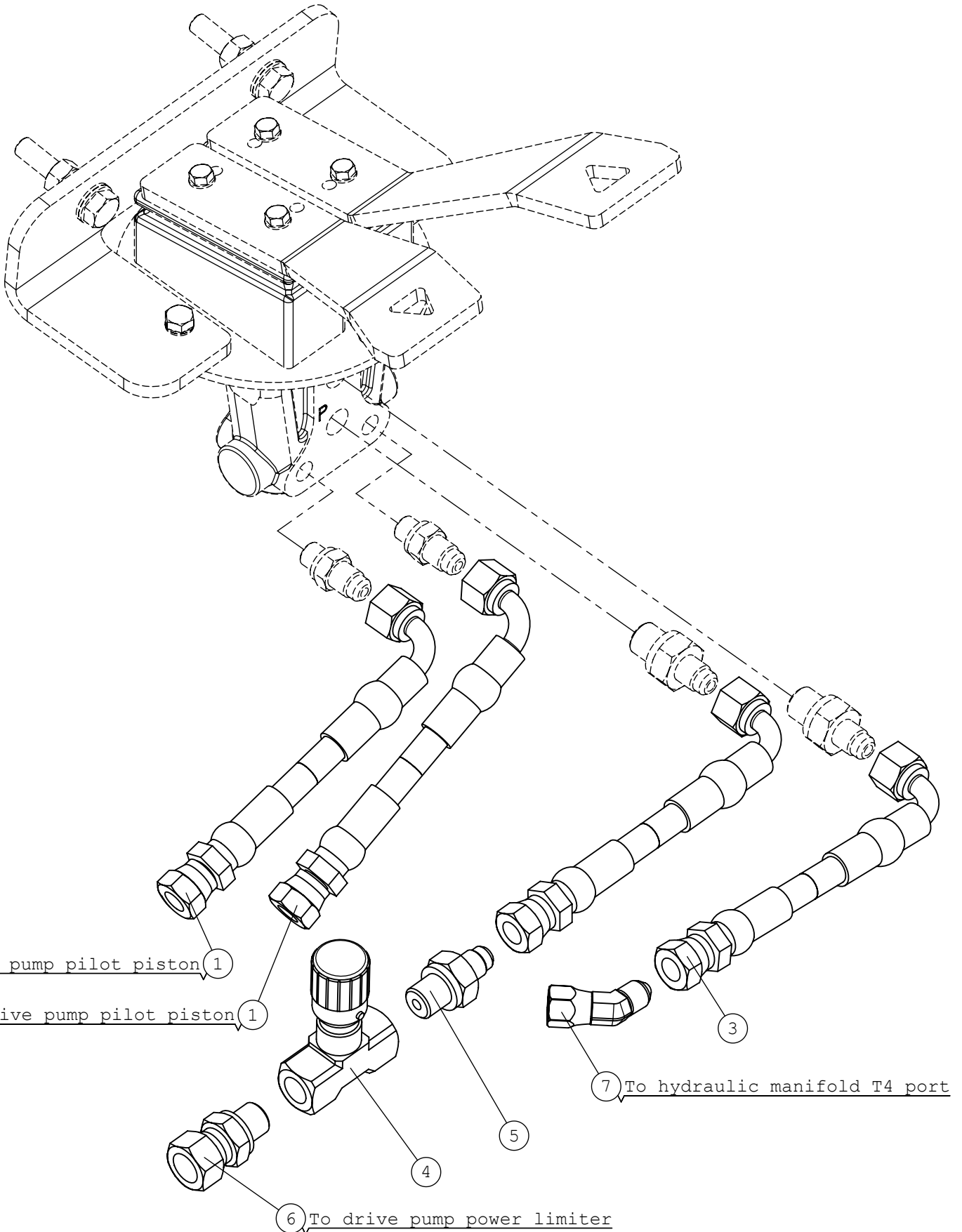
30.6.2022

**A440870 DRIVE PEDAL ASSEMBLY 700 SERIES**

REF	PART NO	QTY	DESCRIPTION	NOTES	PAGE
1	A432973	1	HYDRAULIC PEDALS 2-16BAR MICROSWITCH 5A		-
1.1	A445449	2	MICROSWITCH 5A WITH WIRE		-
2	A47550	1	DRIVE PEDAL, LEFT		-
3	A47551	1	DRIVE PEDAL, RIGHT		-
4	A47247	1	BRACKET, DRIVE PEDAL		-
5	64678	2	BASIC FITTING F40XS6-1/4"		-
6	64793	2	BASIC FITTING F40XS6-1/8"		-
7	72118	2	HEXAGONAL SCREW M6*20 DIN 933		-
8	72317	2	HEXAGONAL NUT M6 DIN 934		-
9	73222	2	HEXAGONAL SCREW M8*40 DIN 933		-
10	74530	2	WASHER NORDLOCK NL6		-
11	63944	2	WASHER, PAIR, NORD-LOCK M8		-
12	72110	4	HEX. SCREW M5*16 DIN 933		-
13	74448	4	WASHER M5 A5,3 DIN 125 ZN		-

30.6.2022

# A422190 HYDR. HOSES DRIVE PEDAL 700 SERIES





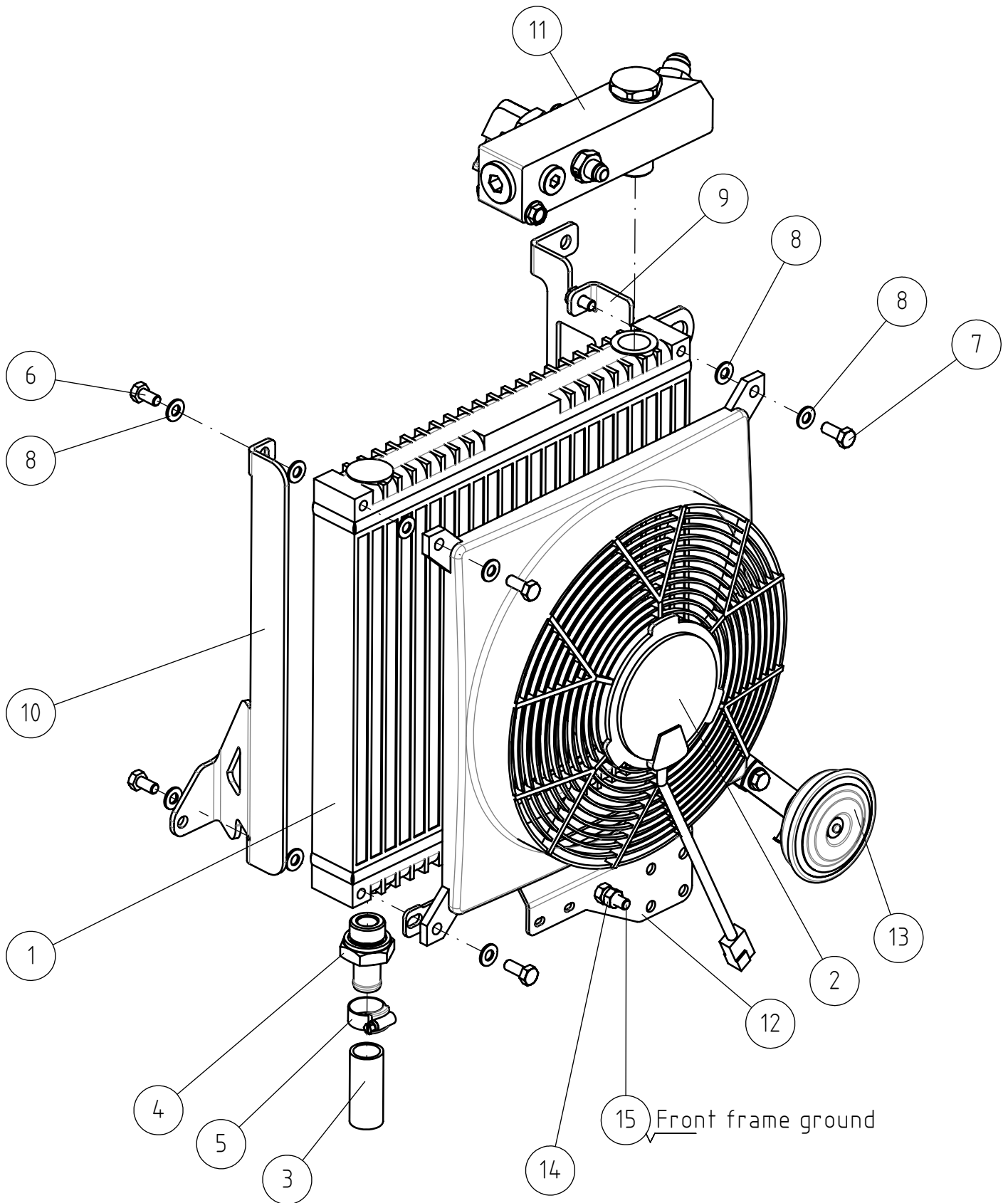
30.6.2022

**A422190 HYDR. HOSES DRIVE PEDAL 700 SERIES**

REF	PART NO	QTY	DESCRIPTION	NOTES	PAGE
1	A422164	2	HYDR. HOSE L=1240		-
2	A410274	1	HYDR. HOSE L=1120		-
3	A47643	1	HYDR. HOSE L=430 TYPE 087-3/16" JIC6-		-
4	63879	1	CHECK VALVE 9N400S R1/4"-R1/4"		-
5	64678	1	BASIC FITTING F40XS6-1/4"		-
6	64060	1	CONNECTOR NIPPLE F64XS10-1/4		-
7	65587	1	ELBOW FITTING 45° UNF 7/16" JIC		-

30.6.2022

# A446008 HYDRAULIC OIL COOLER ASSEMBLY 500-700



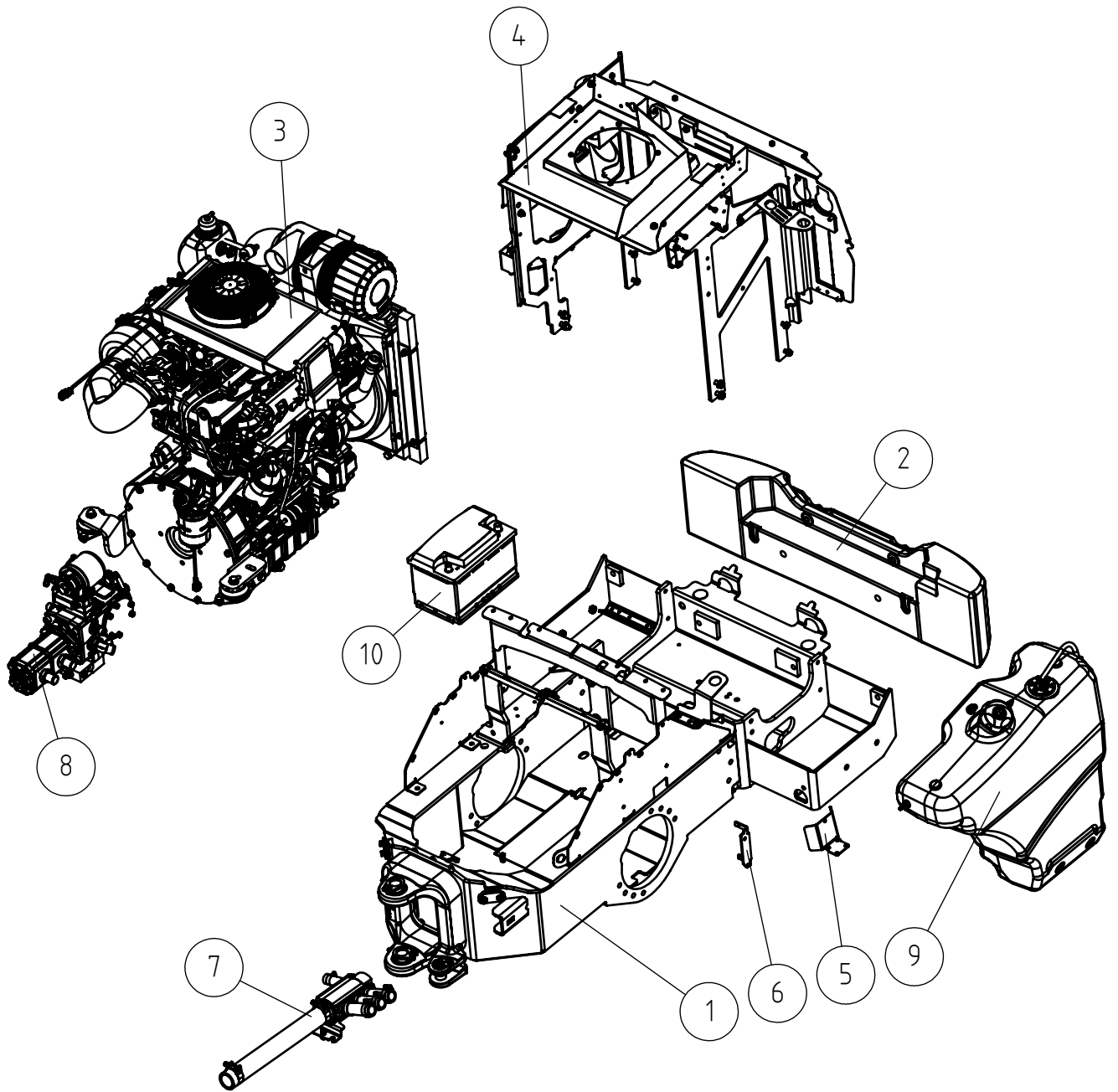
30.6.2022

**A446008 HYDRAULIC OIL COOLER ASSEMBLY 500-700**

REF	PART NO	QTY	DESCRIPTION	NOTES	PAGE
1	64934	1	OIL COOLER CELL ASA 350*350*45		-
2	65568	1	FAN, HYDRAULIC OIL COOLER COMEX F48-		-
3	A49182	1	INLET HOSE D=20 L=550		-
4	66427	1	HOSE BARB R3/4"UK - 20MM		-
5	73530	1	HOSE CLAMP 22-32 MM		-
6	73039	4	HEXAGONAL SCREW M 8*16 DIN 933 ZN		-
7	72130	4	HEXAGONAL SCREW M8*20		-
8	73122	14	WASHER M8 A8,4 DIN 125 ZN		-
9	A446011	1	BRACKET, UPPER, HYDR. OIL COOLER		-
10	A446012	1	BRACKET, LOWER, HYDR. OIL COOLER		-
11	A449648	1	HYDRAULIC MANIFOLD ASSEMBLY		-
12	A449902	1	BRACKET ACCUMULATOR		-
13	64157	1	SIGNAL HORN COMPLETE		-
14	72319	2	HEXAGONAL NUT M8 DIN 934		-
15	72133	1	HEXAGONAL SCREW M8*30 DIN 933		-

30.6.2022

# A438827 REAR FRAME 755I/760I STAGE V, ASSEMBLY



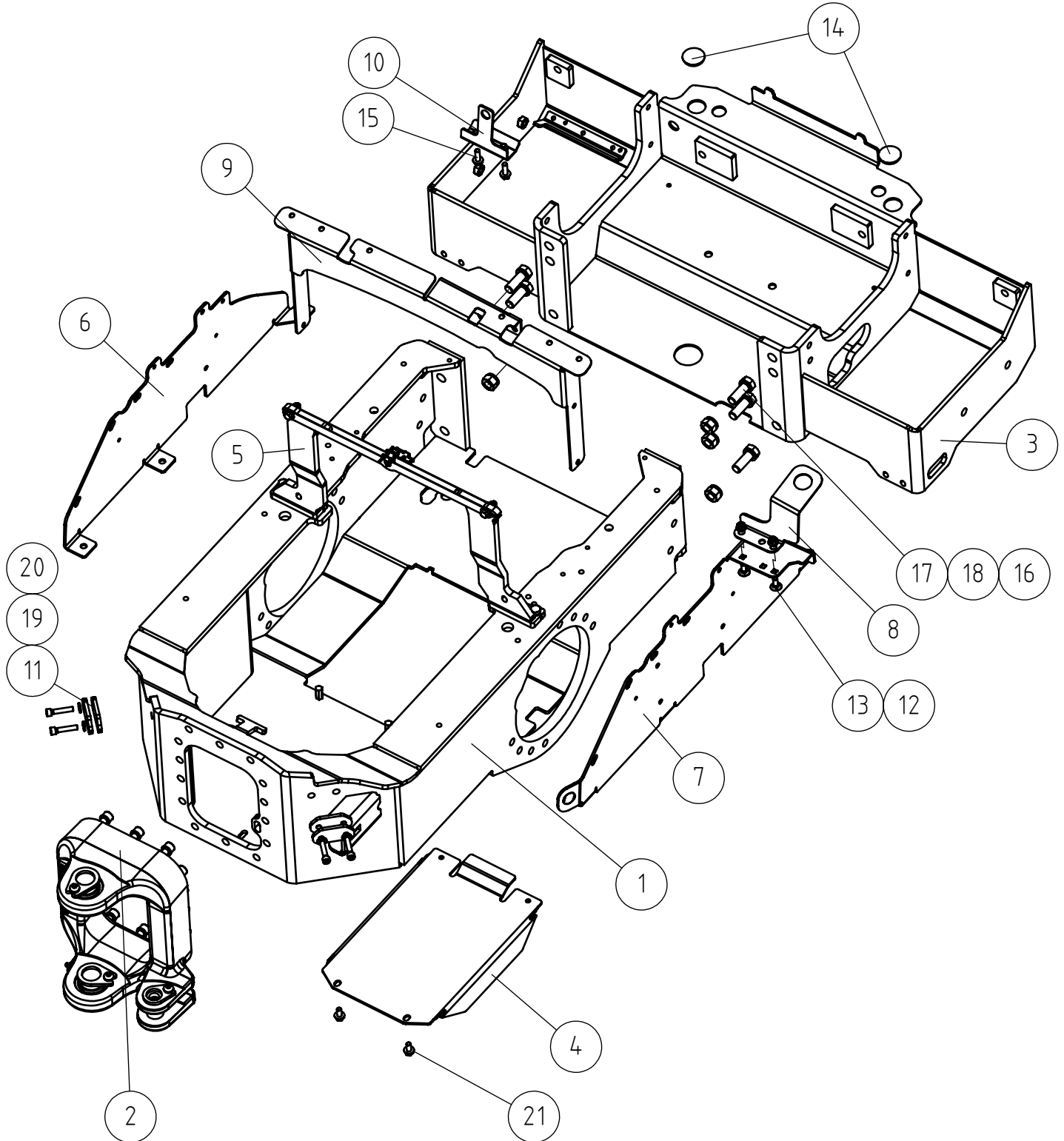
30.6.2022

**A438827 REAR FRAME 755I/760I STAGE V, ASSEMBLY**

REF	PART NO	QTY	DESCRIPTION	NOTES	PAGE
1	A441337	1	REAR CHASSIS ASSEMBLY 700 SERIES		42
2	A36913	1	REAR WEIGHT (BUMPER) 168 KG, ASSEMBLY		48
3	A437479	1	ENGINE 1903TCR STAGE V 860I 2600RPM ASSE		50
4	A437466	1	ENGINE BAY KOHLER KDI STG5 T4F 700-800		60
5	A419648	1	GUIDE PLATE 755I/760I		-
6	A417712	1	BRACKET, WIRE HARNESS ENGINE, 760I		-
7	A37242	1	HYDRAULIC MANIFOLD ASSEMBLY 400-800 SER		62
8	A429274	1	HYDRAULIC PUMPS ASSEMBLY 755/760 OPTIDRI		64
9	A436129	1	FUEL TANK ASSEMBLY 66L		68
10	A438875	1	BATTERY 12V 77AH, 760A		-

30.6.2022

# A441337 REAR CHASSIS ASSEMBLY 700 SERIES



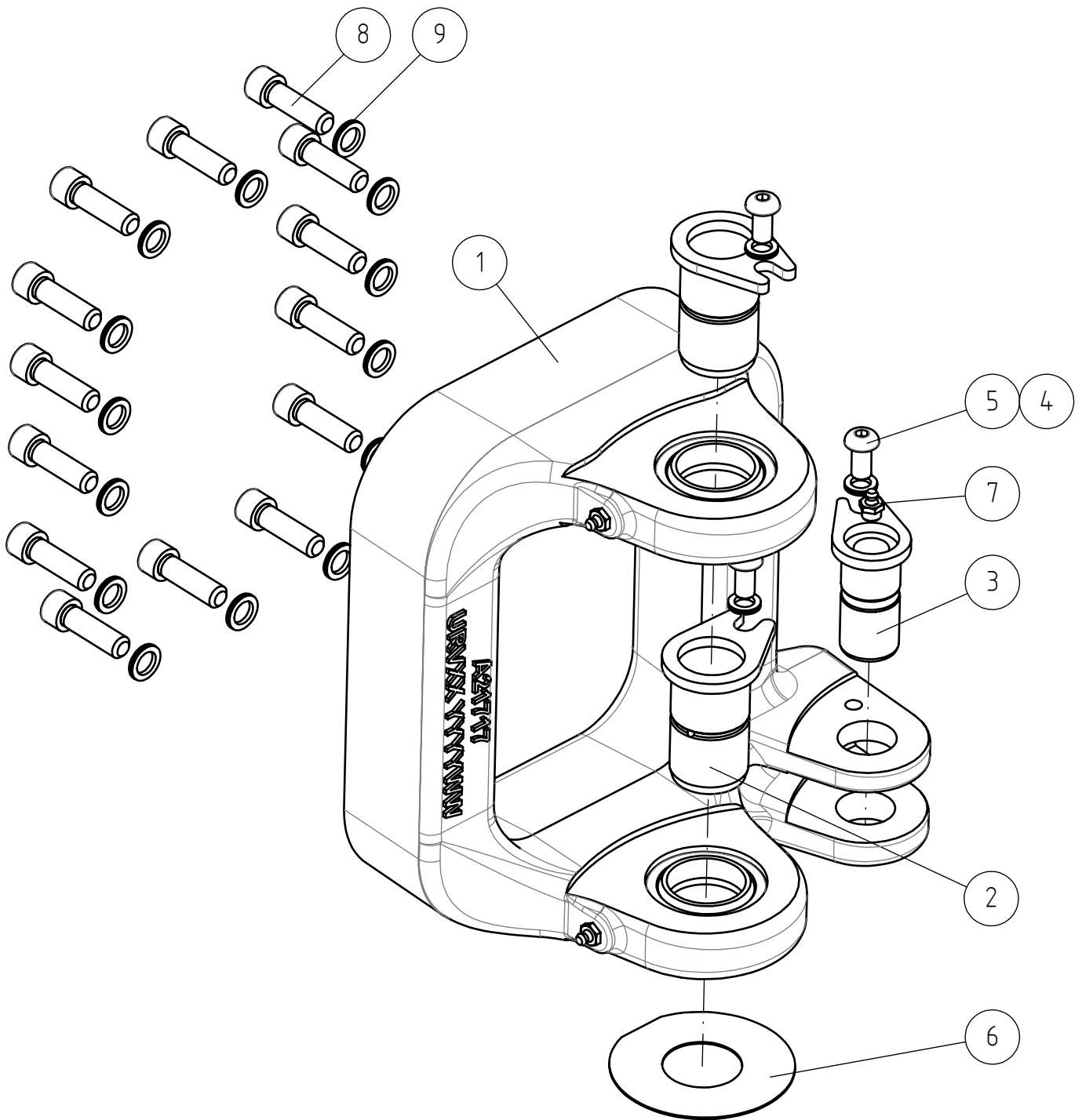
30.6.2022

**A441337 REAR CHASSIS ASSEMBLY 700 SERIES**

REF	PART NO	QTY	DESCRIPTION	NOTES	PAGE
1	A430885	1	BACK FRAME, FRONT PART 700 SERIES		-
2	A37449	1	ARTICULATION JOINT ASSEMBL REAR FRAME		44
3	A446037	1	REAR FRAME, MIDDLE PART 700/800 SERIES		-
4	A446658	1	SERVICE HATCH 400-700 SERIES		-
5	A415984	1	LOAD SENSOR SYSTEM, COMPLETE ASSEMBLY		46
6	A437435	1	SIDE PLATE RIGHT REAR FRAME 800 STAGE 5		-
7	A437437	1	SIDE PLATE LEFT REAR FRAME 800 STAGE 5		-
8	A437442	1	BRACKET FUEL TANK STAGE 5 700-800 SER		-
9	A437460	1	BRACKET COVER PLATES REAR STG5 700-800		-
10	A437653	1	BRACKET, BATTERY 700-800 SER		-
11	A442049	4	STOP PLATE STEERING		-
12	74782	2	HEXAGONAL NUT M8 WITH FLANGE		-
13	74836	2	CARRIAGE BOLT M8*20		-
14	65944	2	RUBBER PLUG F40/F32-12 S=5		-
15	A429202	2	HEXAGONAL SERRATED SCREW M8*25 WITH FLAN		-
16	74533	12	WASHER, PAIR, M16 NL16 NORDLOCK		-
17	A439220	6	HEXAGONAL SCREW M16*45 10.9 DIN 933		-
18	A439252	6	HEXAGONAL NUT M16 10.9 DIN 934		-
19	63944	4	WASHER, PAIR, NORD-LOCK M8		-
20	74918	4	HEXAGONAL HEAD SCREW M8*40 DIN 912		-
21	A429200	2	HEXAGONAL SERRATED SCREW M8*16 WITH FLAN		-

30.6.2022

# A37449 ARTICULATION JOINT ASSEMBL REAR FRAME





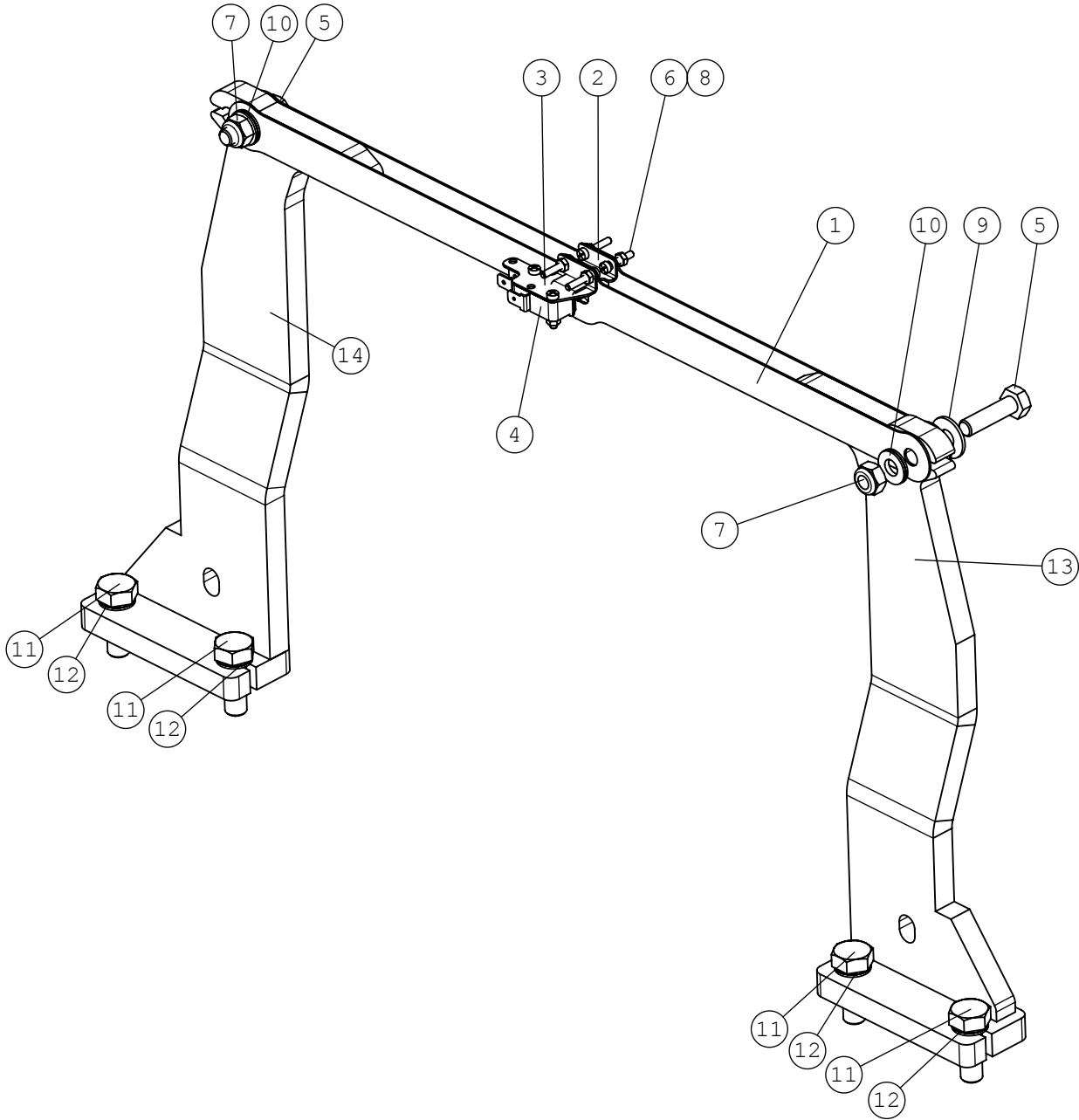
30.6.2022

**A37449 ARTICULATION JOINT ASSEMBL REAR FRAME**

REF	PART NO	QTY	DESCRIPTION	NOTES	PAGE
1	A444363	1	ARTICULATION JOINT CAST STEEL, ASSEMBLY		-
1.1	64911	2	ARTICUL. BEARING GE40ES F62/40-28(22)		-
2	72798	1	GREASE NIPPLE R 1/8" STRAIGHT		-
3	A47043	2	PIVOT PIN F40-63		-
4	A47655	1	PIVOT PIN F30-60		-
5	74531	3	SPACER NORDLOCK M10, PAIR		-
6	A437915	3	HEXAGONAL HEAD SCREW M10*20 10.9 2		-
7	A48263	1	SHIM RING S=1 MM, ARTICULATION JOINT		-
8	A437018	14	HEXAGONAL HEAD SCREW M12*40 12.9		-
9	74532	14	WASHER NORDLOCK NL12		-

30.6.2022

# A415984 LOAD SENSOR SYSTEM, COMPLETE ASSEMBLY



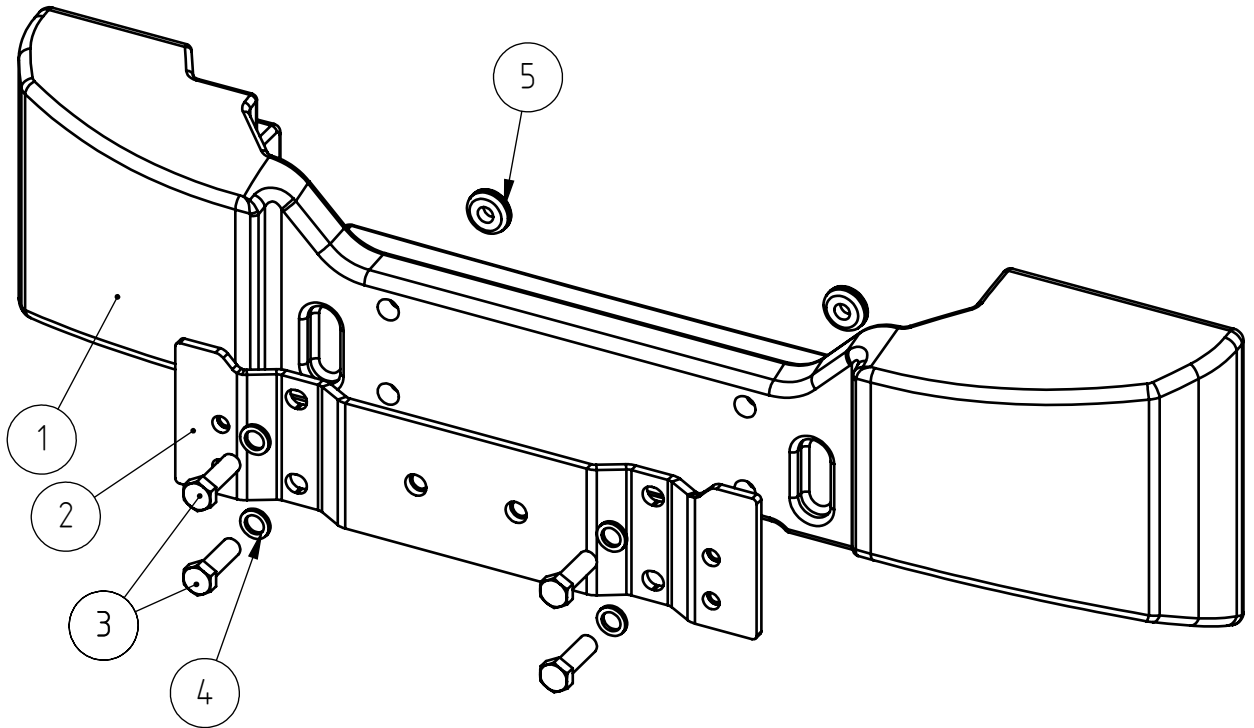
30.6.2022

**A415984 LOAD SENSOR SYSTEM, COMPLETE ASSEMBLY**

REF	PART NO	QTY	DESCRIPTION	NOTES	PAGE
1	A47912	2	BAND		-
2	A47908	1	CLAW		-
3	A47909	1	BRACKET, MICROSWITCH		-
4	64504	1	MICROSWITCH OMRON V155-1C5, REVERSE BEEPE		-
5	72133	2	HEXAGONAL SCREW M8*30 DIN 933		-
6	74576	6	PAN HEAD MACHINE SCREW M3*16		-
7	72320	2	HEXAGONAL NUT M8 NYLOC DIN 985		-
8	74535	6	HEXAGONAL NUT M3		-
9	74525	2	WASHER M8 8,4*20*1,25 ZN		-
10	63944	2	WASHER, PAIR, NORD-LOCK M8		-
11	72151	4	HEXAGONAL SCREW M10*30 DIN 933 ZN		-
12	74531	4	SPACER NORDLOCK M10, PAIR		-
13	A419581	1	LEVER, LEFT, LOAD SENSOR 600/700		-
14	A419596	1	LEVER, RIGHT, LOAD SENSOR 600/700		-

30.6.2022

# A36913 REAR WEIGHT (BUMPER) 168 KG, ASSEMBLY



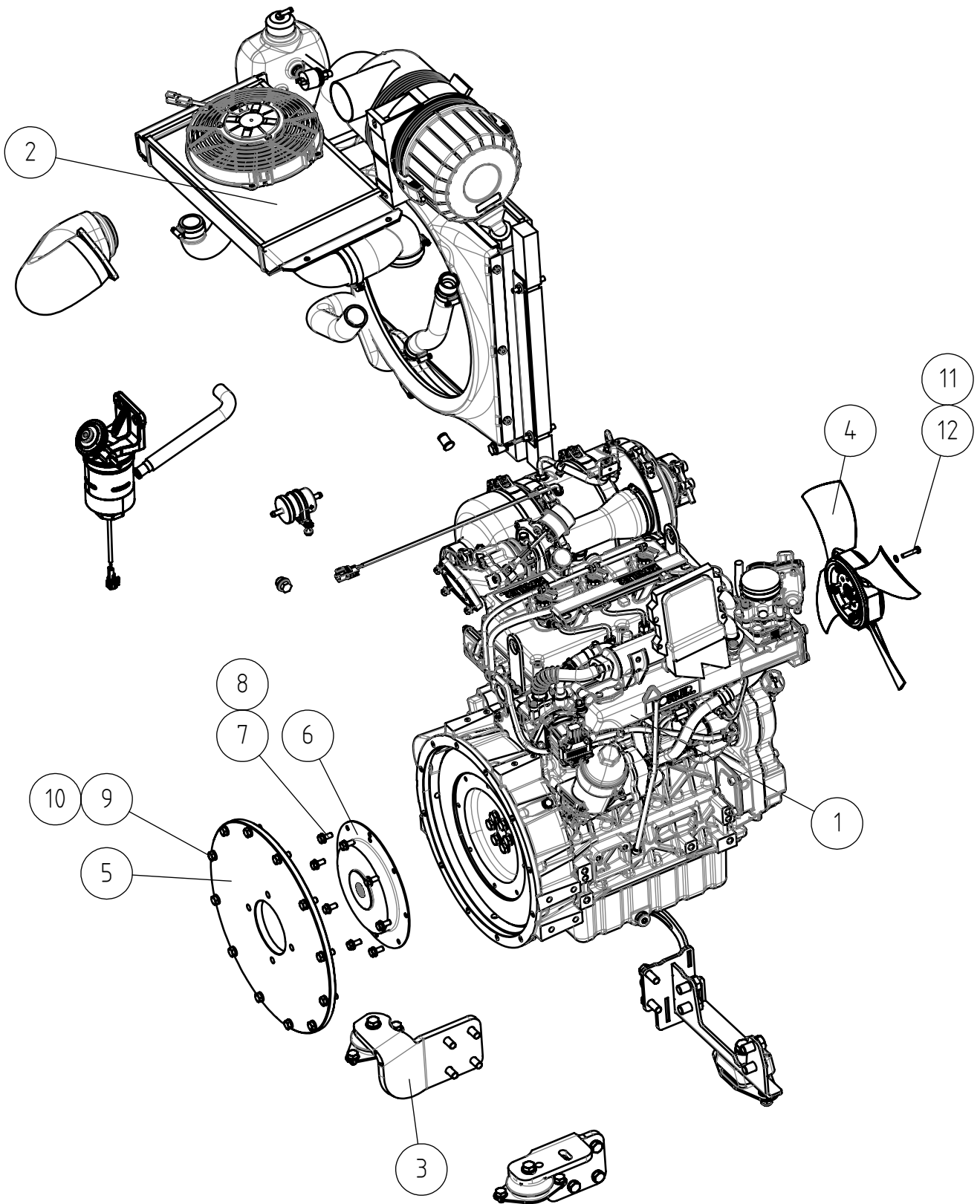
30.6.2022

**A36913 REAR WEIGHT (BUMPER) 168 KG, ASSEMBLY**

REF	PART NO	QTY	DESCRIPTION	NOTES	PAGE
1	A36641	1	REAR WEIGHT (BUMPER) 168 KG		-
2	A419683	1	MOUNTING PLATE, BACK WEIGHT 29 KG		-
3	72193	4	HEXAGONAL SCREW M16* 50 DIN 933		-
4	74533	4	WASHER, PAIR, M16 NL16 NORDLOCK		-
5	A423105	2	PRESS NUT M16 37 MM		-

30.6.2022

**A437479 ENGINE 1903TCR STAGE V 860I 2600RPM ASSE**



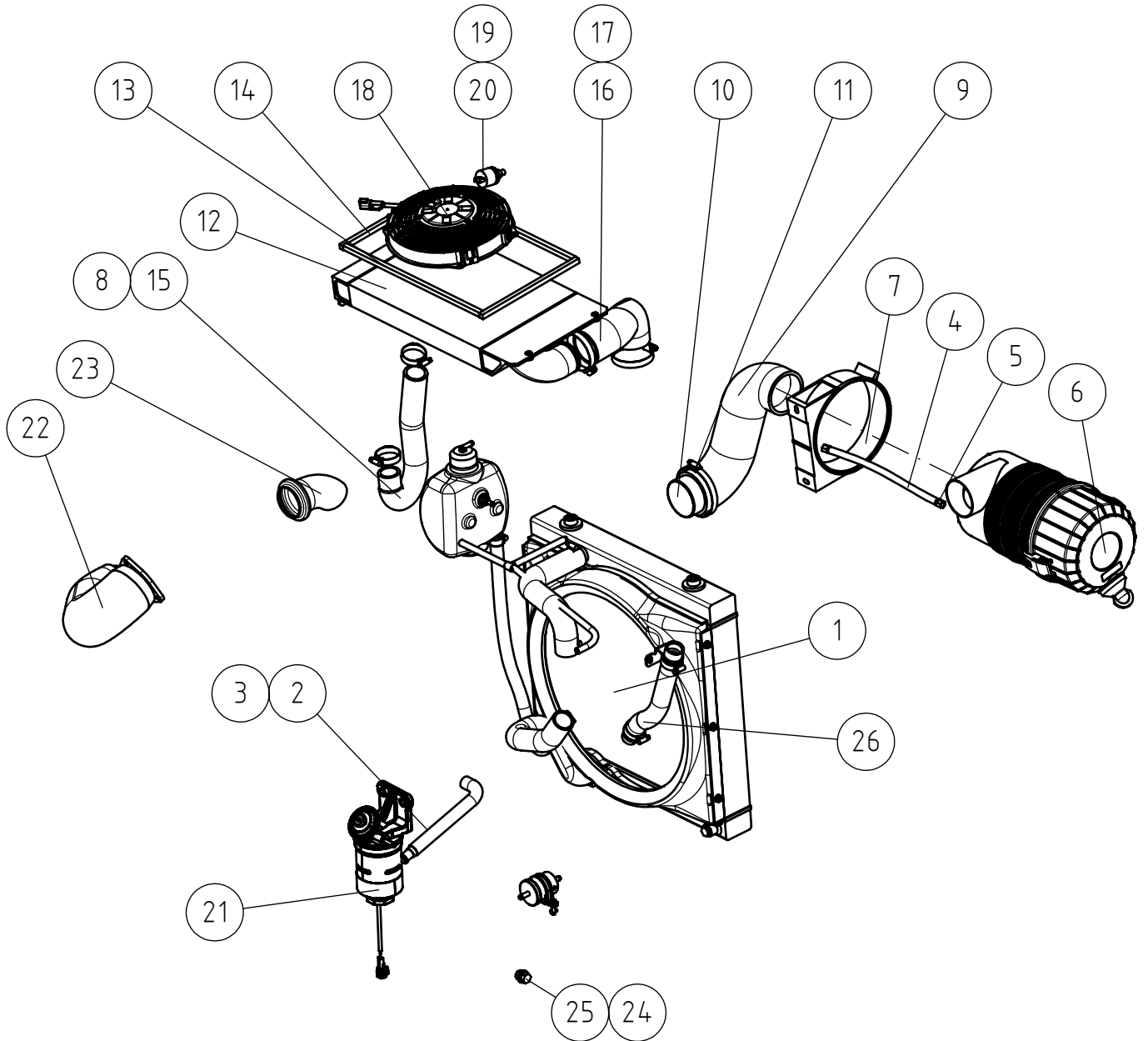
30.6.2022

**A437479 ENGINE 1903TCR STAGE V 860I 2600RPM ASSE**

REF	PART NO	QTY	DESCRIPTION	NOTES	PAGE
1	A433477	1	ENGINE 1903TCR 860I STAGE V 2600RPM		-
2	A442043	1	ACCESSORIES ENGINE KOHLER STAGE 5		52
3	A441869	1	MOUNTING BRACKETS ENGINE KOHLER KDI		58
4	66451	1	FAN F390 4 BLADE		-
5	66508	1	FLYWHEEL HOUSING BONDIOLI/KOHLER SAE B		-
6	66510	1	COUPLING Z=15 BONDIOLI / KOHLER KDI		-
7	74849	8	HEXAGONAL SCREW UNC 5/16"* 3/4"		-
8	63944	8	WASHER, PAIR, NORD-LOCK M8		-
9	74974	12	HEXAGONAL SCREW UNC 3/8" * 1" DIN 933		-
10	74531	12	SPACER NORDLOCK M10, PAIR		-
11	74530	4	WASHER NORDLOCK NL6		-
12	73199	4	HEXAGONAL SCREW M6*30 DIN 933		-

30.6.2022

# A442043 ACCESSORIES ENGINE KOHLER STAGE 5





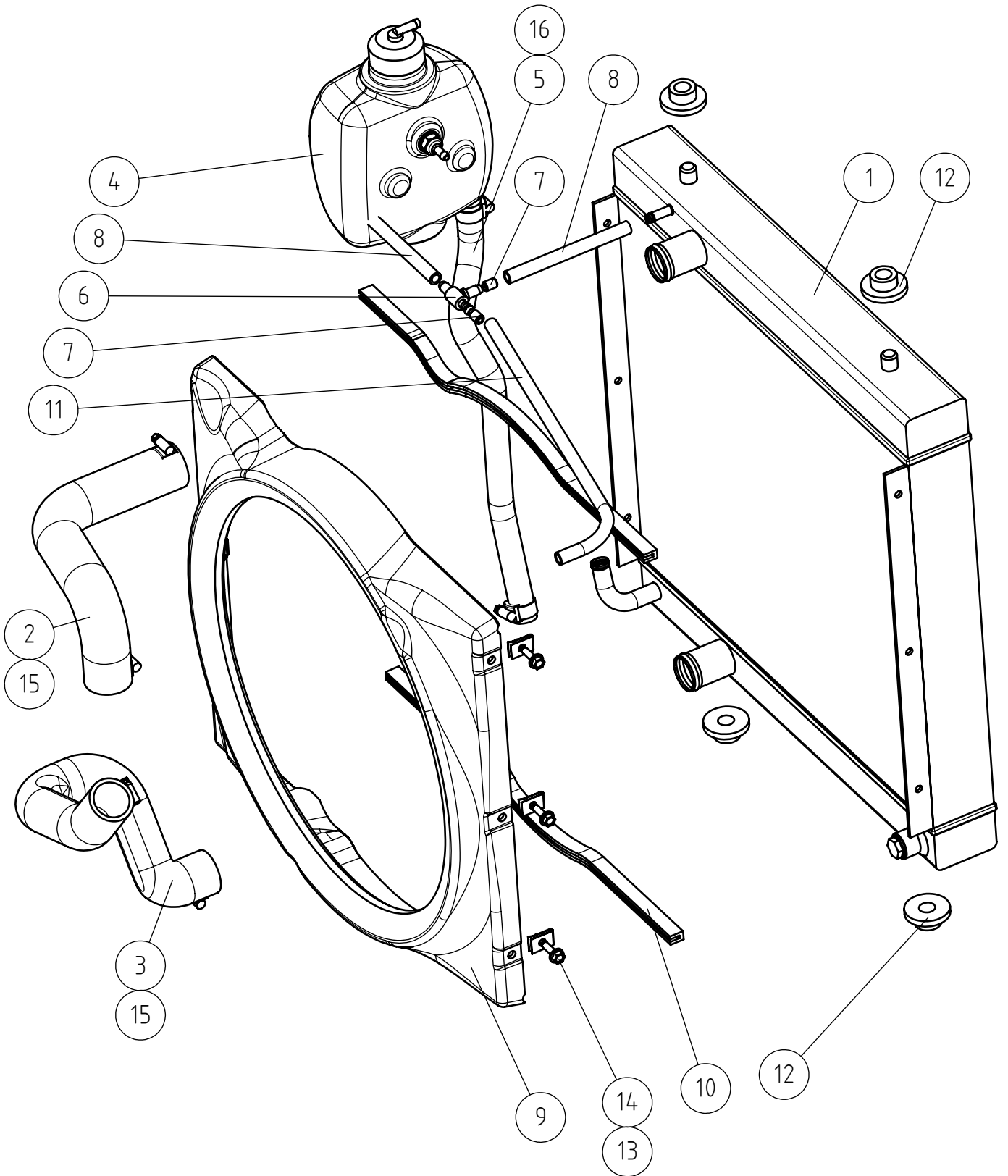
30.6.2022

**A442043 ACCESSORIES ENGINE KOHLER STAGE 5**

REF	PART NO	QTY	DESCRIPTION	NOTES	PAGE
1	A451363	1	RADIATOR ASSEMBLY KOHLER KDI 700-800		54
2	A419094	1	HOSE 90X190/16 MM		-
3	65558	1	PIPE CONNECTOR		-
4	A419104	1	WATER HOSE L=300		-
5	66101	2	HOSE BARB NPTF1/8"SK-1/4" L=24		-
6	65941	1	AIR FILTER COMPLETE AVANT 760I VIRGIS FR		-
6.1	66060	1	AIR FILTER CARTRIDGE, 760I VIRGIS CH07		-
6.2	66061	1	AIR FILTER, INNER SCREEN ELEMENT, 760I		-
7	65946	1	CLAMP, AIR FILTER 65941		-
8	A441329	2	HOSE CLAMP D35-50/12		-
9	A436271	1	INLET HOSE KOHLER KDI STAGE 5 700-800		-
10	A418655	1	BUSHING		-
11	64340	1	HOSE CLAMP ABA 87-112 MM		-
12	A35932	1	INTERCOOLER KOHLER KDI 1903 TCR		-
13	A438778	2	WEATHER STRIP L=390 700-800 SERIES		-
14	A438779	2	WEATHER STRIP L=250 700-800 SERIES		-
15	A417171	1	HOSE, INTERCOOLER IN		-
16	A436274	1	CHARGE AIR HOSE KOHLER KDI STG5 700-800		-
17	64339	2	HOSE CLAMP ABA 68-85 MM		-
18	A439887	1	FAN D225 BLOWING TYPE		-
19	65526	1	GROMMET F32/25/19		-
20	66045	1	DUST LOAD INDICATOR 52MBAR 46V/5W		-
21	A438649	1	FUEL HOSE ASSEMBLY STAGE 5 700-800 SER		-
22	A436177	1	EXHAUST PIPE ASSEMBL KOHLER KDI STAGE5		56
23	A432672	1	EXHAUST TIP KOHLER KDI STAGE 5		-
24	75173	1	SEAL RING COPPER F24/F18*1.5 DIN 7603		-
25	66497	1	DRAIN PLUG KOHLER KDI M18*1.5		-
26	A436335	1	OIL FILLER TUBE AVANT 700-800		-

30.6.2022

# A451363 RADIATOR ASSEMBLY KOHLER KDI 700-800



30.6.2022

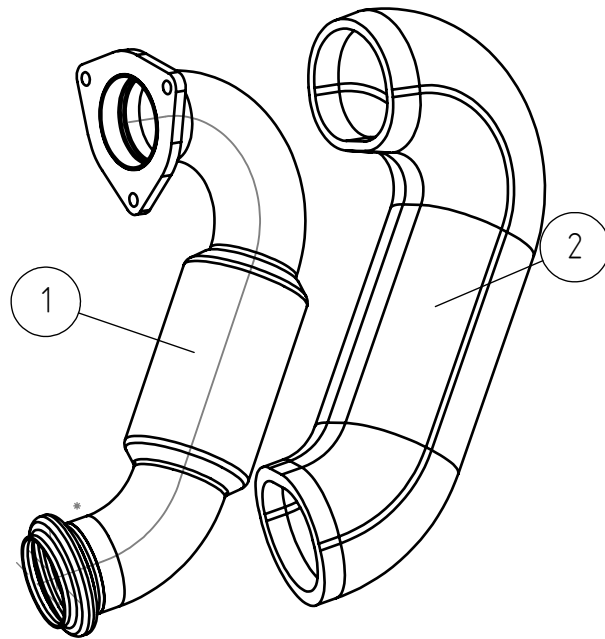
**A451363 RADIATOR ASSEMBLY KOHLER KDI 700-800**

REF	PART NO	QTY	DESCRIPTION	NOTES	PAGE
1	A443473	1	RADIATOR KUBOTA/KOHLER 635-800		-
2	A416559	1	WATER HOSE, UPPER		-
3	A422143	1	WATER HOSE, UPPER		-
4	A417223	1	OVERFLOW TANK 745-7601		-
4.1	66448	1	CAP EXPANSION TANK		-
5	A450939	1	WATER HOSE OVERFLOW TANK 700/800		-
6	A419103	1	T NIPPLE		-
7	A417903	2	FLOW RESTRICTOR		-
8	A417900	2	WATER HOSE L=130		-
9	A436008	1	WIND TUNNEL KOHLER KDI, 700-800 SERIES		-
10	A438764	1	EDGE STRIP WIND TUNNEL KOHLER KDI		-
11	A417902	1	WATER HOSE L=400		-
12	A420381	4	VIBRATION DAMPER, RUBBER, OIL COOLER		-
13	74807	6	SPEED NUT M6, FOR 0.5-4.0 MM PLATE		-
14	A431349	6	HEXAGONAL SERRATED SCREW M6*20 W. FLANG		-
15	73809	4	HOSE CLAMP 32-44 MM		-
16	64337	2	HOSE CLAMP 19-28 MM ABA		-

30.6.2022

---

**A436177 EXHAUST PIPE ASSEMBL KOHLER KDI STAGE5**



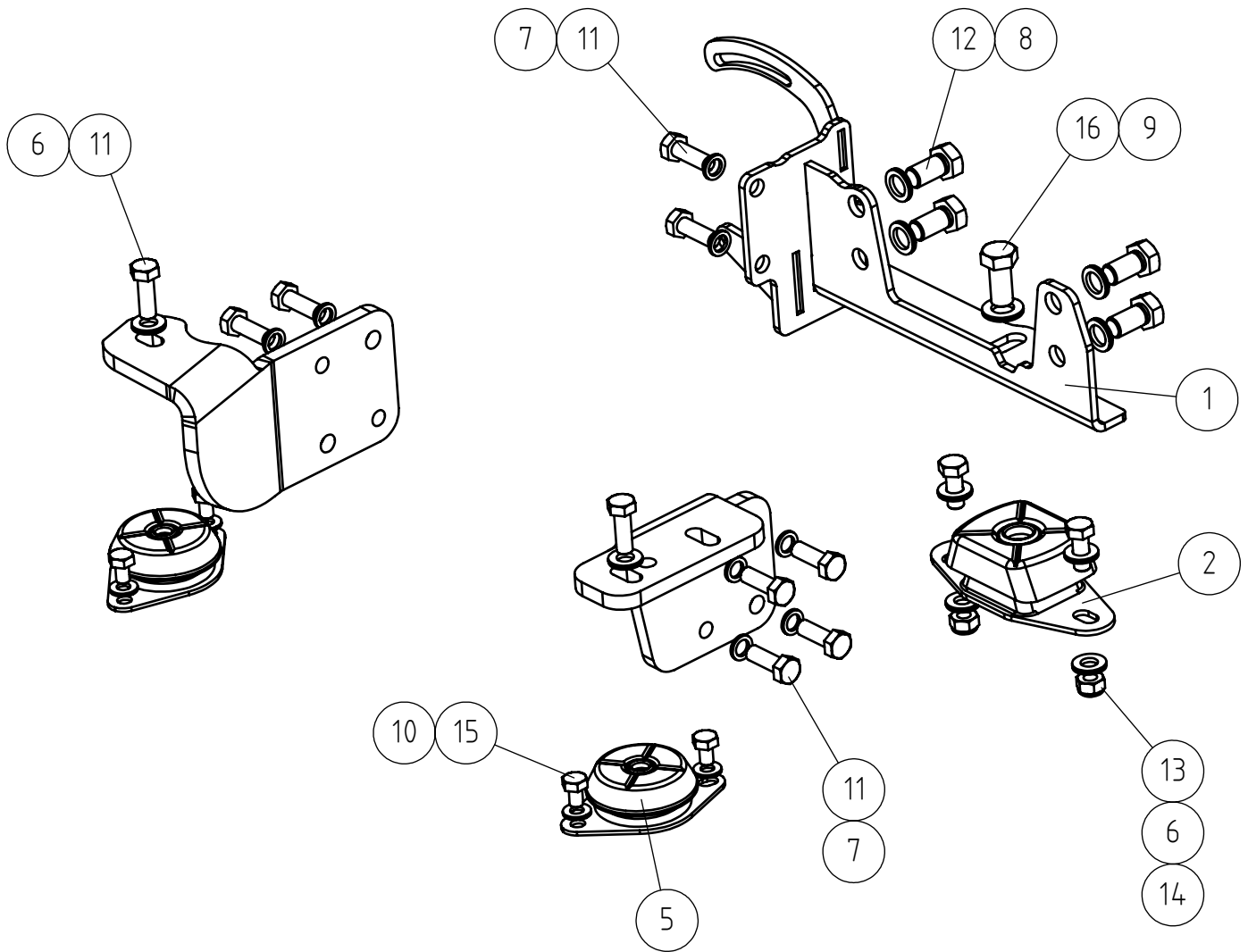
30.6.2022

**A436177 EXHAUST PIPE ASSEMBL KOHLER KDI STAGE5**

REF	PART NO	QTY	DESCRIPTION	NOTES	PAGE
1	A436161	1	EXHAUST MUFFLER KOHLER KDI STAGES5 DPF		-
2	A436229	1	HEAT SHIELD EXHAUST MUFFLER KOHLER KDI		-

30.6.2022

# A441869 MOUNTING BRACKETS ENGINE KOHLER KDI



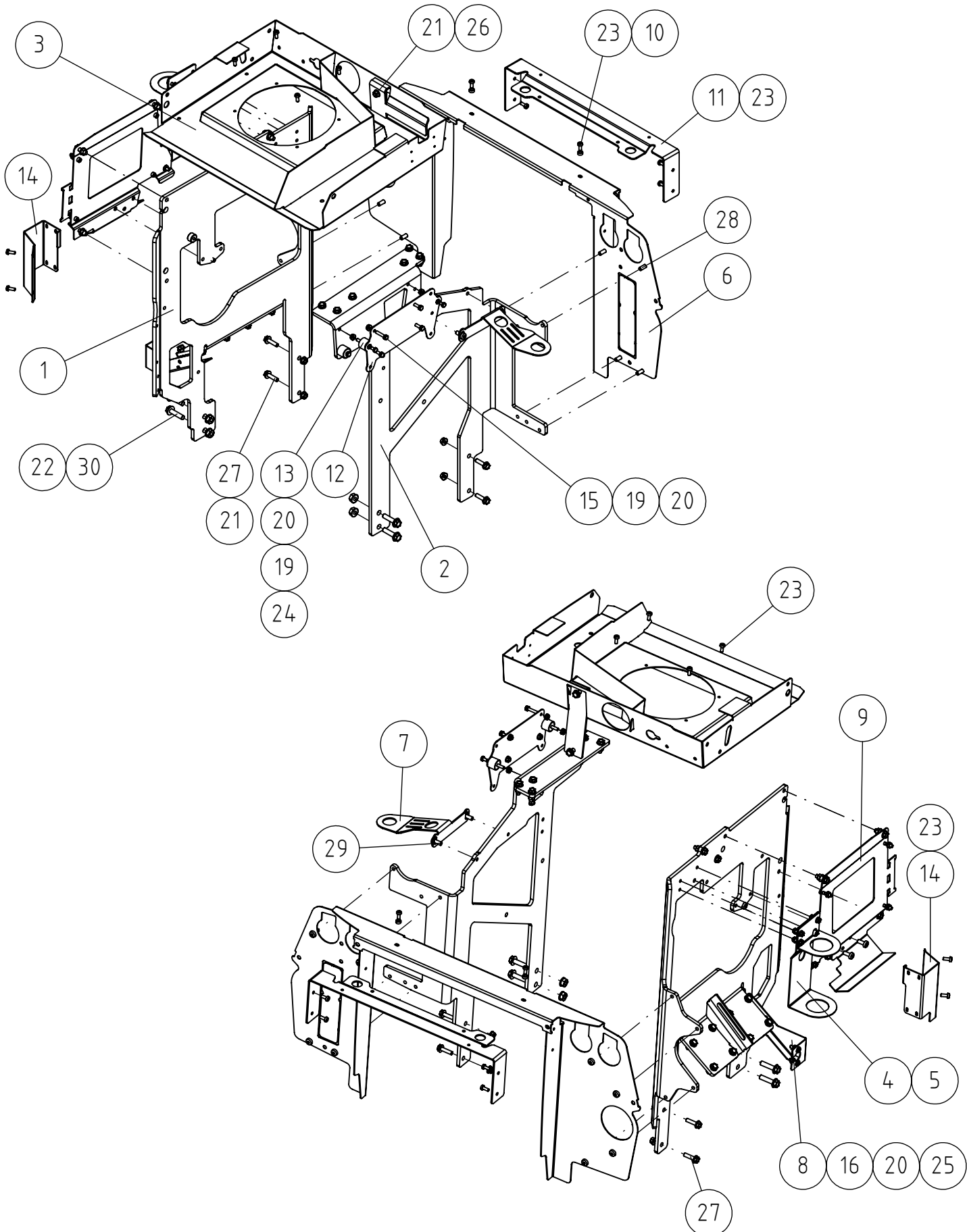
30.6.2022

**A441869 MOUNTING BRACKETS ENGINE KOHLER KDI**

REF	PART NO	QTY	DESCRIPTION	NOTES	PAGE
1	A426033	1	MOUNTING BRACKET REAR, ENGINE MOUNT		-
2	66512	1	ANTI VIBRATION MOUNT M16 F13/30-F13/22		-
3	A431506	1	MOUNTING BRACKET LEFT, ENGINE 860I		-
4	A430872	1	MOUNTING BRACKET RIGHT, ENGINE 860I		-
5	66381	2	ENGINE MOUNT RUBBER 60SH M12 AMC BRB		-
6	A430999	6	WASHER, PAIR, M12 NORDLOCK		-
7	74532	10	WASHER NORDLOCK NL12		-
8	74533	4	WASHER, PAIR, M16 NL16 NORDLOCK		-
9	75103	1	SPACER NORDLOCK M16 NL16SP, PAIR		-
10	75102	4	SPACER NORDLOCK M10 NL10SP, PAIR		-
11	73042	12	HEX. SCREW M12*35 DIN 933 ZN		-
12	74969	4	HEXAGONAL SCREW M16*1,5 -30 DIN961		-
13	72324	2	HEXAGONAL NUT M 12 NYLOC DIN 985		-
14	72167	2	HEXAGONAL SCREW M12*30 DIN 933		-
15	72147	4	HEXAGONAL SCREW M 10*16 DIN 933		-
16	74799	1	HEXAGONAL SCREW M16*35 DIN 933		-

30.6.2022

# A437466 ENGINE BAY KOHLER KDI STG5 T4F 700-800





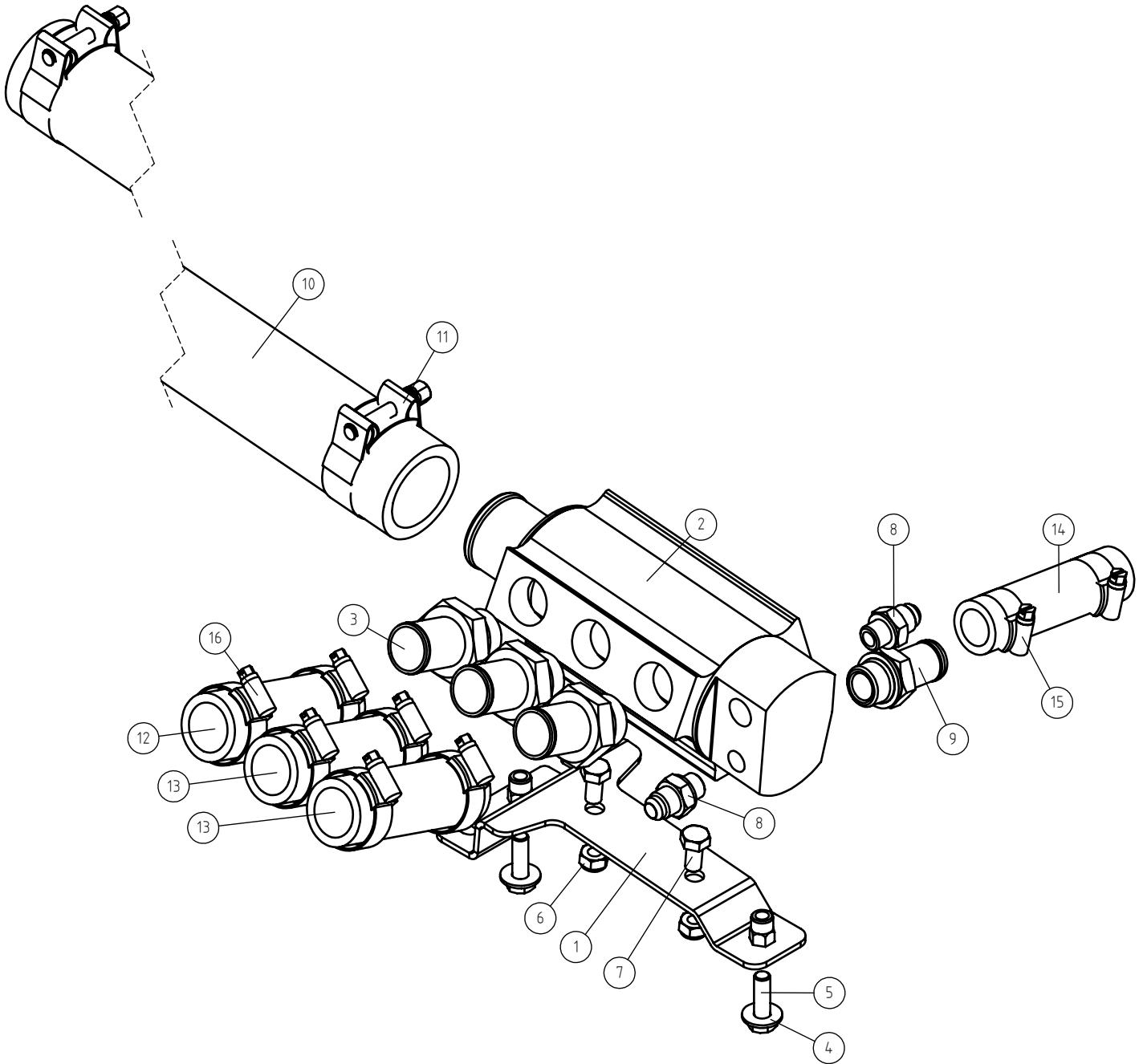
30.6.2022

**A437466 ENGINE BAY KOHLER KDI STG5 T4F 700-800**

REF	PART NO	QTY	DESCRIPTION	NOTES	PAGE
1	A438022	1	MOUNTING BRACKET LEFT ASSEMB 700-800 SER		-
2	A450944	1	MOUNTING BRACKET, LEFT		-
3	A435372	1	MOUNTING FRAME INTERCOOLER, ASSEMBLY		-
4	A417250	1	BRACKET		-
5	A417251	1	BRACKET, UPPER		-
6	A447575	1	COUNTER PLATE REAR GRILLE 700/800 SERIES		-
7	A437344	1	MOUNTING BRACKET FUEL TANK		-
8	A437721	1	BRACKET BATTERY DISCONNECT SWITCH		-
9	A438006	1	HEAT SHIELD KOHLER KDI 700-800 SER		-
10	A413429	2	SPACER		-
11	A446715	1	BRACKET UPPER RADIATOR 700/800 SERIES		-
12	A438414	1	BRACKET ECU ENGINE KOHLER KDI STAGE 5		-
13	A437028	4	VIBRATION DAMPER M6		-
14	A444369	1	HEAT SHIELD WIRE HARNESS 700/800 STAGE V		-
15	73199	4	HEXAGONAL SCREW M6*30 DIN 933		-
16	74768	2	WASHER MSS/NI M6		-
17	74481	1	HEXAGONAL HEAD SCREW M8*20 DIN 912 ZN		-
18	71880	4	HEXAGONAL HEAD SCREW M 6*25 DIN 912 2		-
19	74530	8	WASHER NORDLOCK NL6		-
20	74781	18	HEXAGONAL NUT M6 WITH FLANGE		-
21	74782	24	HEXAGONAL NUT M8 WITH FLANGE		-
22	74783	4	HEXAGONAL NUT M10 WITH FLANGE		-
23	75129	12	THREAD-FORMING SCREW M6*16 DIN 7500C		-
24	75161	4	HEXAGONAL SCREW M6*10 DIN 933		-
25	A426199	2	CROSS-SLOT COUNTRS. HEAD SCREW M6*25		-
26	A429202	21	HEXAGONAL SERRATED SCREW M8*25 WITH FLAN		-
27	A429203	4	HEXAGONAL SERRATED SCREW M8*30 WITH FLAN		-
28	A435496	13	THREAD-FORMING SCREW M8*20 DIN 7500C		-
29	A431349	4	HEXAGONAL SERRATED SCREW M6*20 W. FLANG		-
30	A432192	4	HEXAGONAL SERRATED SCREW M10*40 W. FLANG		-

30.6.2022

# A37242 HYDRAULIC MANIFOLD ASSEMBLY 400-800 SER



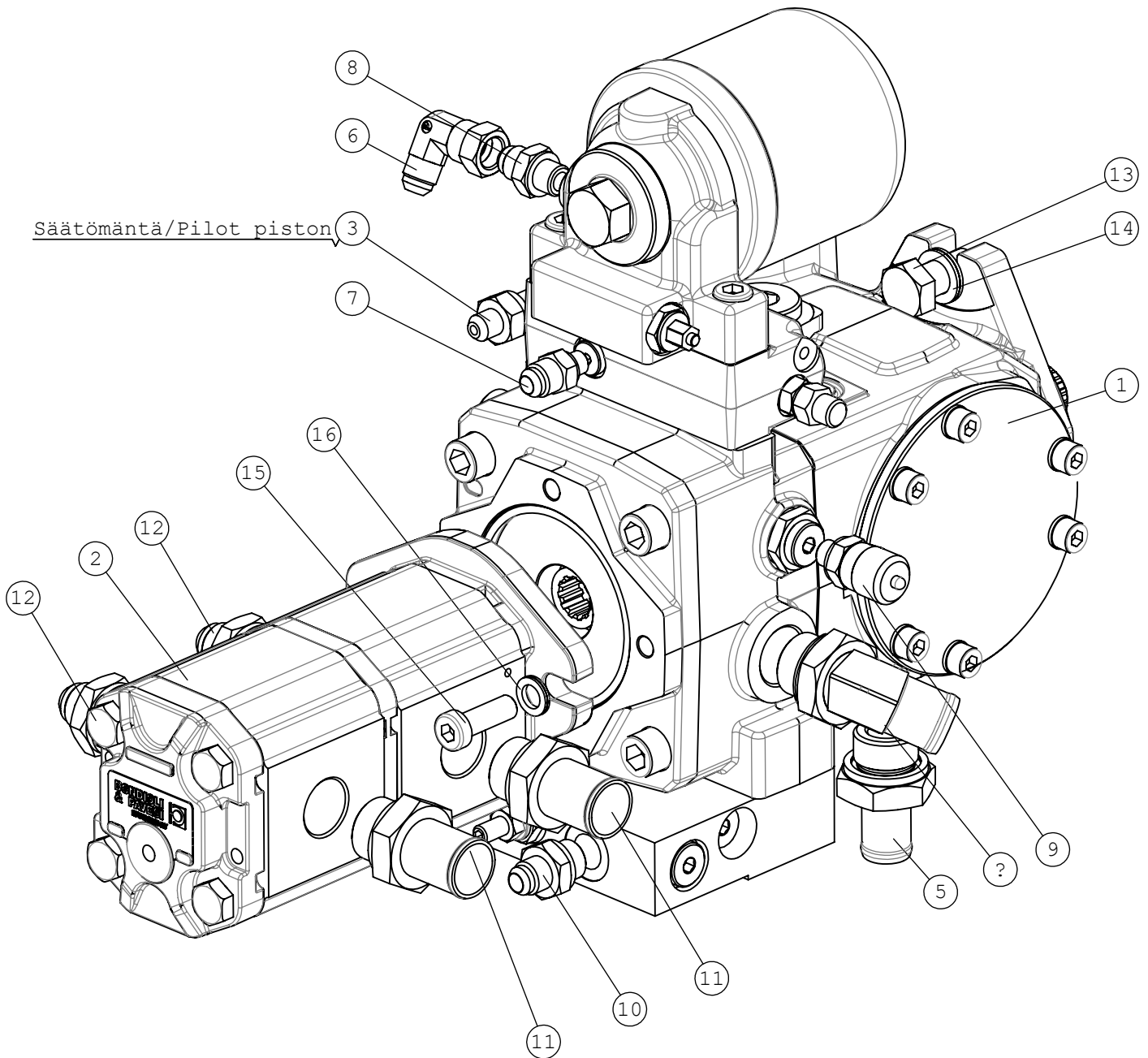
30.6.2022

**A37242 HYDRAULIC MANIFOLD ASSEMBLY 400-800 SER**

REF	PART NO	QTY	DESCRIPTION	NOTES	PAGE
1	A429660	1	MOUNTING BRACKET HYDRAULIC MANIFOLD		-
2	A37587	1	HYDRAULIC MANIFOLD ASSEMBLY 400-700 SER		-
3	66107	3	HOSE BARB R3/4"UK - 25 MM L=58		-
4	74525	2	WASHER M8 8,4*20*1,25 ZN		-
5	72132	2	HEXAGONAL SCREW M 8*25 DIN 933 ZN		-
6	72320	2	HEXAGONAL NUT M8 NYLOC DIN 985		-
7	73039	2	HEXAGONAL SCREW M 8*16 DIN 933 ZN		-
8	64059	2	BASIC FITTING F40XS10-1/4		-
9	66428	1	HOSE BARB R1/2"UK - 20MM		-
10	A410028	1	INLET HOSE F53/F40-440		-
11	66013	2	PIPE CLAMP POWER-FLEX S-048-		-
12	A436362	1	INLET HOSE L=600 D25 700/800 SER		-
13	A427080	2	INLET HOSE L=415 D25		-
14	A427305	1	INLET HOSE L=640 D19		-
15	73530	2	HOSE CLAMP 22-32 MM		-
16	73809	6	HOSE CLAMP 32-44 MM		-

30.6.2022

# A429274 HYDRAULIC PUMPS ASSEMBLY 755/760 OPTIDRI



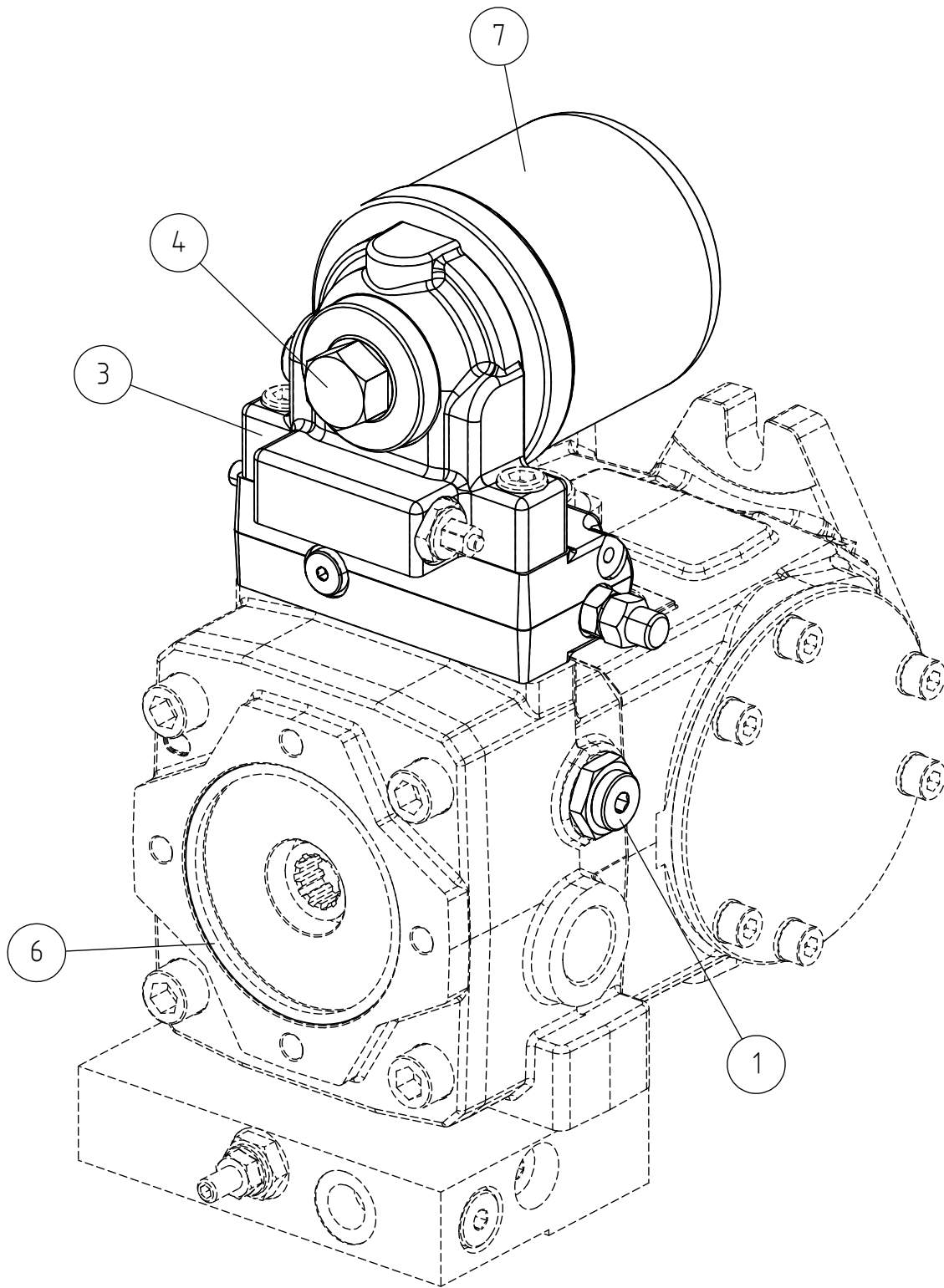
30.6.2022

**A429274 HYDRAULIC PUMPS ASSEMBLY 755/760 OPTIDRI**

REF	PART NO	QTY	DESCRIPTION	NOTES	PAGE
1	66355	1	VARIABLE DISPL. PUMP 755I/760I HP P4 046		66
1.1	64807	1	PRESSURE FILTER, HYDR. B&P 539047001		-
1.2	66414	1	FASTENING BOLT PRESSURE FILTER BONDIOLI		-
2	65942	1	HYDRAULIC PUMP HPLPB217/214		-
3	64678	2	BASIC FITTING F40XS6-1/4"		-
4	66362	1	HOSE BARB 45° R3/4"UK - 25MM		-
5	66427	1	HOSE BARB R3/4"UK - 20MM		-
6	64043	1	ELBOW FITTING 90° C6XS10		-
7	64346	1	BASIC FITTING F40XS10-1/8"		-
8	64059	1	BASIC FITTING F40XS10-1/4"		-
9	65559	2	MANOMETER FITTING M16*2		-
10	64041	1	BASIC FITTING F40XS10-3/8 /8		-
11	66107	2	HOSE BARB R3/4"UK - 25 MM L=58		-
12	64058	2	BASIC FITTING F40XS12-1/2"		-
13	74511	2	HEXAGONAL SCREW M14* 30 DIN 933		-
14	74690	2	WASHER NORDLOCK M14 NL14		-
15	74467	2	HEXAGONAL HEAD SCREW M10* 30 DIN 912		-
16	74531	2	SPACER NORDLOCK M10, PAIR		-

30.6.2022

66355 VARIABLE DISPL. PUMP 755I/760I HP P4 046



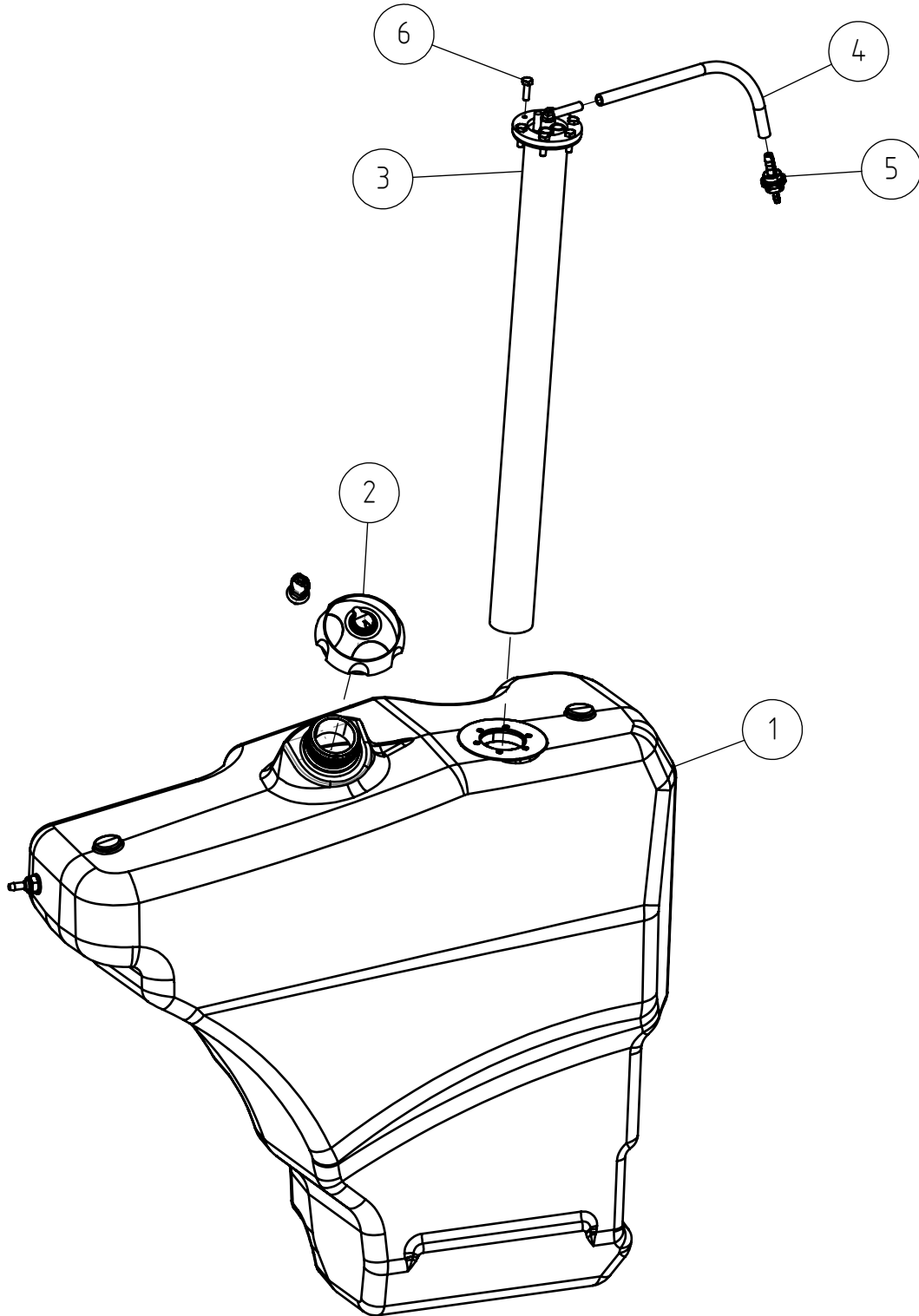
30.6.2022

**66355 VARIABLE DISPL. PUMP 755I/760I HP P4 046**

REF	PART NO	QTY	DESCRIPTION	NOTES	PAGE
1	A450691	2	VALVE CARTRIDGE 400BAR PRESSURE RELIEF		-
2	A451014	1	POWER LIMITER 2-WAY VARIABLE DISPL. PUMP		-
3	A451003	1	MOUNTING BRACKET PRESSURE FILTER		-
4	66414	1	FASTENING BOLT PRESSURE FILTER BONDIOLI		-
5	A451020	1	SEAL KIT VARIABLE DISPL. PUMP 66354		-
6	A442619	1	O-RING Ø 82,22X2,62 90 SH VARIABLE		-
7	64807	1	PRESSURE FILTER, HYDR. B&P 539047001		-
-	64807	1	PRESSURE FILTER, HYDR. B&P 539047001		-
-	66414	1	FASTENING BOLT PRESSURE FILTER BONDIOLI		-

30.6.2022

# A436129 FUEL TANK ASSEMBLY 66L





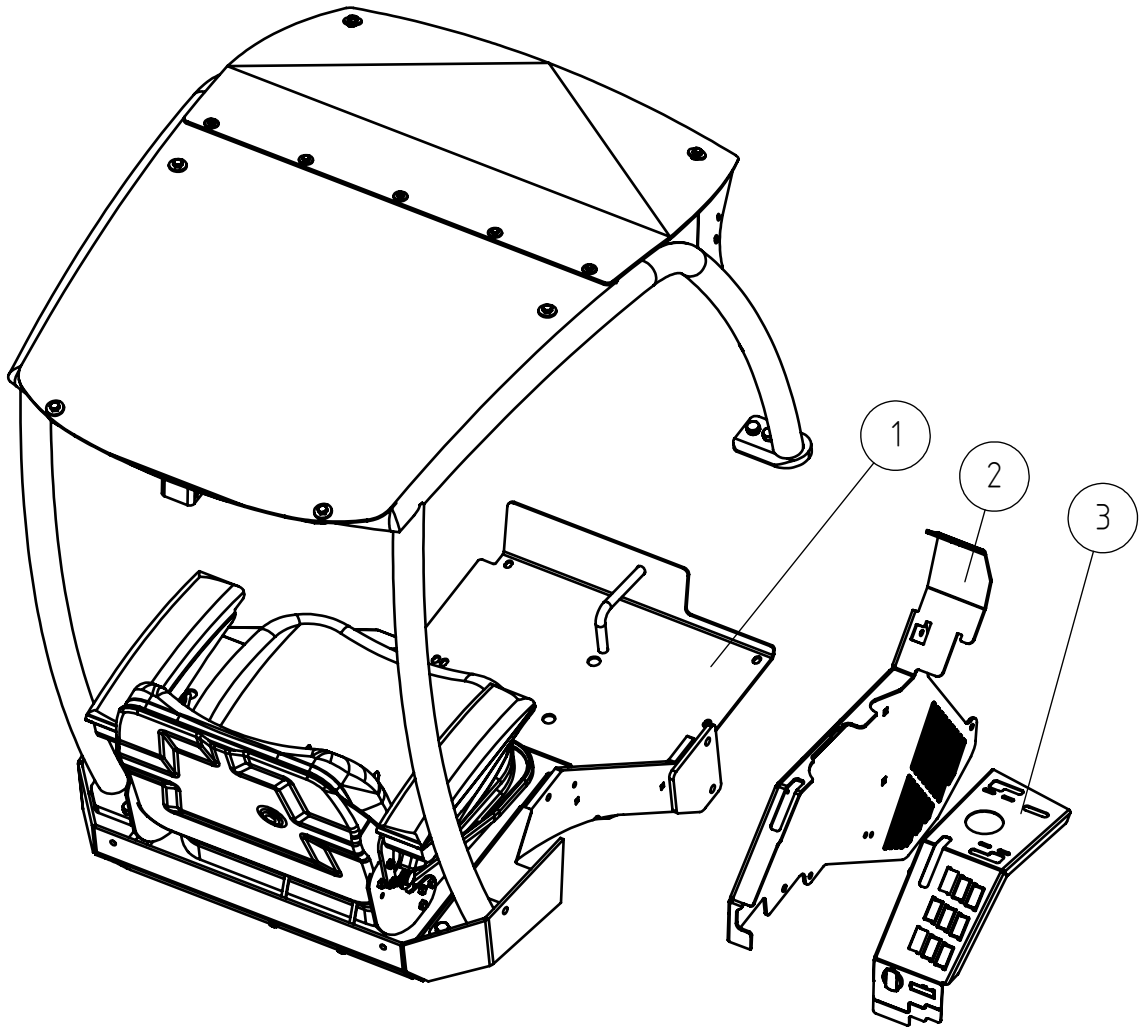
30.6.2022

**A436129 FUEL TANK ASSEMBLY 66L**

REF	PART NO	QTY	DESCRIPTION	NOTES	PAGE
1	A436127	1	FUEL TANK 66 LITRES		-
2	A410521	1	FUEL TANK CAP, LOCKABLE		-
3	A436296	1	SENSOR FUEL GAUGE		-
4	A422532	1	FUEL HOSE L=350		-
5	A422526	1	CHECK VALVE FUEL TANK		-
6	72118	6	HEXAGONAL SCREW M6*20 DIN 933		-

30.6.2022

# A452130 ROPS CAB ASSEMBLY 500-700 SERIES



30.6.2022

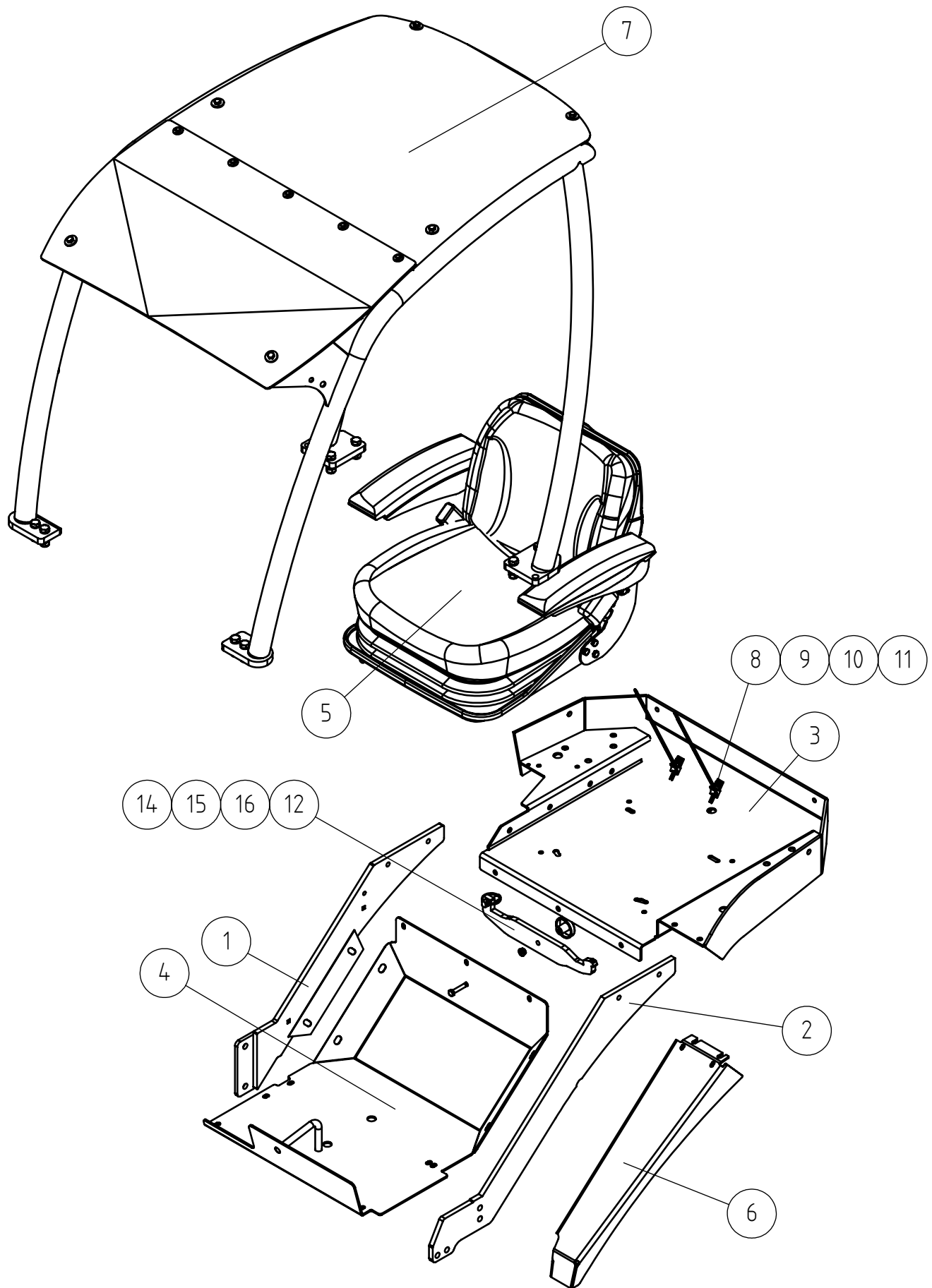
---

**A452130 ROPS CAB ASSEMBLY 500-700 SERIES**

REF	PART NO	QTY	DESCRIPTION	NOTES	PAGE
1	A452129	1	ROPS CAB 500-700 SERIES		72
2	A438092	1	MOUNTING PLATE CONTROL VALVE HDS16		-
3	A439987	1	INSTRUMENT PANEL WITH DECAL 800 SERIES		76

30.6.2022

# A452129 ROPS CAB 500-700 SERIES



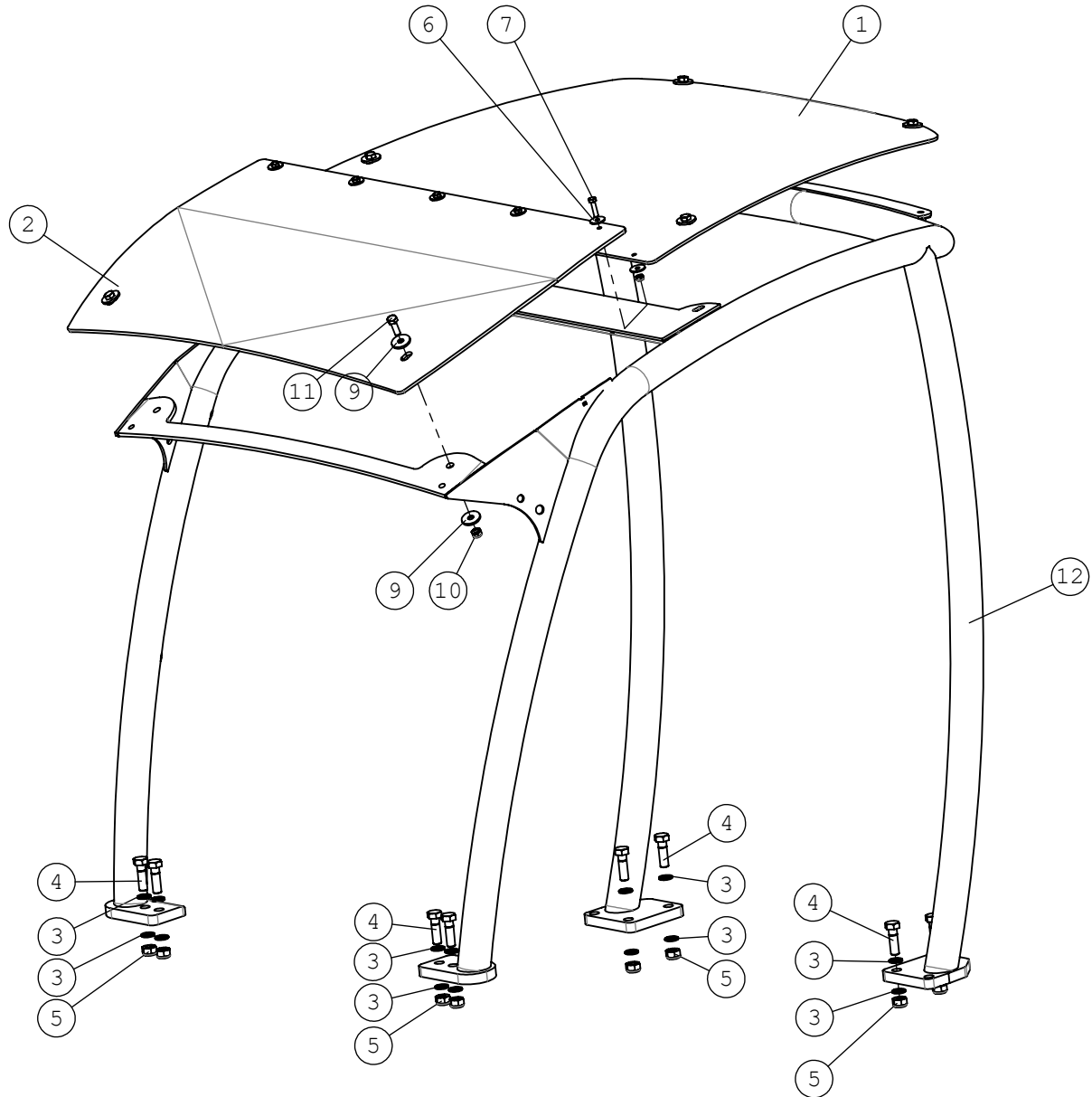
30.6.2022

**A452129 ROPS CAB 500-700 SERIES**

REF	PART NO	QTY	DESCRIPTION	NOTES	PAGE
1	A47389	1	BAR, RIGHT		-
2	A47834	1	BAR, LEFT		-
3	A48246	1	SEAT BASE		-
4	A47399	1	FLOOR PLATE		-
5	66155	1	SEAT, FULL SUSPENSION HEATER OPMANUA BOX		-
5.1	A435848	1	SEAT RAILS, PAIR		-
5.2	65726	1	SEAT CUSHION, BLACK, WITH HEATER		-
5.3	64816	1	ARM RESTS, PAIR, SUSPENSION SEAT ACC980		-
5.4	66375	1	SEAT BELT WITH MICROSWITCH		-
6	A47531	1	EDGE PLATE		-
7	A49119	1	ROPS FRAME WITH FOPS CANOPY, 600/700 SER		74
8	74767	2	RAISED COUNTERSUNK HEAD SCREW M6*20		-
9	74768	2	WASHER MSS/NI M6		-
10	74781	2	HEXAGONAL NUT M6 WITH FLANGE		-
11	A442639	2	CABLE TIE 7,6*390 M6 BLACK		-
12	A410307	1	FRAME LOCK, 700/800 SERIES		-
13	71727	1	LINCH PIN 9,5 MM		-
14	73222	1	HEXAGONAL SCREW M8*40 DIN 933		-
15	74782	1	HEXAGONAL NUT M8 WITH FLANGE		-
16	64188	1	FINGER SCREW R5026M8S		-

30.6.2022

# A49119 ROPS FRAME WITH FOPS CANOPY, 600/700 SER



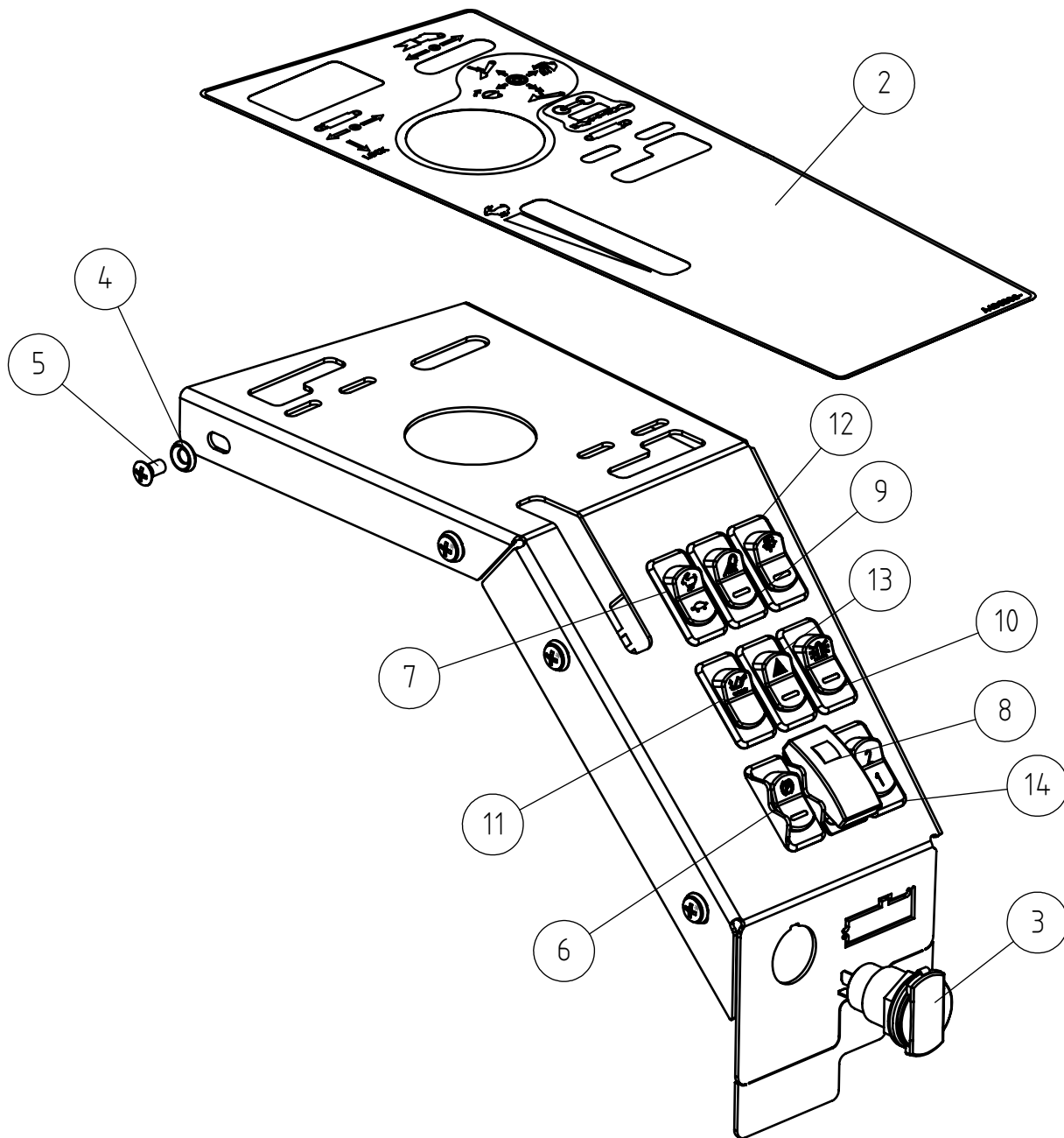
30.6.2022

**A49119 ROPS FRAME WITH FOPS CANOPY, 600/700 SER**

REF	PART NO	QTY	DESCRIPTION	NOTES	PAGE
1	A48905	1	FOPS CANOPY PLATE 500/600/700		-
2	A48909	1	CANOPY, SHORT, POLYCARBONATE (WITH FOPS)		-
3	74532	16	WASHER NORDLOCK NL12		-
4	73322	8	HEXAGONAL SCREW M12*40 DIN 931		-
5	72324	8	HEXAGONAL NUT M 12 NYLOC DIN 985		-
6	71681	10	WASHER M6 DIN 440		-
7	72119	5	HEXAGONAL SCREW M6*25 DIN 933 ZN		-
8	72318	5	HEXAGONAL NUT M 6 DIN 985 NYLOC		-
9	71685	12	WASHER M8 R9 DIN 440 ZN		-
10	72320	6	HEXAGONAL NUT M8 NYLOC DIN 985		-
11	72132	6	HEXAGONAL SCREW M 8*25 DIN 933 ZN		-
12	A33920	1	ROPS FRAME 1090 MM, 600/700 SERIES		-

30.6.2022

# A439987 INSTRUMENT PANEL WITH DECAL 800 SERIES





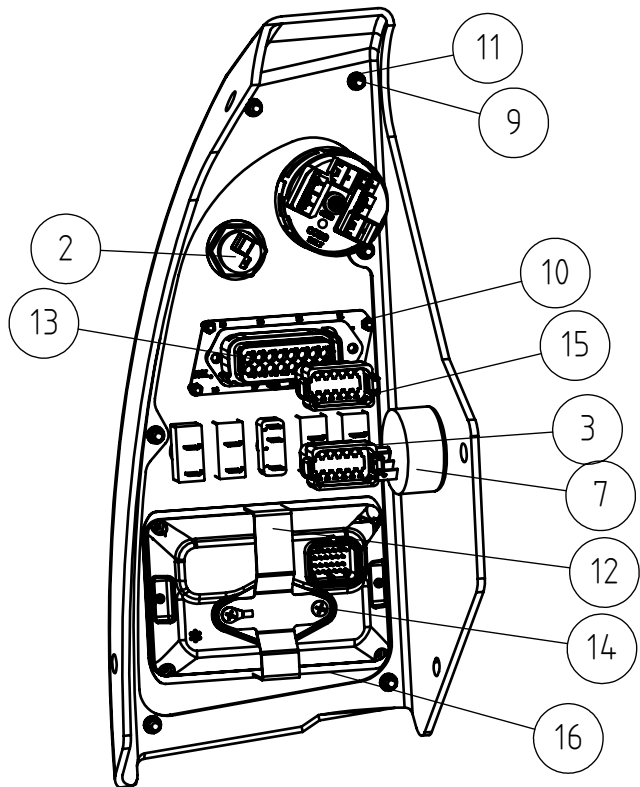
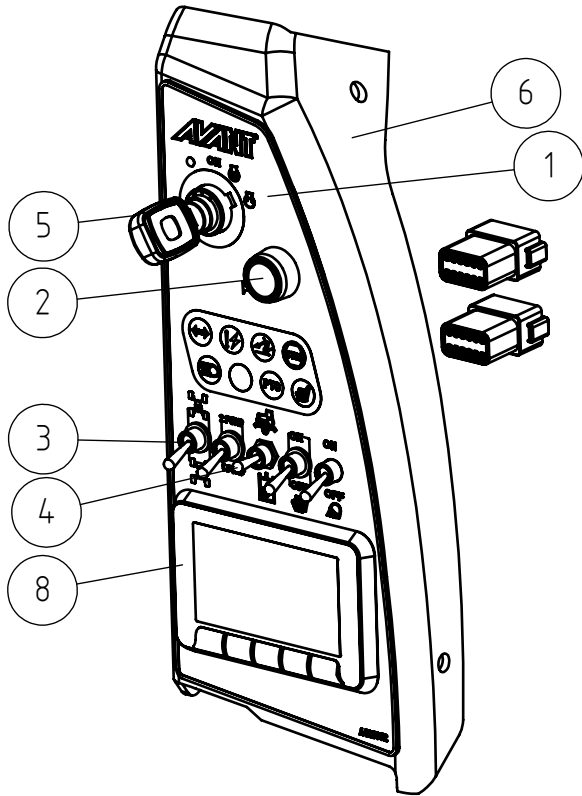
30.6.2022

**A439987 INSTRUMENT PANEL WITH DECAL 800 SERIES**

REF	PART NO	QTY	DESCRIPTION	NOTES	PAGE
1	A431454	1	PANEL 800 SERIES		-
2	A436386	1	DECAL INSTRUMENT PANEL 800 SERIES		-
3	A436424	1	OUTLET 12V/20A WITH COVER		-
4	74768	4	WASHER MSS/NI M6		-
5	75162	4	CROSS HEAD COUNTERS SCREW M6*12		-
6	65216	1	SWITCH, PARKING BRAKE		-
7	65246	1	SWITCH, DRIVE SPEED AREA, 750		-
8	A430996	1	CONTROL SWITCH, HYDR ATTACHMENT COUPLING		-
9	65066	1	SWITCH, WORK LIGHT		-
10	65065	1	SWITCH, BEACON		-
11	A437190	1	SWITCH SMOOTH DRIVE		-
12	65063	1	SWITCH, WIPER/WASHER		-
13	65064	1	SWITCH, WARNING BLINKER		-
14	65276	1	ROCKER SWITCH, REAR AUXILIARY HYDRAULICS		-

30.6.2022

# A435860 DASHBOARD ASSEMBLY



30.6.2022

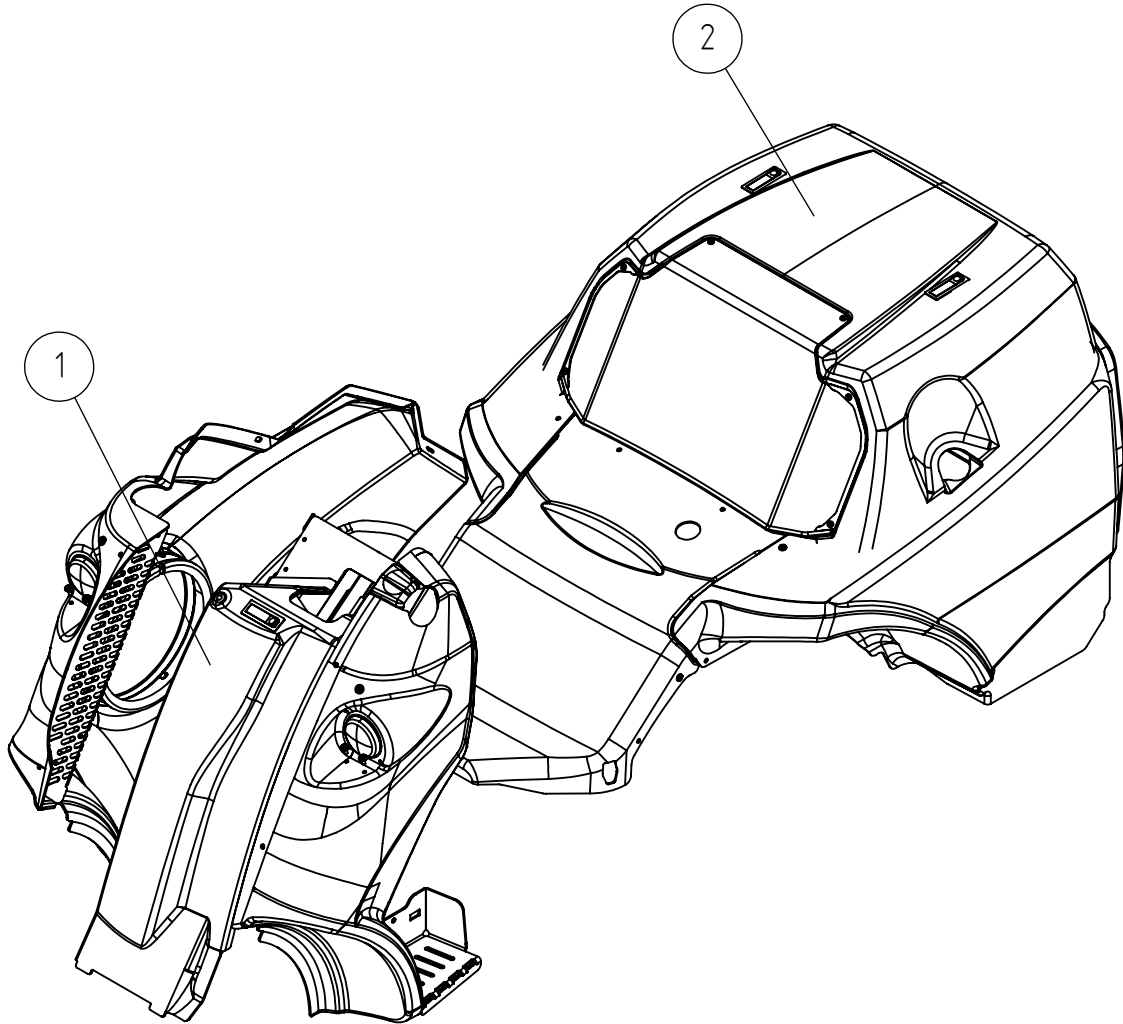
**A435860 DASHBOARD ASSEMBLY**

REF	PART NO	QTY	DESCRIPTION	NOTES	PAGE
1	A435868	1	COVER DASHBOARD 700-800 STAGE 5		-
2	64074	1	PUSH BUTTON F22,5 SIGNAL HORN		-
3	A443283	4	ROCKER SWITCH ON-OFF 2-POLE		-
4	A442322	1	ROCKER SWITCH ON-OFF-MOM 3-POLE		-
5	66156	1	IGNITION SWITCH 12V/30A/60A IP65 COBO		-
5.1	64214	1	IGNITION KEY MERIT (14607)		-
6	A418948	1	HOUSING PANEL ABS DASHBOARD		-
7	A440326	1	ALARM BEEPER D28,5/D45 -H47		-
8	A428466	1	DISPLAY 4,3" COLOUR LED		-
9	72313	6	HEXAGONAL NUT M4 DIN 985 NYLOC		-
10	75151	4	HEXAGONAL NUT M3 DIN 985 NYLOC 2		-
11	75097	6	WASHER M4 A4,3 DIN 125		-
12	A423587	1	MOUNTING PLATE, DISPLAY		-
13	A425315	1	INDICATOR LIGHTS E SERIES		-
14	A431502	2	PAN HEAD MACHINE SCREW M4*8		-
15	A436098	1	WIRE HARNESS DASHBOARD STAGE 5 700-800		-
16	A436780	1	GROUNDING FRAME CANVIEW4 GAUGE PANEL		-

30.6.2022

---

# A451115 COVER PLATES KIT, ABS 700 SERIES ROPS

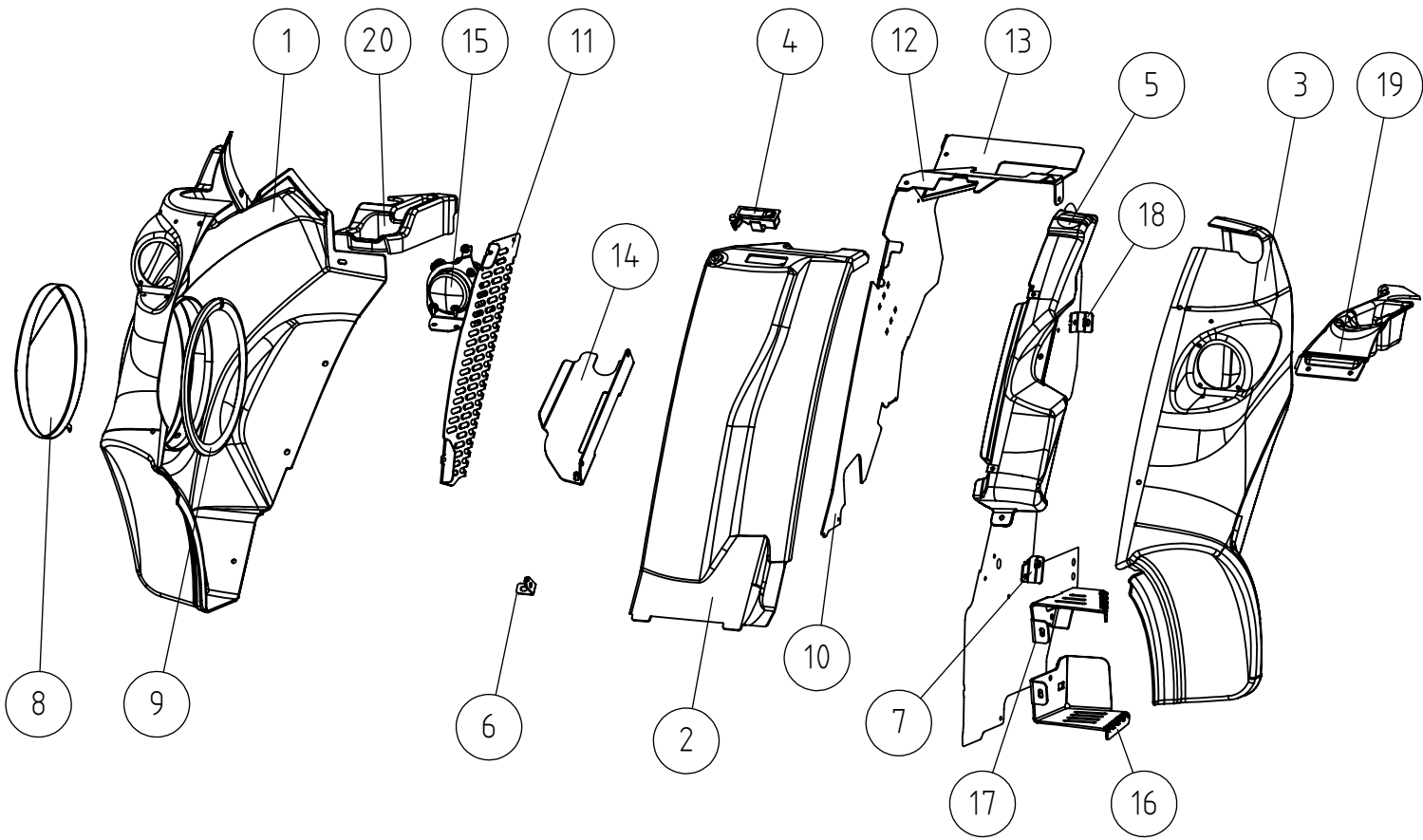


30.6.2022

**A451115 COVER PLATES KIT, ABS 700 SERIES ROPS**

REF	PART NO	QTY	DESCRIPTION	NOTES	PAGE
1*	A446265	1	COVER PLATES FRONT FRAME ABS 500-700	ABS	82
1**	A447754	1	COVER PLATES FRONT FRAME POLYCARBONATE	PC/HD, optional extra	84
2*	A442266	1	COVER PLATES REAR FRAME ABS 700/800	ABS	86
2**	A445553	1	COVER PLATES REAR FRAME HD POLYCARBONATE	PC/HD, optional extra	88
2***	A437518	1	MUDGUARDS REAR 700/800 STAGE 5	Mud guards	90

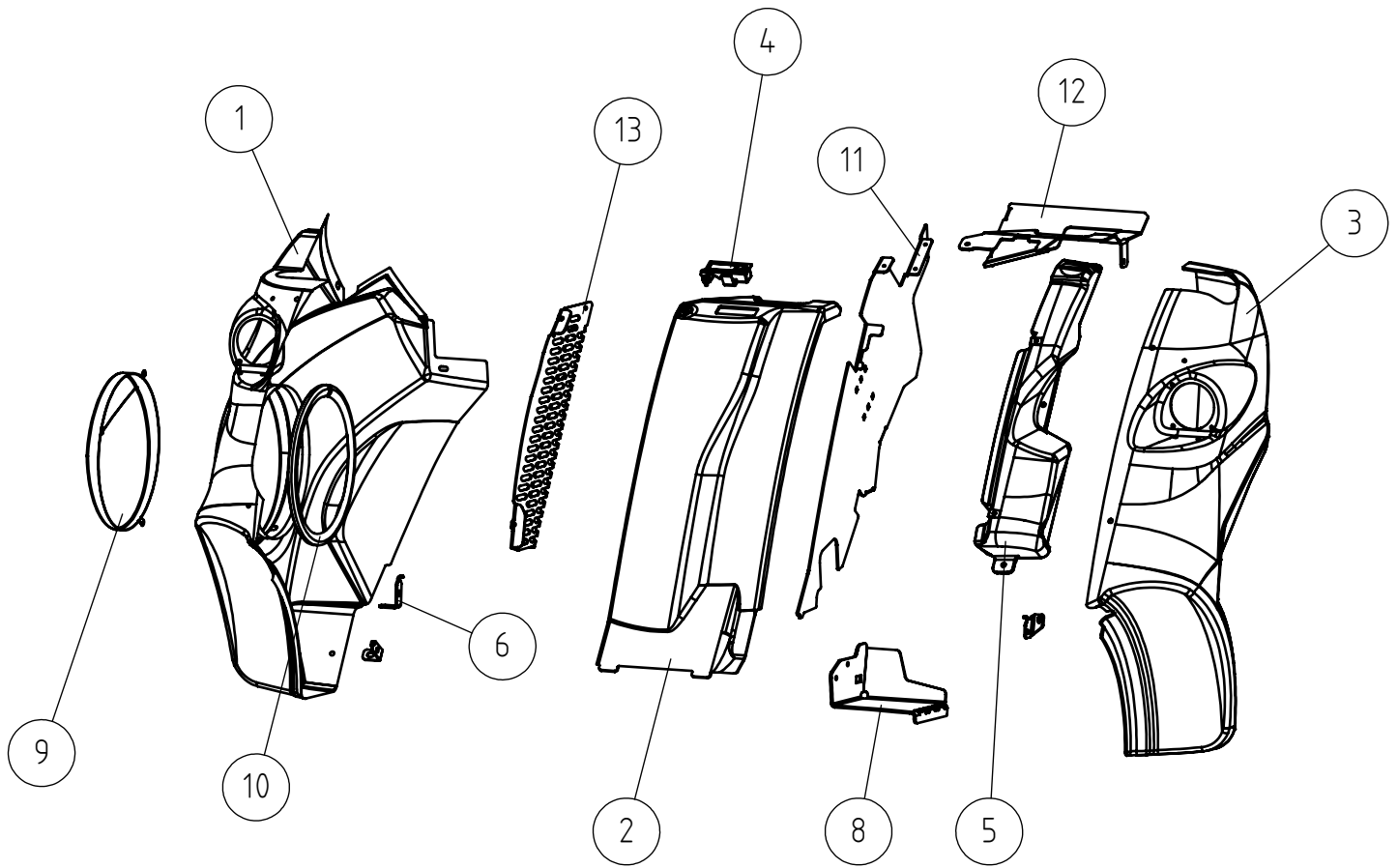
# A446265 COVER PLATES FRONT FRAME ABS 500-700



**A446265 COVER PLATES FRONT FRAME ABS 500-700**

REF	PART NO	QTY	DESCRIPTION	NOTES	PAGE
1	A446215	1	COVER PLATE FRONT RIGHT ABS 500-700		-
2	A445993	1	COVER PLATE FRONT ABS ROPS / GT 500-700		-
3	A446305	1	COVER PLATE FRONT LEFT ABS 500-700		-
4	65085	1	LATCH		-
5	A446048	1	MOUNTING BRACKET COVER PLATE FRONT LEFT		-
6	A446422	1	MOUNTING BRACKET SHORT COVER PLATE		-
7	A450748	1	MOUNTING BRACKET LEFT COVER PLATE		-
8	A431524	1	MESH HYDRAULIC OIL COOLER		-
9	A438435	1	EDGE BANDING, FAN 800 SERIES		-
10	A445910	1	SIDE PLATE FRONT FRAME RIGHT 500-700		-
11	A446221	1	MOUNTING BRACKET COVER PLATE FRONT RIGHT		-
12	A450610	1	MOUNTING BRACKET COVER PLATE FRONT		-
13	A445628	1	MOUNTING BRACKET COVER PLATE FRONT		-
14	A454142	1			-
15	A450770	1	WORK LIGHTS LED ON FRONT COVERS ASSEMBLY		-
16	A450071	1	STEP, MACHINE WITH ROPS		-
17	A450093	1	STEP, MACHINE WITH ROPS		-
18	A451440	1	MOUNTING BRACKET LEFT COVER PLATE		-
19	A434360	1	CUP HOLDER, LEFT		-
20	A431510	1	CUP HOLDER, RIGHT		-

# A447754 COVER PLATES FRONT FRAME POLYCARBONATE

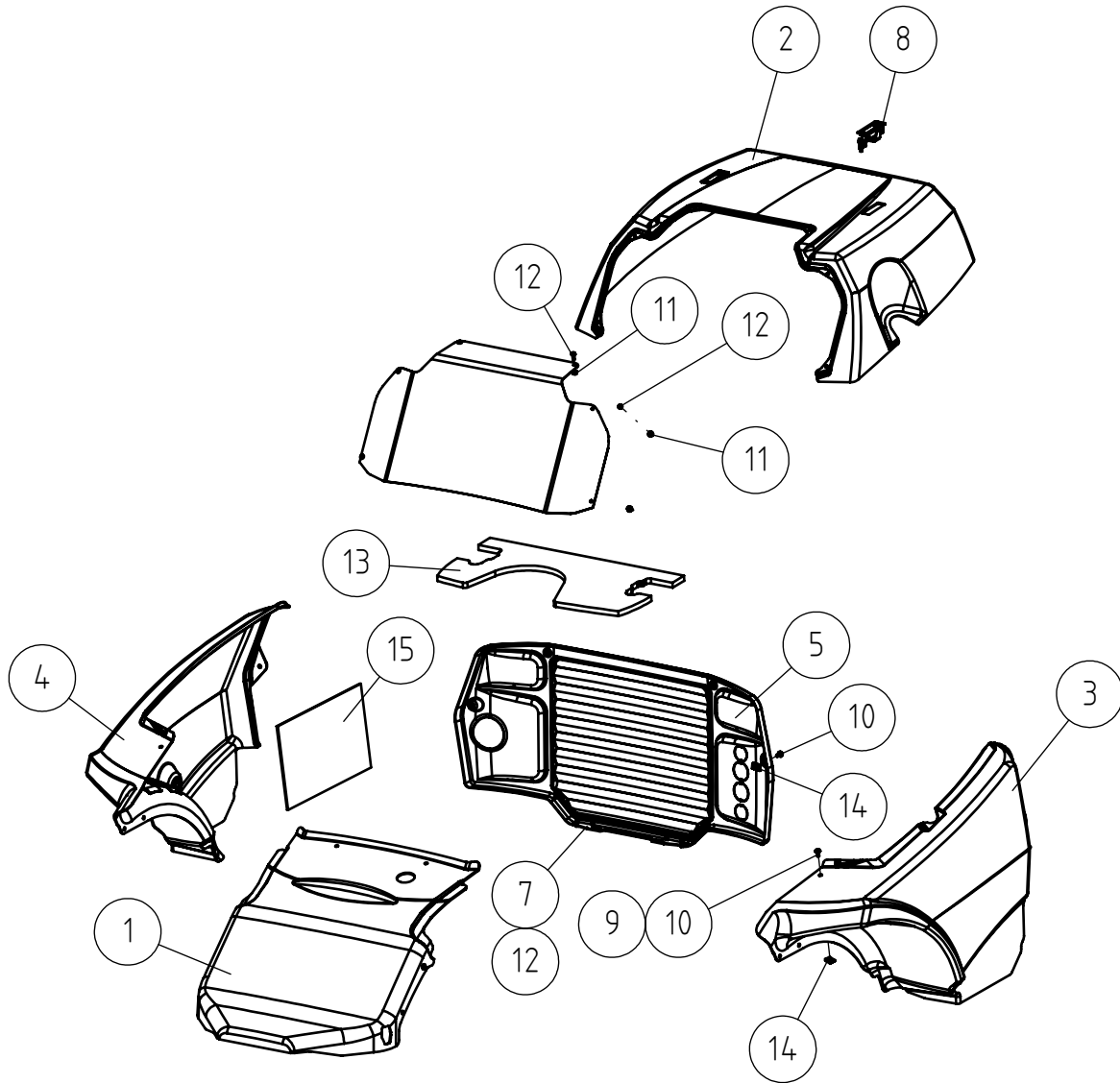




**A447754 COVER PLATES FRONT FRAME POLYCARBONATE**

REF	PART NO	QTY	DESCRIPTION	NOTES	PAGE
1	A447753	1	COVER PLATE FRONT RIGHT POLYCARBONATE		-
2	A447751	1	COVER PLATE FRONT POLYKARBONAT ROPS / GT		-
3	A447752	1	COVER PLATE FRONT LEFT POLYCARBONATE		-
4	65085	1	LATCH		-
5	A446048	1	MOUNTING BRACKET COVER PLATE FRONT LEFT		-
6	A446422	2	MOUNTING BRACKET SHORT COVER PLATE		-
7	A446430	1	MOUNTING BRACKET LEFT COVER PLATE		-
8	A446412	1	STEP		-
9	A431524	1	MESH HYDRAULIC OIL COOLER		-
10	A438435	1	EDGE BANDING, FAN 800 SERIES		-
11	A445910	1	SIDE PLATE FRONT FRAME RIGHT 500-700		-
12	A445913	1	MOUNTING PLATE UPPER		-
13	A446221	1	MOUNTING BRACKET COVER PLATE FRONT RIGHT		-

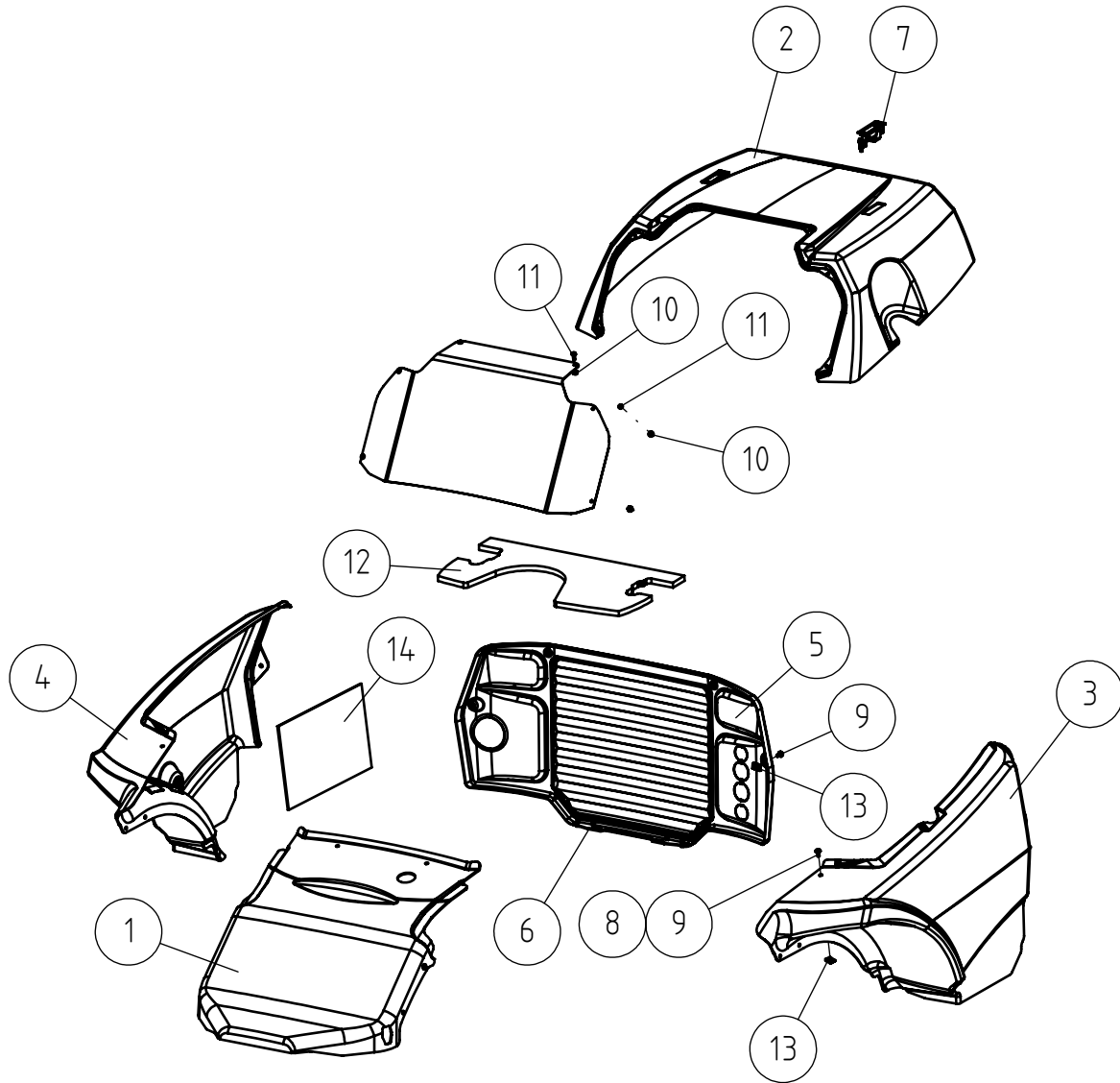
# A442266 COVER PLATES REAR FRAME ABS 700/800



**A442266 COVER PLATES REAR FRAME ABS 700/800**

REF	PART NO	QTY	DESCRIPTION	NOTES	PAGE
1	A442264	1	COVER PLATE REAR CENTER FRONT ABS		-
2	A436436	1	COVER PLATE ENGINE, ABS, 800 STAGE V		-
3	A442294	1	COVER PLATE REAR LEFT ABS, 800 STAGE 5		-
4	A442263	1	COVER PLATE REAR RIGHT ABS, 800 STAGE 5		-
5	A437378	1	REAR GRILLE WITHOUT LIGHTS 700/800		-
6	A437107	1	FRONT MESH, COVER PLATE ENGINE 700/800		-
7	A446673	1	MOUNTING PLATE REAR GRILLE 700/800		-
8	65085	2	LATCH		-
9	74768	3	WASHER MSS/NI M6		-
10	74767	3	RAISED COUNTERSUNK HEAD SCREW M6*20		-
11	74781	6	HEXAGONAL NUT M6 WITH FLANGE		-
12	A437544	10	THREAD-FORMING SCREW BLACK M6*16 DIN		-
13	A418781	1	SEALING PLATE		-
14	74807	3	SPEED NUT M6, FOR 0.5-4.0 MM PLATE		-
15	A439798	1	HEAT SHIELD ON REAR COVER PLATE 700/800		-

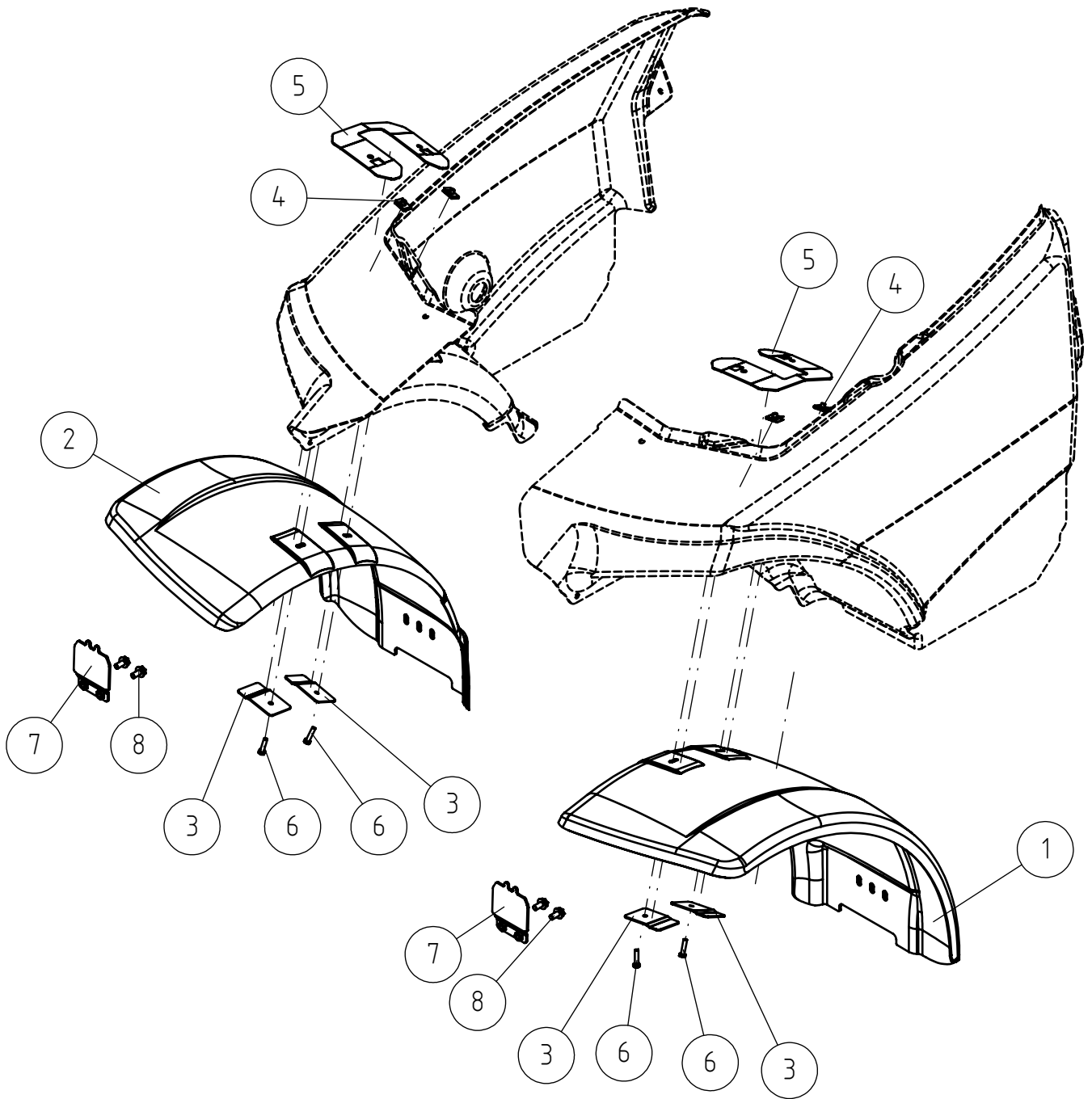
# A445553 COVER PLATES REAR FRAME HD POLYCARBONATE



**A445553 COVER PLATES REAR FRAME HD POLYCARBONATE**

REF	PART NO	QTY	DESCRIPTION	NOTES	PAGE
1	A442264	1	COVER PLATE REAR CENTER FRONT ABS		-
2	A438567	1	COVER PLATE ENGINE, POLYCARBONATE,		-
3	A444585	1	COVER PLATE REAR LEFT POLYCARBONATE		-
4	A444586	1	COVER PLATE REAR RIGHT POLYCARBONATE		-
5	A437378	1	REAR GRILLE WITHOUT LIGHTS 700/800		-
6	A446673	1	MOUNTING PLATE REAR GRILLE 700/800		-
7	65085	2	LATCH		-
8	74768	3	WASHER MSS/NI M6		-
9	74767	3	RAISED COUNTERSUNK HEAD SCREW M6*20		-
10	74781	6	HEXAGONAL NUT M6 WITH FLANGE		-
11	A437544	10	THREAD-FORMING SCREW BLACK M6*16 DIN		-
12	A418781	1	SEALING PLATE		-
13	74807	3	SPEED NUT M6, FOR 0.5-4.0 MM PLATE		-
14	A439798	1	HEAT SHIELD ON REAR COVER PLATE 700/800		-
15	A437107	1	FRONT MESH, COVER PLATE ENGINE 700/800		-

# A437518 MUDGUARDS REAR 700/800 STAGE 5

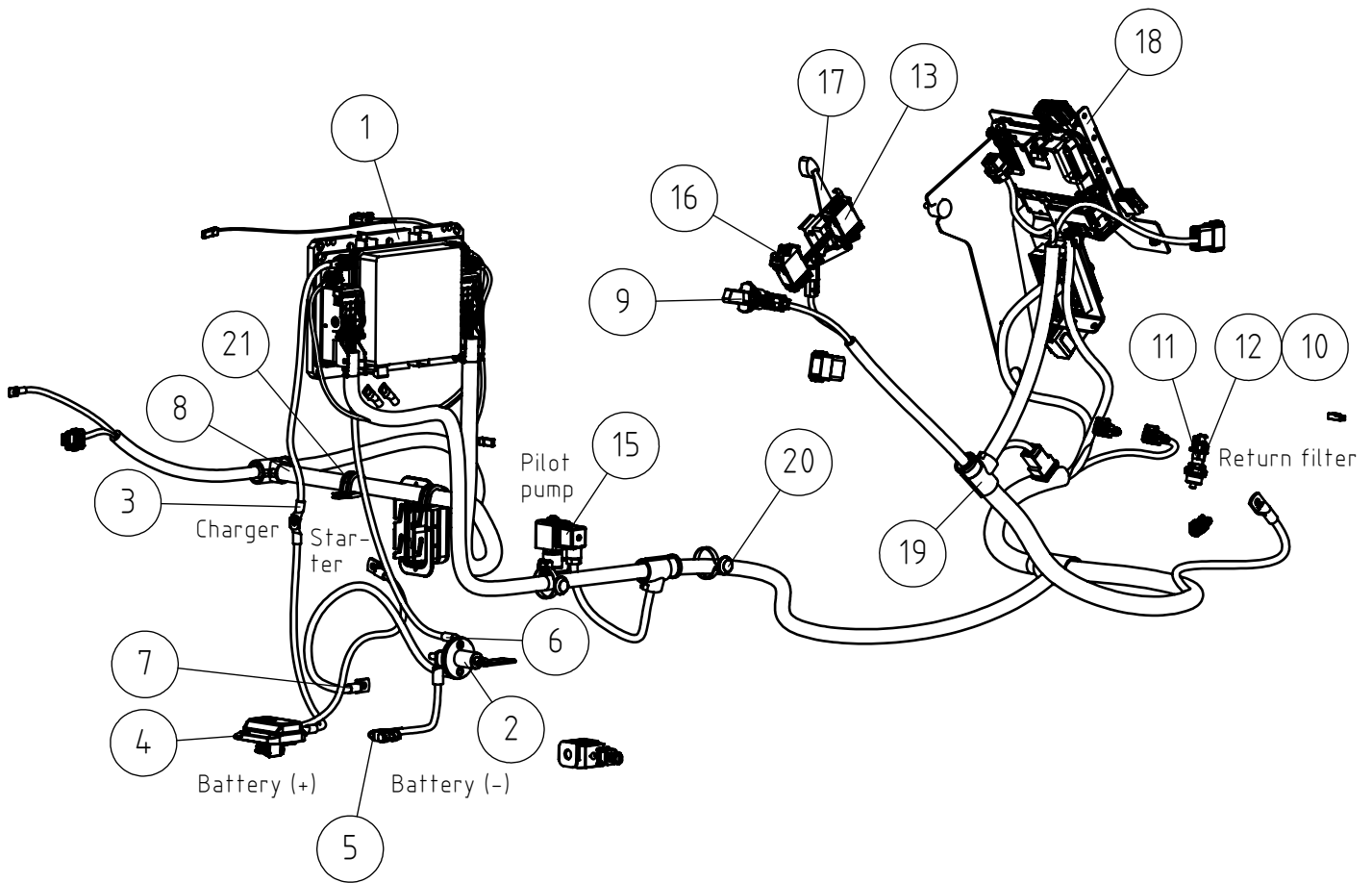


**A437518 MUDGUARDS REAR 700/800 STAGE 5**

REF	PART NO	QTY	DESCRIPTION	NOTES	PAGE
1	A436419	1	MUDGUARD REAR LEFT, 800 STAGE V		-
2	A436597	1	MUDGUARD REAR RIGHT, 800 STAGE V		-
3	A437485	4	MOUNTING PLATE REAR MUDGUARD 700/800		-
4	74807	4	SPEED NUT M6, FOR 0.5-4.0 MM PLATE		-
5	A438480	2	MOUNTING BRACKET MUDGUARD		-
6	72119	4	HEXAGONAL SCREW M6*25 DIN 933 ZN		-
7	A446663	2	MOUNTING BRACKET MUDGUARD REAR 600-800		-
8	A429200	4	HEXAGONAL SERRATED SCREW M8*16 WITH FLAN		-

30.6.2022

# A453581 ELECTRIC COMPONENTS 760I





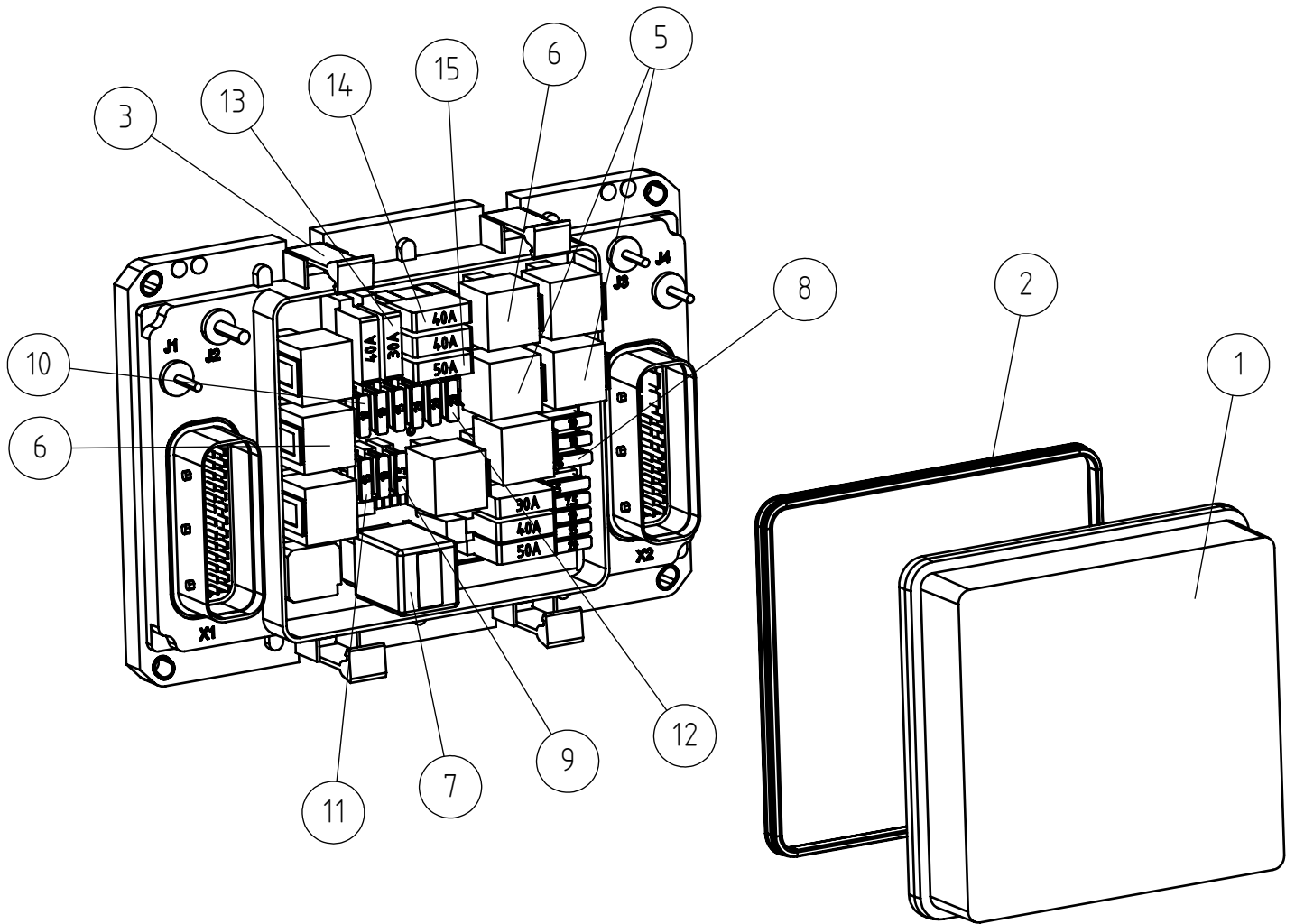
30.6.2022

**A453581 ELECTRIC COMPONENTS 760I**

REF	PART NO	QTY	DESCRIPTION	NOTES	PAGE
1	A436657	1	POWER DELIVERY UNIT 755I/760I/860I STAGE		94
2	64141	1	BATTERY DISCONNECT SWITCH C-180216		-
2.1	64394	1	KEY, BATTERY DISCONNECT SWITCH C-180216		-
3	A438440	1	CABLE, RED, L=500 25MM2		-
4	A437903	1	BATTERY TERMINAL 2 WIRES+FUSE 700/800		-
4.1	A437905	1	FUSE 100A 70V		-
5	65071	1	CABLE, BATTERY, BLACK, L=280		-
6	A437906	1	CABLE, BLACK, L=460 25MM2		-
7	A437910	1	CABLE, BLACK, L=530 35MM2		-
8	A433633	1	WIRE HARNESS 760I/860I		-
9	A436424	1	OUTLET 12V/20A WITH COVER		-
10	73047	1	USIT SEAL RING R/12"		-
11	A433798	1	TEMPERATURE SENSOR TF-W		-
12	A438517	1	FITTING G1/2" => M12*1,5		-
13	65246	1	SWITCH, DRIVE SPEED AREA, 750		-
14	A436960	1	WIRE HARNESS WORK LIGHTS FRONT		-
15	66475	1	BLOCKING VALVE PARKER 12V		-
15.1	A451126	1	SOLENOID 12VDC / 14W		-
16	A442040	1	SWITCH PARKING BRAKE		-
17	A452987	1	THROTTLE LEVER ASSEMBLY		-
18	A453565	1	VECU & FUSE BOXES ON MOUNTING BRACKET		96
19	A449142	1	WIRE HARNESS FRONT PART 700/800 STAGE V		-
20	A449992	2	CABLE TIE 7,6*375		-
21	74573	2	PIPE CLAMP F25 MM		-

30.6.2022

# A436657 POWER DELIVERY UNIT 755I/760I/860I STAGE



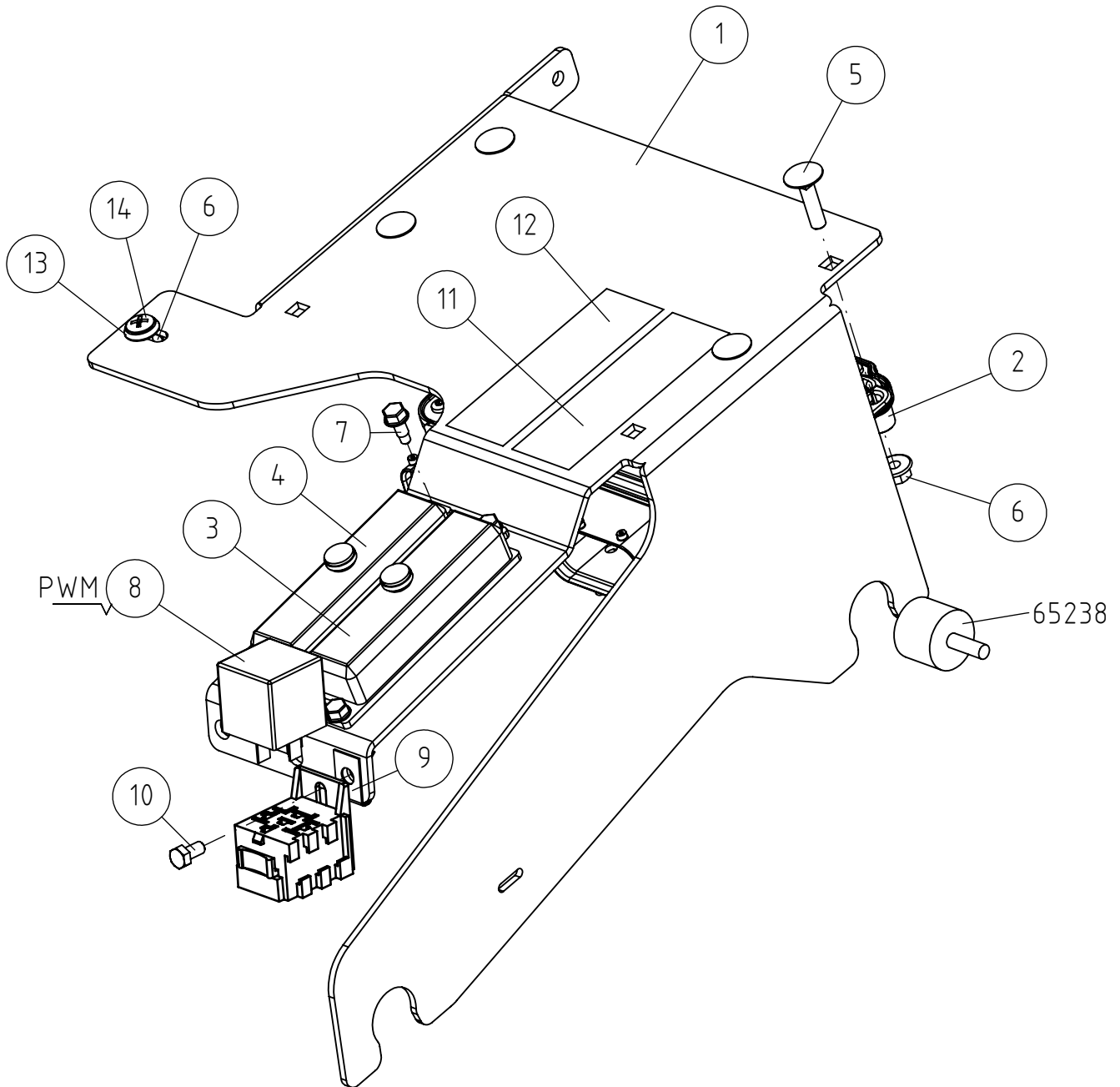
30.6.2022

**A436657 POWER DELIVERY UNIT 755I/760I/860I STAGE**

REF	PART NO	QTY	DESCRIPTION	NOTES	PAGE
1	A436654	1	LID POWER DELIVERY UNIT		-
2	A441524	1	SEAL POWER DELIVERY UNIT		-
3	A441522	1	LATCH POWER DELIVERY UNIT		-
4	A442618	1	DECAL POWER DELIVERY UNIT 755I/760I/860I		-
5	65521	2	RELAY 12V 70A		-
6	65409	7	RELAY 12V 40A		-
7	A442381	1	RELAY PROGRAMMABLE ICCS MICRO		-
8	74997	2	FUSE BLADE TYPE 5A GOLD BROWN		-
9	75041	2	FUSE BLADE TYPE 7.5A BROWN		-
10	74998	6	FUSE BLADE TYPE 10A RED		-
11	74602	3	FUSE BLADE TYPE 15A BLUE		-
12	74999	4	FUSE BLADE TYPE 20A YELLOW		-
13	A444385	2	FUSE BLADE TYPE 30A GREEN		-
14	A444387	4	FUSE BLADE TYPE 40A ORANGE		-
15	A444388	2	FUSE BLADE TYPE 50A RED		-

30.6.2022

# A453565 VECU & FUSE BOXES ON MOUNTING BRACKET



30.6.2022

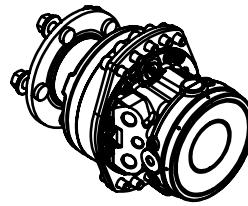
**A453565 VECU & FUSE BOXES ON MOUNTING BRACKET**

REF	PART NO	QTY	DESCRIPTION	NOTES	PAGE
1	A452909	1	MOUNTING BRACKET VECU / FUSE BOXES		-
2	A433527	1	ELECTRONIC CONTROL UNIT ECU		-
3	A442064	1	FUSE BOX 1 ASSEMBLY 700/800 SERIES		-
4	A442243	1	FUSE BOX 2 ASSEMBLY 700/800 SERIES		-
5	75167	4	CARRIAGE BOLT M6*25 DIN603		-
6	A452923	5	HEXAGONAL NUT M6 DIN 6923		-
7	A451996	4	SELF-DRILLING SCREW 4,8*13 DIN 7504-K		-
8	A439100	1	RELAY SOLID STATE 15A		-
9	75172	1	SPEED NUT M5 FOR 0.5-4.0 MM PLATE		-
10	75160	1	HEXAGONAL SCREW M5*10 DIN 933		-
11	A438877	1	DECAL FUSE BOX 1 700/800 SERIES		-
12	A438879	1	DECAL FUSE BOX 2 700/800 SERIES		-
13	74768	1	WASHER MSS/NI M6		-
14	74767	1	RAISED COUNTERSUNK HEAD SCREW M6*20		-

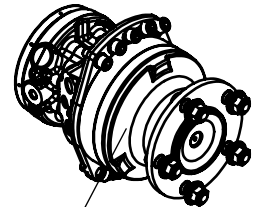
30.6.2022

# A445009 HYDRAULIC MOTOR ASSEMBLY 398 CCM POCLAIN

OIKEA TAKAMOOTTORI  
Right rear drivemotor

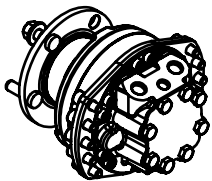


VASEN TAKAMOOTTORI  
Left rear drivemotor

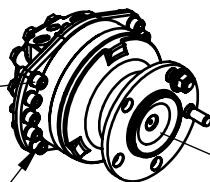


2

OIKEA ETUMOOTTORI  
Right front drivemotor



VASEN ETUMOOTTORI  
Left front drivemotor



4

3

1

M12 8.8  
Kiristysmomentti  
Tightening torque  
91Nm  
Kierrelukite  
Threadlocking compound

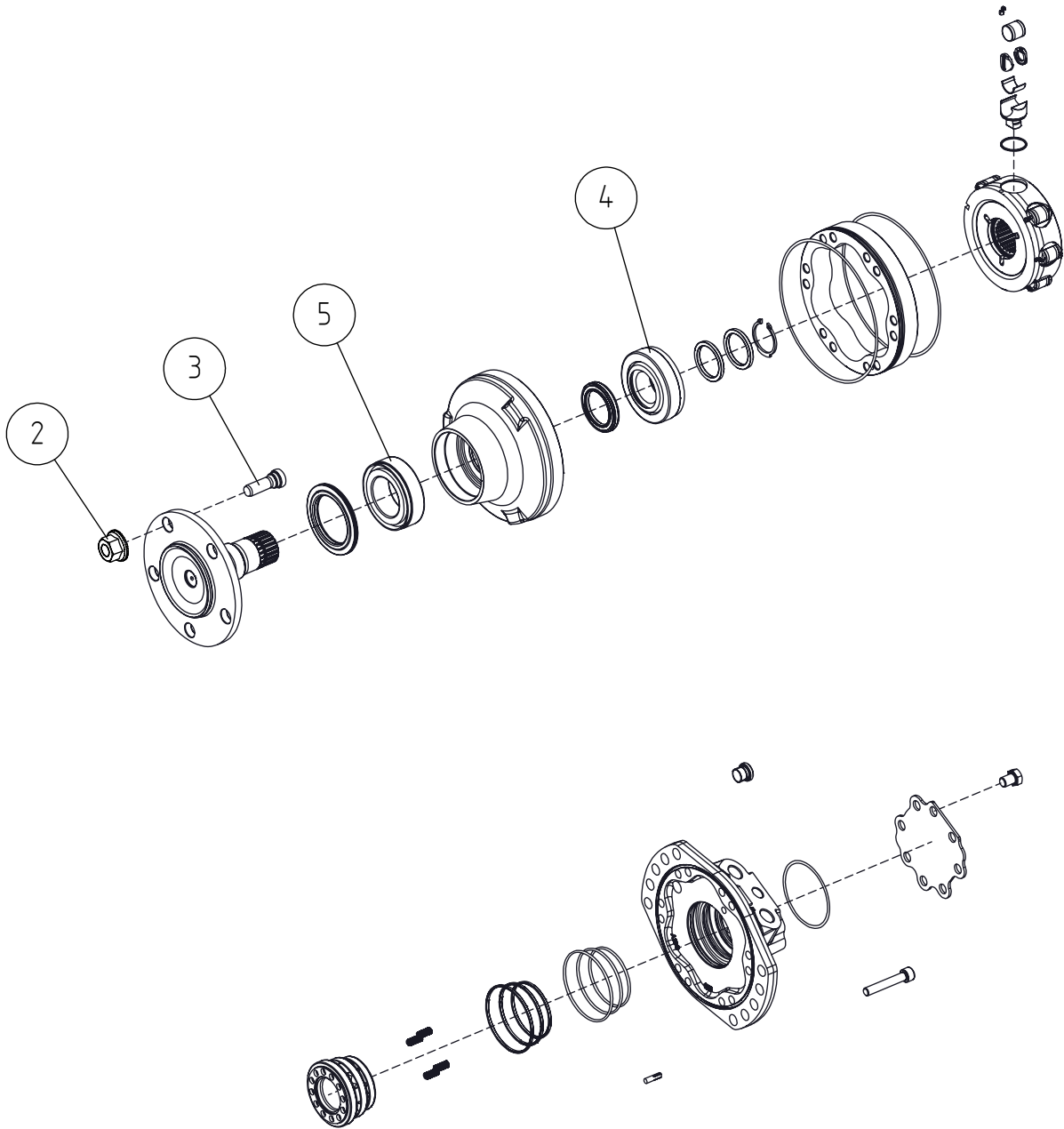
30.6.2022

**A445009 HYDRAULIC MOTOR ASSEMBLY 398 CCM POCLAIN**

REF	PART NO	QTY	DESCRIPTION	NOTES	PAGE
1	65670	2	HYDRAULIC MOTOR MSE02 398CCM		100
2	65671	2	HYDRAULIC MOTOR B MSE02 398CCM W. BRAKE		102
3	74846	40	HEXAGONAL HEAD SCREW M12*30 DIN912		-
4	74532	40	WASHER NORDLOCK NL12		-

30.6.2022

# 65670 HYDRAULIC MOTOR MSE02 398CCM





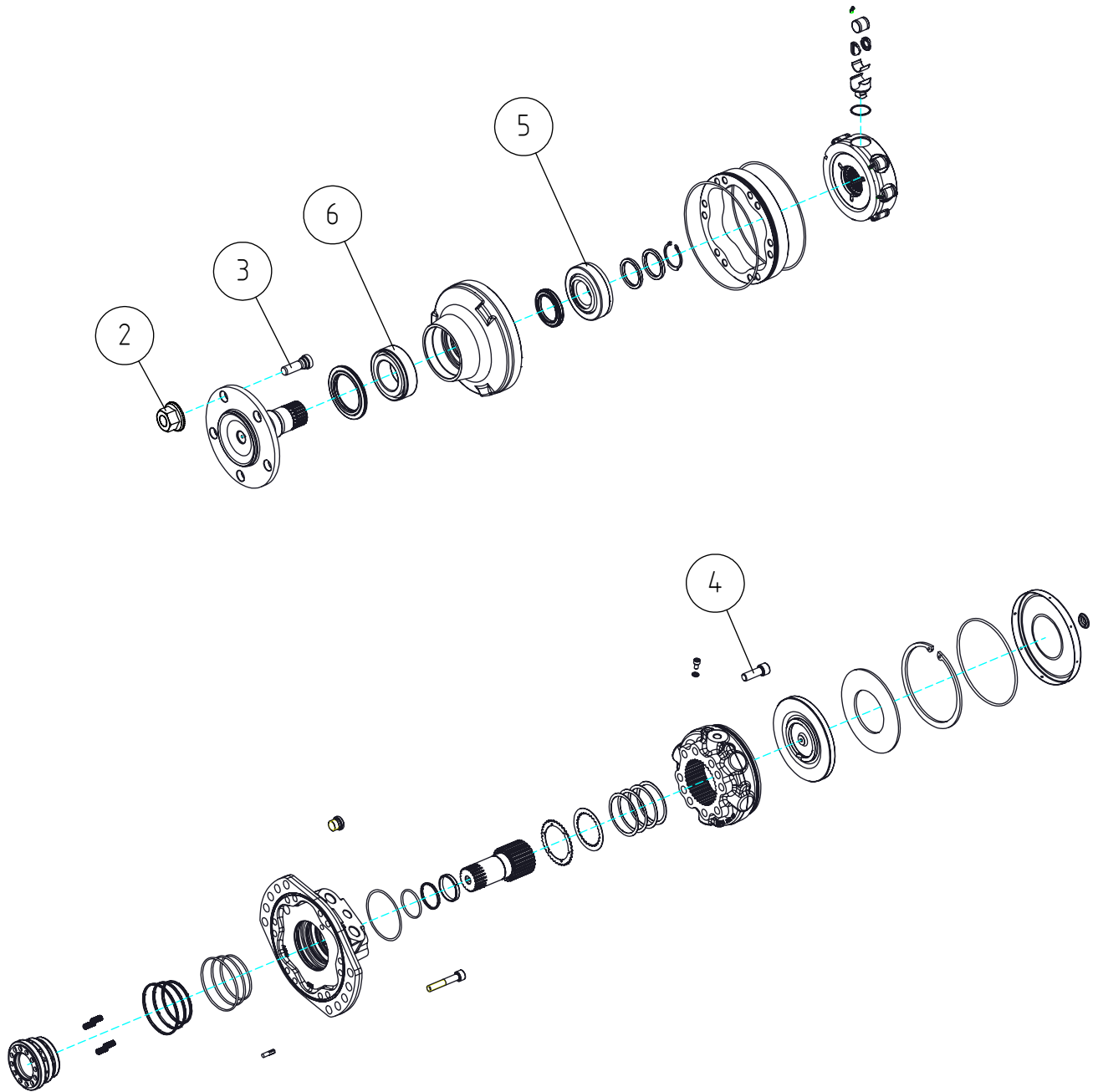
30.6.2022

**65670 HYDRAULIC MOTOR MSE02 398CCM**

REF	PART NO	QTY	DESCRIPTION	NOTES	PAGE
1	65670	1	HYDRAULIC MOTOR MSE02 398CCM		100
2	74866	1	WHEEL NUT M14*1.5 AV22 POCLAIN		-
3	75143	1	WHEEL BOLT M14*1.5-45 12.9 POCLAIN		-
4	A452731	1	CONICAL ROLLER BEARING 31308-C1 POCLAIN		-
5	A452732	1	CONICAL ROLLER BEARING 33110-C1 POCLAIN		-
6	A448105	1	SEAL KIT COMPLETE POCLAIN HYDR. MOTOR		-
7	A448120	1	SEAL KIT POCLAIN REPAIR KIT HYDR. MOTOR		-
8	A448122	1	SEAL KIT POCLAIN OPENING KIT HYDR. MOTOR		-

30.6.2022

# 65671 HYDRAULIC MOTOR B MSE02 398CCM W. BRAKE



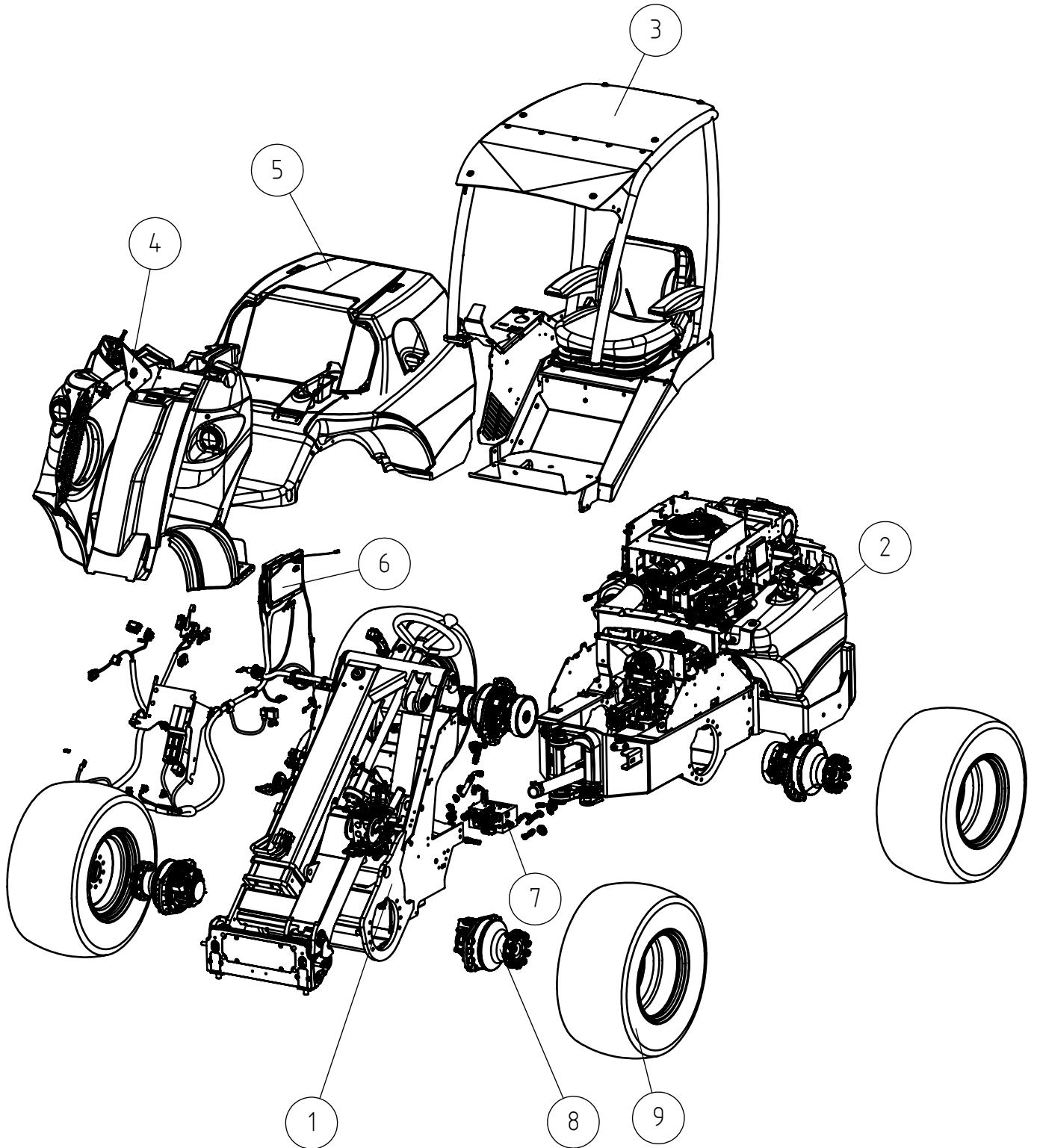
30.6.2022

**65671 HYDRAULIC MOTOR B MSE02 398CCM W. BRAKE**

REF	PART NO	QTY	DESCRIPTION	NOTES	PAGE
1	65671	1	HYDRAULIC MOTOR B MSE02 398CCM W. BRAKE		102
2	74866	1	WHEEL NUT M14*1.5 AV22 POCLAIN		-
3	75143	1	WHEEL BOLT M14*1.5-45 12.9 POCLAIN		-
4	A449527	1	HEXAGONAL HEAD SCREW M10*40 12.9 DIN 912		-
5	A452731	1	CONICAL ROLLER BEARING 31308-C1 POCLAIN		-
6	A452732	1	CONICAL ROLLER BEARING 33110-C1 POCLAIN		-
7	A448123	1	SEAL KIT COMPLETE POCLAIN HYDR. MOTOR		-
8	A448120	1	SEAL KIT POCLAIN REPAIR KIT HYDR. MOTOR		-
9	A448122	1	SEAL KIT POCLAIN OPENING KIT HYDR. MOTOR		-

30.6.2022

A451549 AVANT 760I STAGE V 11/2022 =>

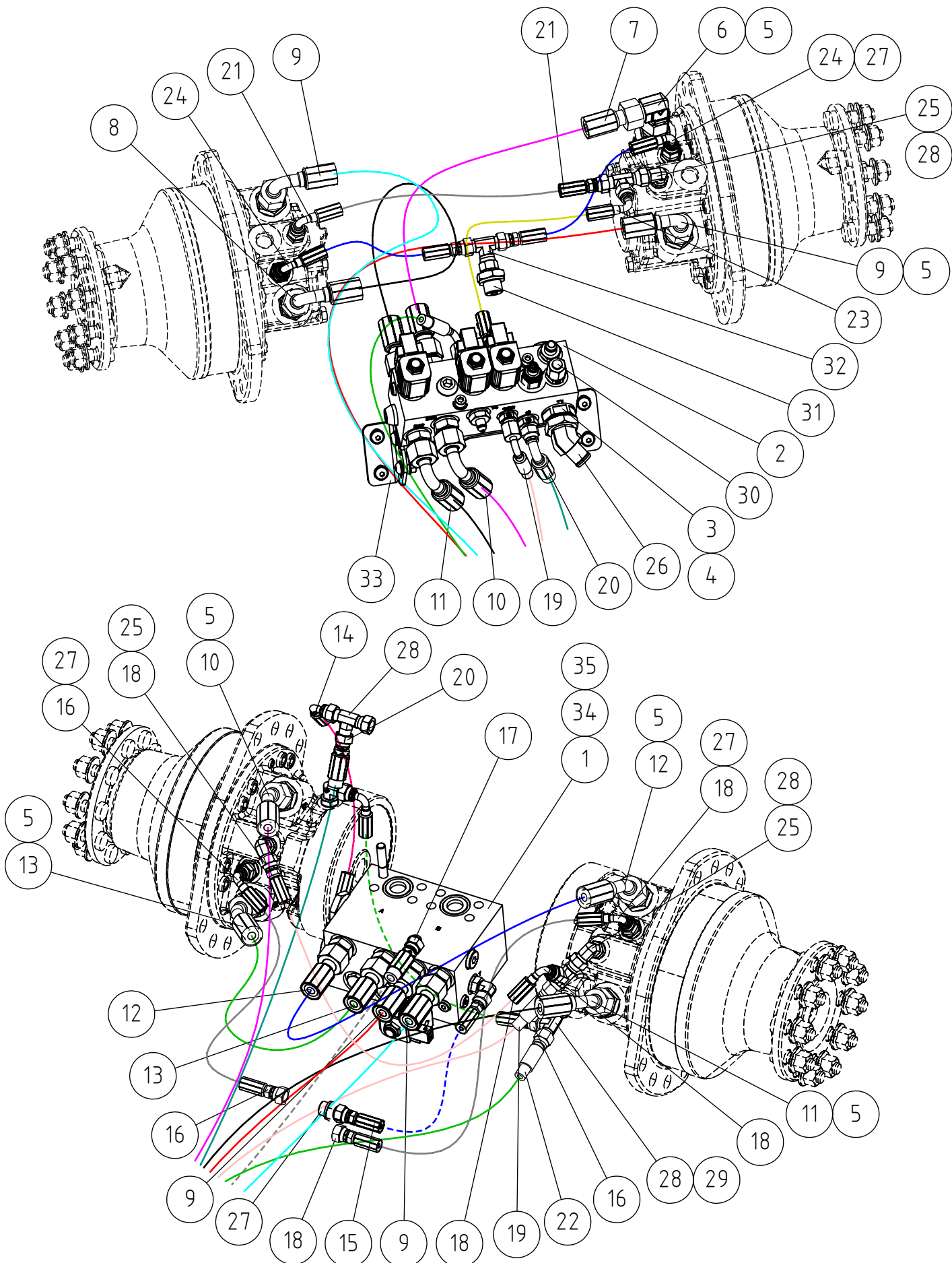


30.6.2022

**A451549 AVANT 760I STAGE V 11/2022 =>**

REF	PART NO	QTY	DESCRIPTION	NOTES	PAGE
1	A452147	1	FRONT FRAME ASSEMBLY 700 SERIES 11/2022		6
2	A438827	1	REAR FRAME 755I/760I STAGE V, ASSEMBLY		40
3	A452130	1	ROPS CAB ASSEMBLY 500-700 SERIES		70
4	A435860	1	DASHBOARD ASSEMBLY		78
5	A451115	1	COVER PLATES KIT, ABS 700 SERIES ROPS		80
6	A453581	1	ELECTRIC COMPONENTS 760I		92
7	A451386	1	HYDR. HOSES DRIVE, WITH ANTI SLIP	A451386 Avant 760	106
8	A448175	1	HYDRAULIC MOTOR ASSEMBLY 560/280 CCM		112
9	65958	4	WHEEL (TYRE+RIM) 400/50-15 10-HOLE TRACT		-

# A451386 HYDR. HOSES DRIVE, WITH ANTI SLIP

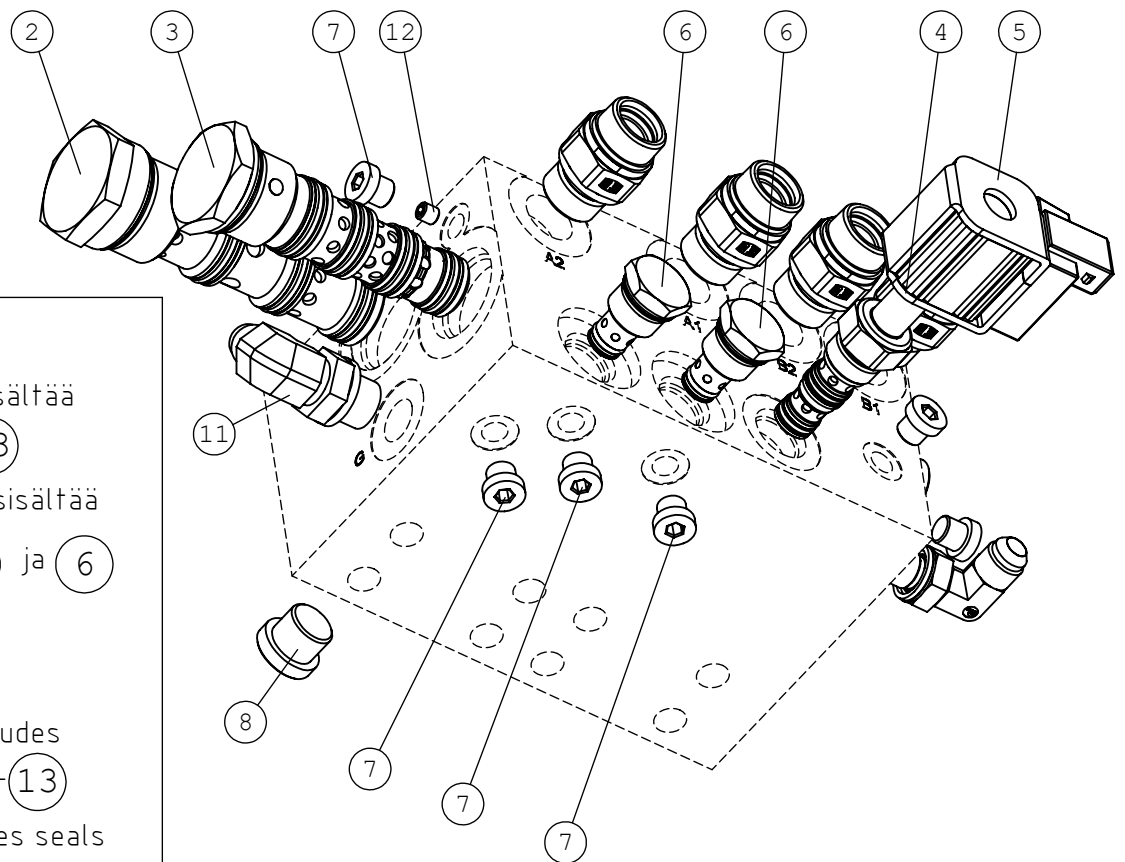
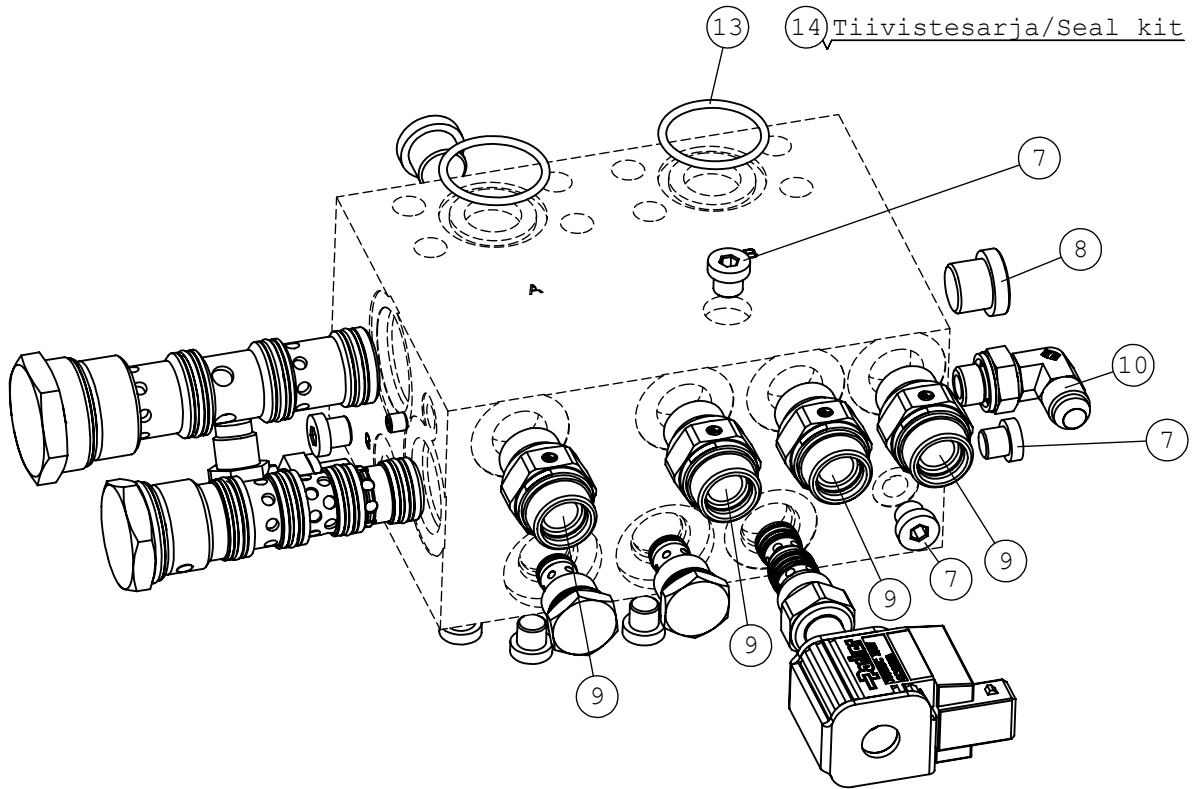


**A451386 HYDR. HOSES DRIVE, WITH ANTI SLIP**

REF	PART NO	QTY	DESCRIPTION	NOTES	PAGE
1	A421617	1	HYDRAULIC MANIFOLD, ANTI SLIP VALVE		108
2	A421615	1	HYDRAULIC MANIFOLD DRIVE RELEA & 2-SPEED	A421615 Avant 760	110
3	A421825	1	BANJO BOLT, HYDR. MANIFOLD		-
4	75112	2	O-RING NBR F 32,99*2,62 90SH		-
5	A449893	8	BASIC FITTING G3/4" M24*1,5		-
6	A451409	1	ELBOW FITTING 90 DEGR. M24X1,5		-
7	A451302	1	HYDR. HOSE L=620		-
8	A451423	1	HYDR. HOSE L=800		-
9	A451425	2	HYDR. HOSE L=1800		-
10	A451426	1	HYDR. HOSE L=1330		-
11	A451428	1	HYDR. HOSE L=1270		-
12	A451303	1	HYDR. HOSE L=800		-
13	A451429	1	HYDR. HOSE L=670		-
14	A410094	1	HYDR. HOSE L=350		-
15	A428535	1	HYDR. HOSE L=350		-
16	A410096	2	HYDR. HOSE L=450		-
17	A421905	1	HYDR. HOSE L=1780		-
18	A415127	2	HYDR. HOSE L=580		-
19	A415350	1	HYDR. HOSE L=1300		-
20	A414045	1	HYDR. HOSE L=1300		-
21	A410017	1	HYDR. HOSE L=400		-
22	A410092	1	HYDR. HOSE L=1550		-
23	A446654	1	HYDR. HOSE L=450		-
24	A410165	2	HYDR. HOSE L=300		-
25	64087	4	ELBOW FITTING 90 DEGR. /4#		-
26	66361	1	HOSE BARB 45° R3/4"UK - 20MM		-
27	64041	5	BASIC FITTING F40XS10-3/8 /8		-
28	64078	4	L-FITTING BODY R6XS10		-
29	64059	2	BASIC FITTING F40XS10-1/4		-
30	64232	1	FITTING HEAD FNTXS10		-
31	64040	1	BASIC FITTING F40XS10-1/2 /2		-
32	64070	1	T FITTING S6XS10		-
33	A37332	1	MOUNTING PLATE HYDRAULIC MANIFOLD, ASSEM		-
34	75122	8	HEXAGONAL HEAD SCREW M10*140 12.9 DIN912		-
35	A434424	8	SAFETY WASHER M10 3/8"		-

30.6.2022

# A421617 HYDRAULIC MANIFOLD, ANTI SLIP VALVE



HUOM!  
 Nimike A421617 sisältää  
 osat (2) - (13)  
 Tiivistesarja (14) sisältää  
 osien (2), (3), (4) ja (6)  
 tiivisteet

NOTE!  
 Item A421617 includes  
 components (2) - (13)  
 Seal kit (14) includes seals  
 for components (2), (3), (4)  
 and (6)

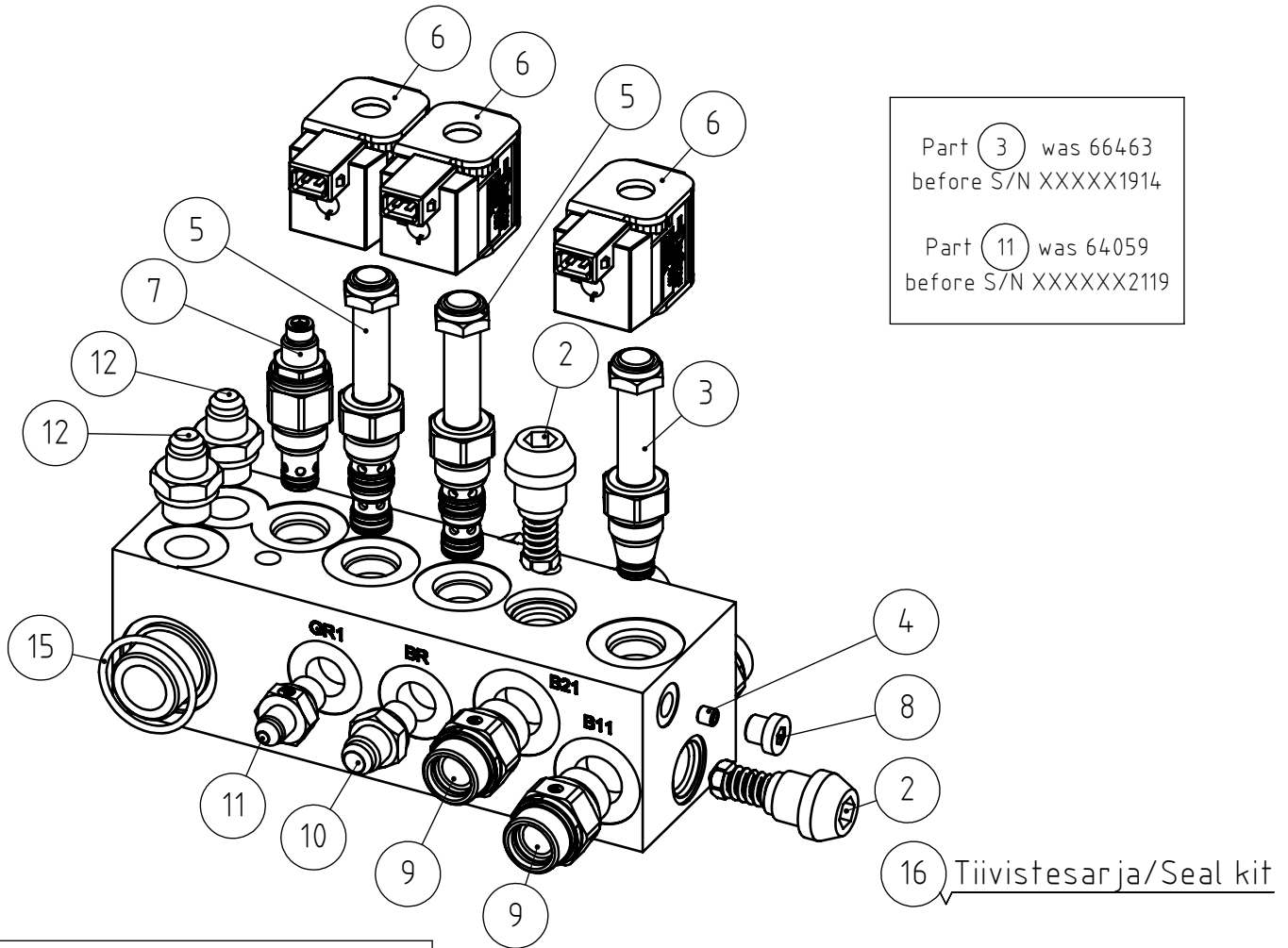


30.6.2022

**A421617 HYDRAULIC MANIFOLD, ANTI SLIP VALVE**

REF	PART NO	QTY	DESCRIPTION	NOTES	PAGE
1	A421617	1	HYDRAULIC MANIFOLD, ANTI SLIP VALVE		108
2	A428742	1	FLOW DIVIDER VALVE CARTRIDGE 420BAR		-
3	A428740	1	DIVERTER VALVE CARTRIDGE 420BAR		-
4	A428584	1	VALVE CARTRIDGE SPOOL VALVE 3/2		-
5	66452	1	SOLENOID 12VDC/19W		-
6	A428743	2	CHECK VALVE CARTRIDGE 420BAR		-
7	64407	7	HEXAGONAL PLUG R 1/8" WITH PACKING		-
8	74411	2	HEXAGONAL PLUG HF 3/8" HTUNG		-
9	66347	4	BASIC FITTING EO-3 R1/2" - EO3 F24 /2		-
10	64087	1	ELBOW FITTING 90 DEGR. /4#		-
11	64044	1	ELBOW FITTING 90° C40XS10-3/8 /8		-
12	A428739	1	FLOW RESTRICTOR M6/0,7MM		-
13	75113	2	O-RING NBR F 31,42*2,62 90SH		-
14	A428795	1	SEAL KIT HYDRAULIC MANIFOLD A421617		-

# A421615 HYDRAULIC MANIFOLD DRIVE RELEA & 2-SPEED

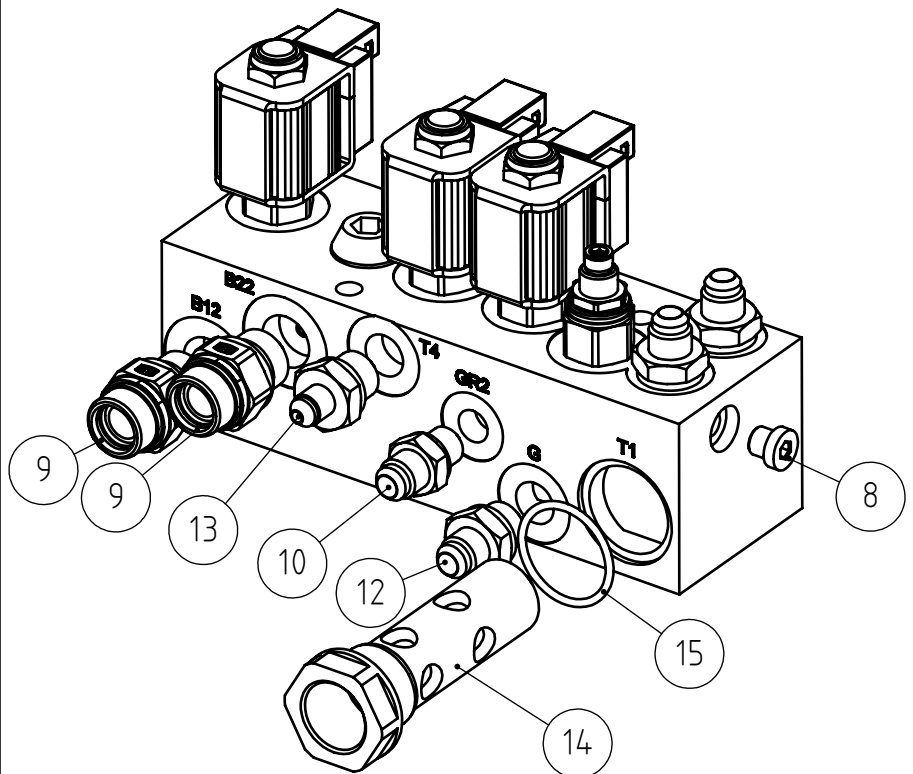


**HUOM!**  
Nimike A421615 sisältää  
osat (2) - (13)

Tiivistesarja (16) sisältää  
osien (2), (3), (5) ja (7)  
tiivisteet

**NOTE!**  
Item A421615 includes  
parts (2) - (13)

Seal kit (16) includes seals  
for parts (2), (3), (5)  
and (7)



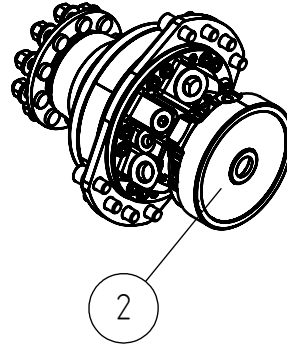
**A421615 HYDRAULIC MANIFOLD DRIVE RELEA & 2-SPEED**

REF	PART NO	QTY	DESCRIPTION	NOTES	PAGE
1	A421615	1	HYDRAULIC MANIFOLD DRIVE RELEA & 2-SPEED	A421615 Avant 760	110
2	A428734	2	PRESSURE RELIEF VALVE CARTRIDGE 380BAR		-
3	A432309	1	VALVE CARTRIDGE DRIVE RELEASE OPTIDRIVE		-
4	A428738	1	FLOW RESTRICTOR M6/1,0MM		-
5	A428584	2	VALVE CARTRIDGE SPOOL VALVE 3/2		-
6	66452	3	SOLENOID 12VDC/19W		-
7	A428735	1	PRESSURE RELIEF VALVE CARTRIDGE 30BAR		-
8	64407	2	HEXAGONAL PLUG R 1/8" WITH PACKING		-
9	66347	4	BASIC FITTING EO-3 R1/2" - EO3 F24 /2		-
10	64059	2	BASIC FITTING F40XS10-1/4		-
11	64678	1	BASIC FITTING F40XS6-1/4"		-
12	64041	3	BASIC FITTING F40XS10-3/8 /8		-
13	64313	1	BASIC FITTING F40XS6-3/8"		-
14	A421825	1	BANJO BOLT, HYDR. MANIFOLD		-
15	75112	2	O-RING NBR F 32,99*2,62 90SH		-
16	A428794	1	SEAL KIT HYDRAULIC MANIFOLD A421615		-

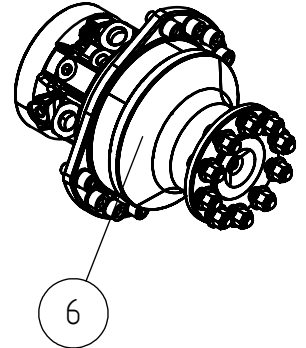
30.6.2022

# A448175 HYDRAULIC MOTOR ASSEMBLY 560/280 CCM

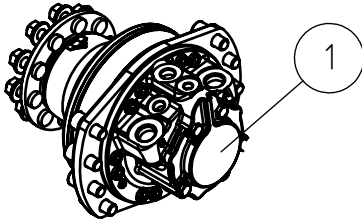
OIKEA TAKAMOOTTORI  
Right rear drivemotor



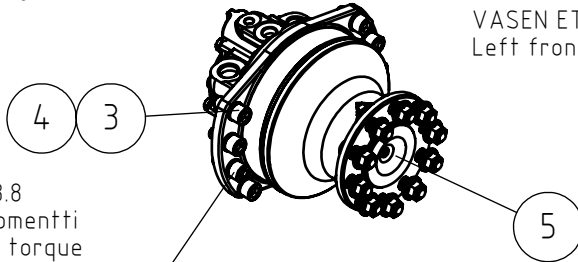
VASEN TAKAMOOTTORI  
Left rear drivemotor



OIKEA ETUMOOTTORI  
Right front drivemotor



VASEN ETUMOOTTORI  
Left front drivemotor



M16 8.8  
Kiristysmomentti  
Tightening torque  
197Nm  
Kierrelukite  
Threadlocking compound

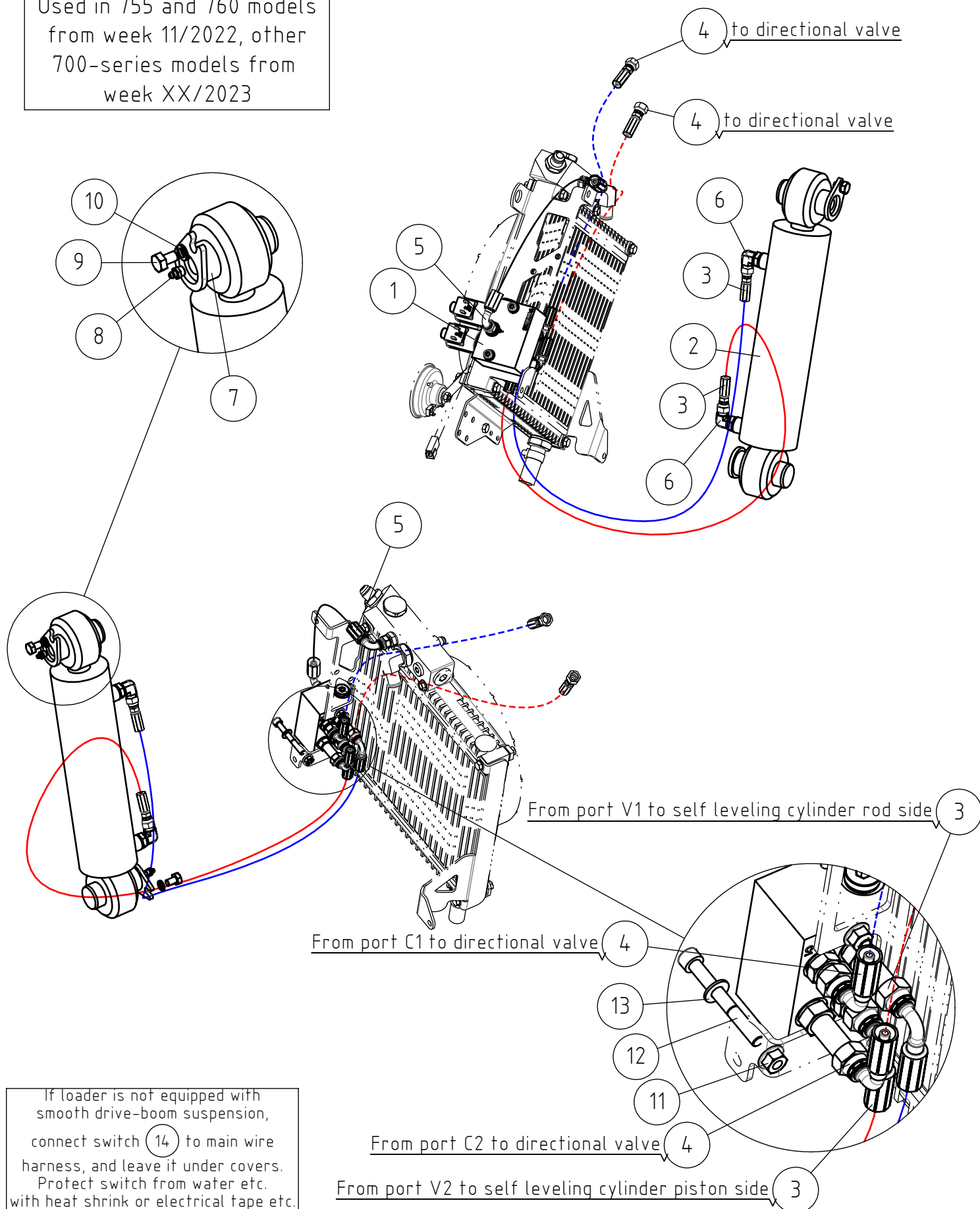
30.6.2022

**A448175 HYDRAULIC MOTOR ASSEMBLY 560/280 CCM**

REF	PART NO	QTY	DESCRIPTION	NOTES	PAGE
1	65138	1	HYDRAULIC MOTOR MS05 RIGHT 560/280CCM		-
2	65140	1	HYDRAULIC MOTOR MS05 WITH BRAKE RIGHT		-
3	A442920	32	HEXAGONAL HEAD SCREW M16*35 DIN 912 8.8		-
4	74533	32	WASHER, PAIR, M16 NL16 NORDLOCK		-
5	65139	1	HYDRAULIC MOTOR MS05 LEFT 560/280CCM		-
6	65141	1	HYDRAULIC MOTOR MS05 WITH BRAKE LEFT		-

# A445631 BOOM SELF LEVELLING 755I/760I

Used in 755 and 760 models from week 11/2022, other 700-series models from week XX/2023



If loader is not equipped with smooth drive-boom suspension, connect switch (14) to main wire harness, and leave it under covers. Protect switch from water etc. with heat shrink or electrical tape etc.

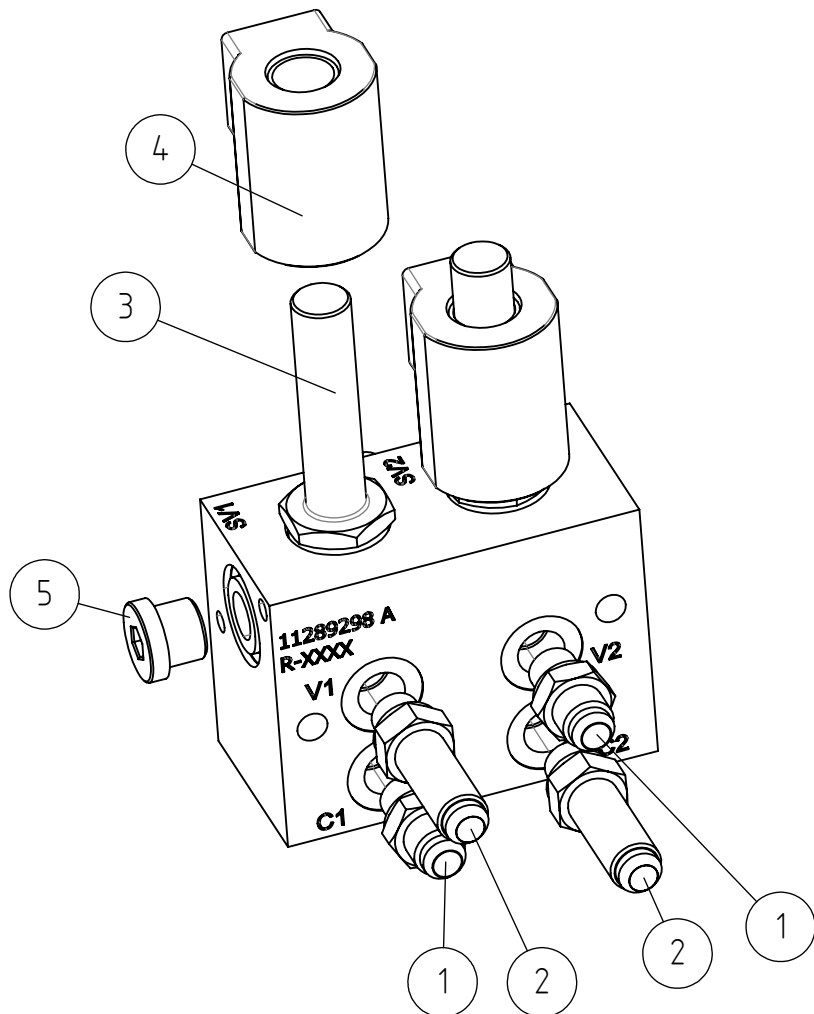
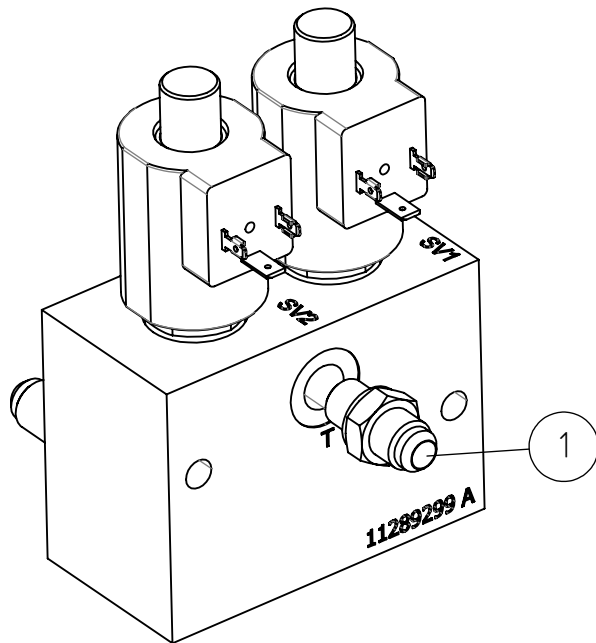
30.6.2022

**A445631 BOOM SELF LEVELLING 755I/760I**

REF	PART NO	QTY	DESCRIPTION	NOTES	PAGE
1	A449741	1	DIRECTIONAL VALVE ASSEMBLY BOOM FLOATING		116
2	A412914	1	HYDR. CYLINDER F80/F36-235 SELF LEVELLI		-
2.1	A418436	1	SEAL KIT, 80/36 CYLINDER, SELF LEV 700		-
3	A450417	2	HYDR. HOSE L=1250		-
4	A450415	2	HYDR. HOSE L=800		-
5	A450400	1	HYDR. HOSE L=500		-
6	64044	2	ELBOW FITTING 90° C40XS10-3/8 /8		-
7	A47041	2	PIVON PIN F40-90		-
8	72798	2	GREASE NIPPLE R 1/8" STRAIGHT		-
9	72147	2	HEXAGONAL SCREW M 10*16 DIN 933		-
10	74531	2	SPACER NORDLOCK M10, PAIR		-
11	74782	2	HEXAGONAL NUT M8 WITH FLANGE		-
12	A442472	2	HEXAGONAL HEAD SCREW M8*70 DIN 912 8.8		-
13	73122	2	WASHER M8 A8,4 DIN 125 ZN		-
14	A437190	1	SWITCH SMOOTH DRIVE		-
15	A440277	1	WIRE HARNESS SMOOTH DRIVE, TO VALVES		-

30.6.2022

# A449741 DIRECTIONAL VALVE ASSEMBLY BOOM FLOATING





30.6.2022

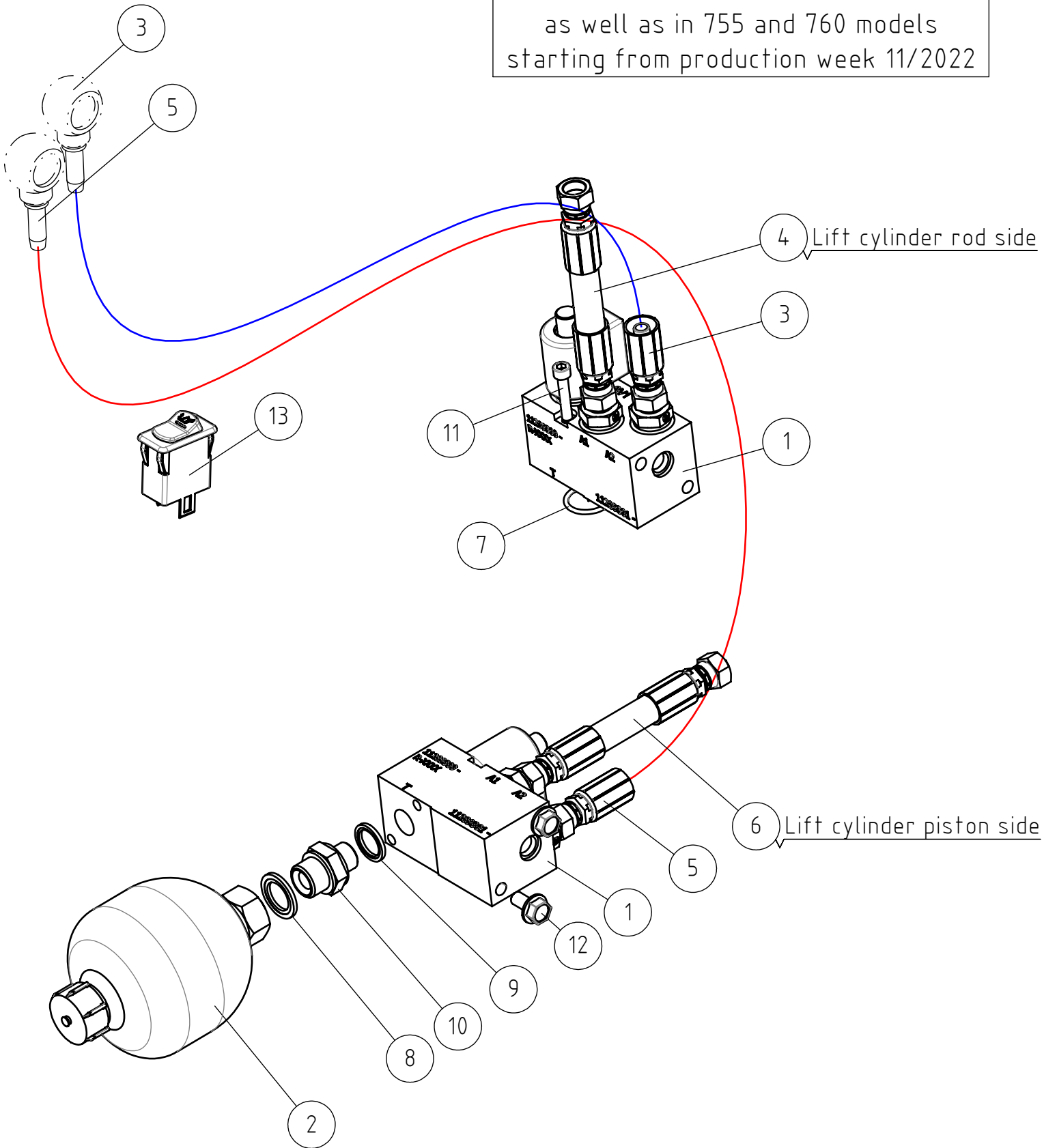
**A449741 DIRECTIONAL VALVE ASSEMBLY BOOM FLOATING**

REF	PART NO	QTY	DESCRIPTION	NOTES	PAGE
1	64059	3	BASIC FITTING F40XS10-1/4		-
2	A453598	2	BASIC FITTING G1/4" UNF 9/16" JIC		-
3	A432527	2	VALVE CARTRIDGE 3/2 CONTROL VALVE		-
4	A432544	2	SOLENOID 12V / 26W		-
5	74411	1	HEXAGONAL PLUG HF 3/8" HTUNG		-

30.6.2022

# A445633 SMOOTH DRIVE - BOOM SUSPENSION 600-700

Used in Avant 645 and 650 models as well as in 755 and 760 models starting from production week 11/2022



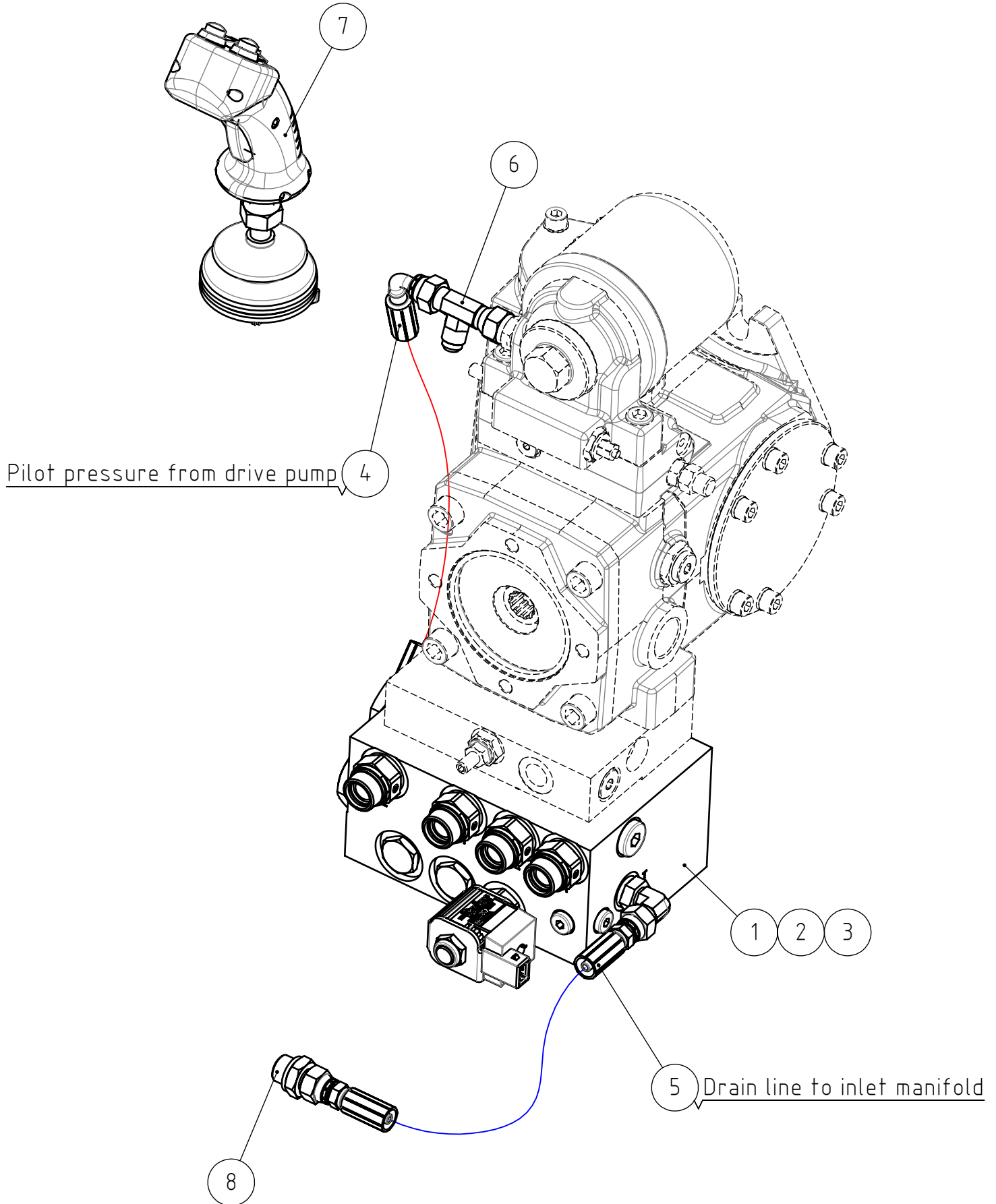
30.6.2022

**A445633 SMOOTH DRIVE - BOOM SUSPENSION 600-700**

REF	PART NO	QTY	DESCRIPTION	NOTES	PAGE
1	A449669	2			-
2	65732	1	ACCUMULATOR SBO300-		-
3	A446816	1	HYDR. HOSE L=800		-
4	A450402	1	HYDR. HOSE L=1270		-
5	A446810	1	HYDR. HOSE L=1300		-
6	A446813	1	HYDR. HOSE L=1650		-
7	A450398	1			-
8	73047	1	USIT SEAL RING R/12"		-
9	73379	1	USIT-COMPRESSION 3/8"		-
10	73408	1	REDUCTOR NIPPLE R3/8"-1/2"		-
11	74478	2	HEXAGONAL HEAD SCREW M6* 55		-
12	A429200	2	HEXAGONAL SERRATED SCREW M8*16 WITH FLAN		-
13	A437190	1	SWITCH SMOOTH DRIVE		-

30.6.2022

# A37362 ANTI SLIP VALVE OPTIDRIVE 700 SERIES



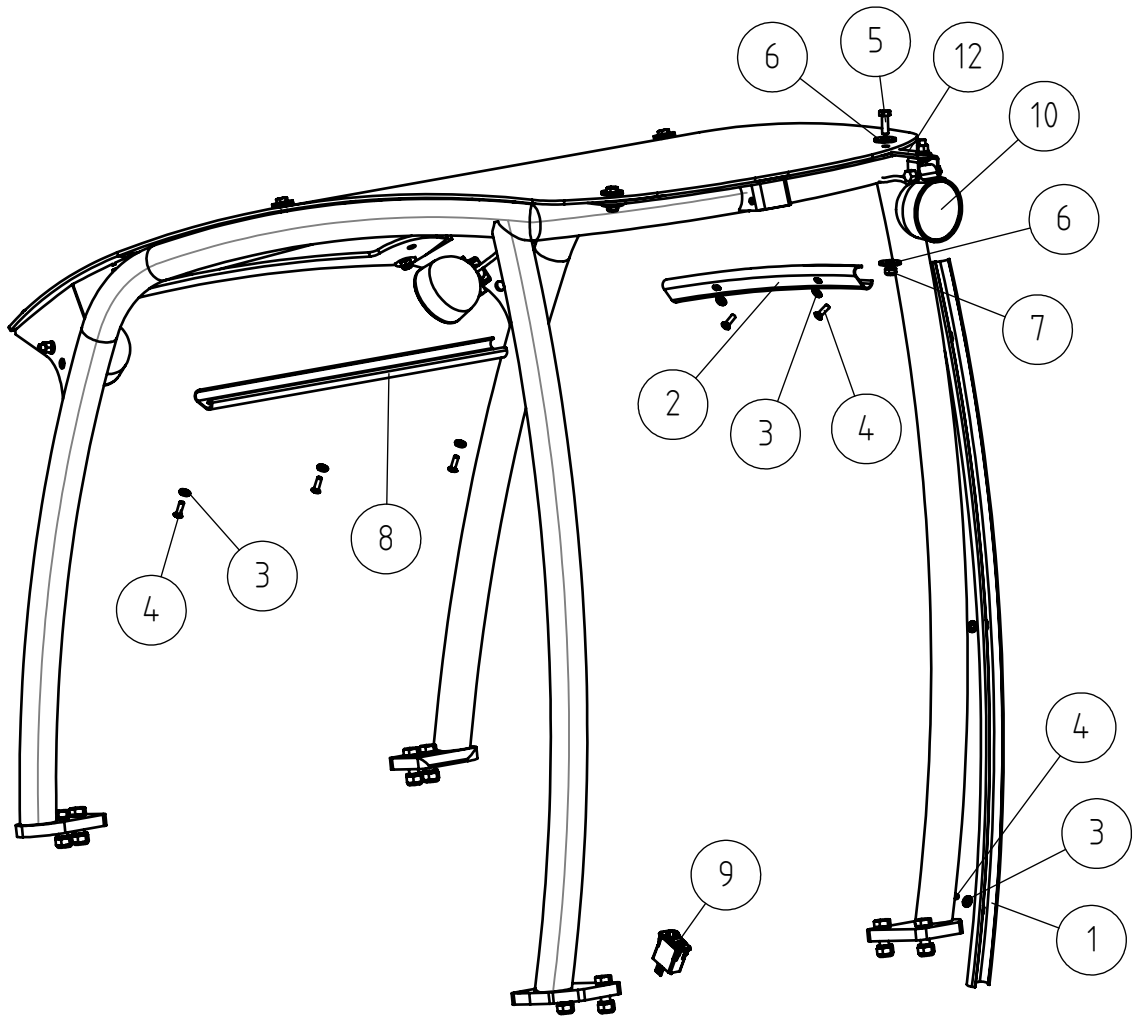
30.6.2022

**A37362 ANTI SLIP VALVE OPTIDRIVE 700 SERIES**

REF	PART NO	QTY	DESCRIPTION	NOTES	PAGE
1	A421617	1	HYDRAULIC MANIFOLD, ANTI SLIP VALVE		108
2	75122	8	HEXAGONAL HEAD SCREW M10*140 12.9 DIN912		-
3	A434424	8	SAFETY WASHER M10 3/8"		-
4	A410094	1	HYDR. HOSE L=350		-
5	A428535	1	HYDR. HOSE L=350		-
6	64078	1	L-FITTING BODY R6XS10		-
7	A423466	1	JOYSTICK 8 FUNCTION WITH ANTI SLIP	All switches	-
8	64041	1	BASIC FITTING F40XS10-3/8 /8		-

30.6.2022

# A438667 WORK LIGHT KIT, 3 LED LIGHTS 700 LUMEN



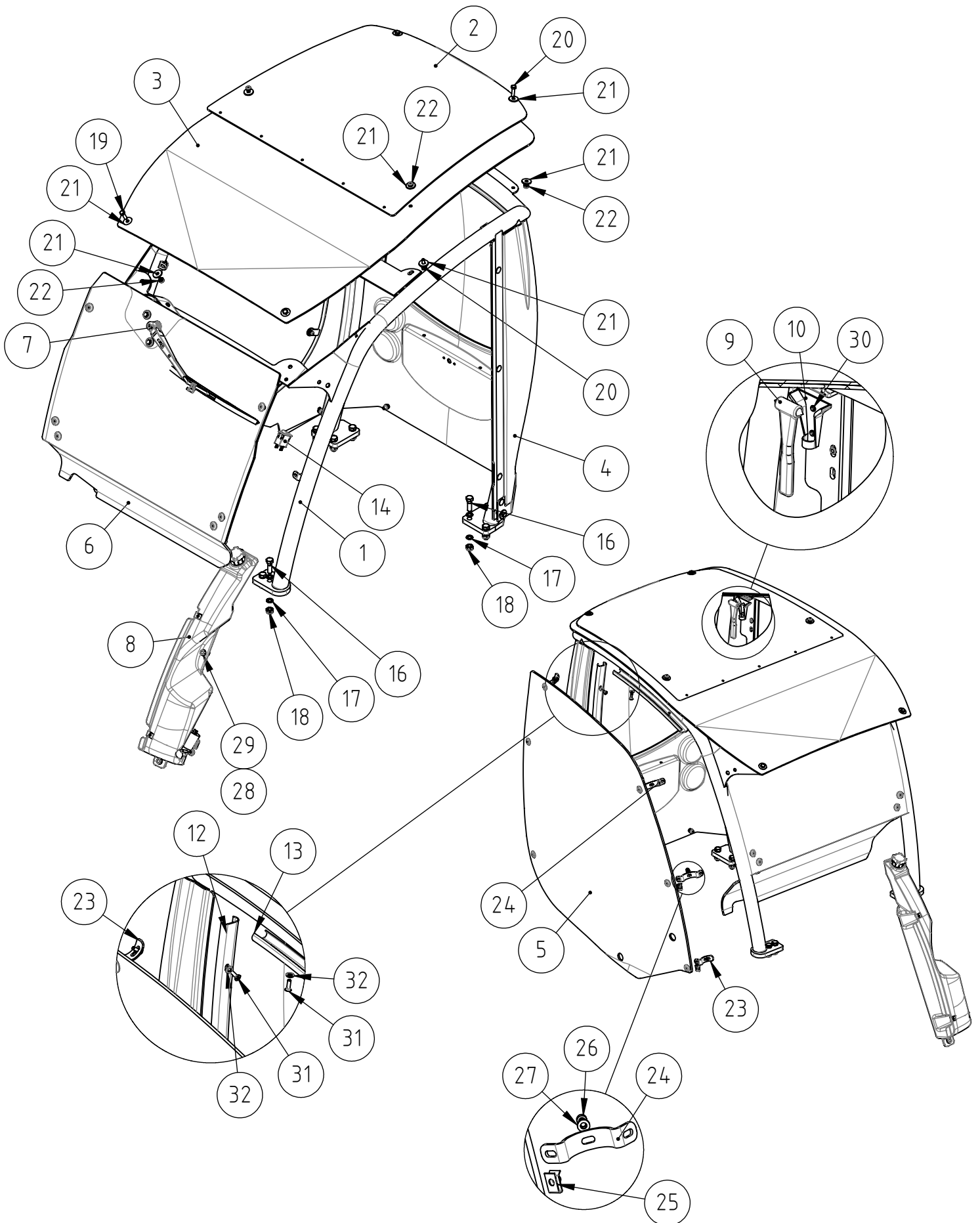
30.6.2022

**A438667 WORK LIGHT KIT, 3 LED LIGHTS 700 LUMEN**

REF	PART NO	QTY	DESCRIPTION	NOTES	PAGE
1	A49080	1	COVER STRIP, SIDE		-
2	A49079	1	COVER STRIP, MIDDLE		-
3	74768	8	WASHER MSS/NI M6		-
4	74767	8	RAISED COUNTERSUNK HEAD SCREW M6*20		-
5	72132	1	HEXAGONAL SCREW M 8*25 DIN 933 ZN		-
6	71685	2	WASHER M8 R9 DIN 440 ZN		-
7	72320	1	HEXAGONAL NUT M8 NYLOC DIN 985		-
8	A49077	1	COVER STRIP, UPPER		-
9	65066	1	SWITCH, WORK LIGHT		-
10*	66068	3	WORK LIGHT LED 700 LUMEN 12V/12W COBO	700 lumen	-
10**	A419163	3	WORK LIGHT LED 2500 LUMEN WITH CONNECTOR	2500 lumen	-
11	A437372	1	WIRE HARNESS WORK LIGHT KIT / BEACON		-
12	A412802	1	MOUNTING BRACKET WORK LIGHT LED		-

30.6.2022

# A449937 CAB L, 645I/650I/755I/760I





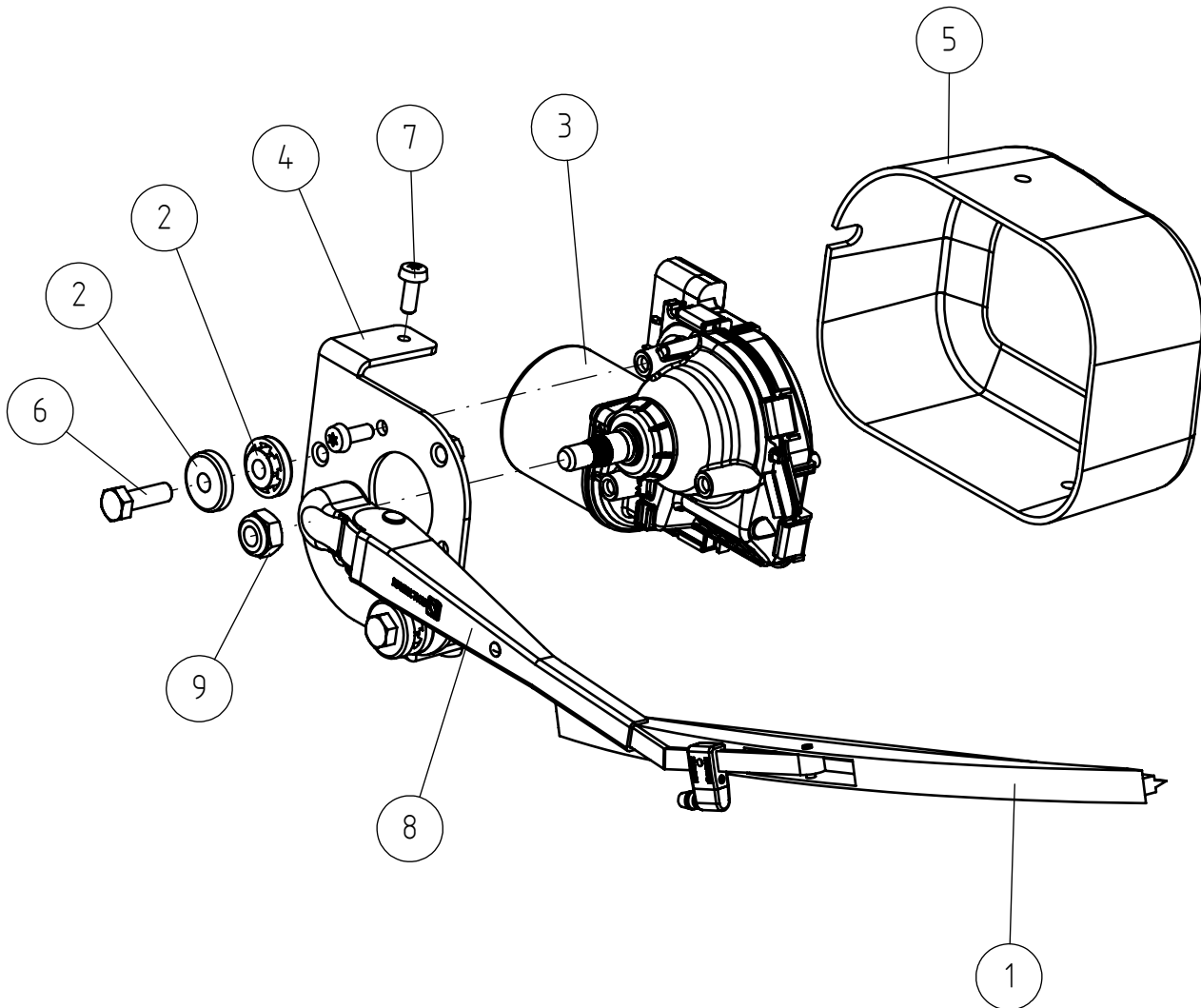
30.6.2022

**A449937 CAB L, 645I/650I/755I/760I**

REF	PART NO	QTY	DESCRIPTION	NOTES	PAGE
1	A33920	1	ROPS FRAME 1090 MM, 600/700 SERIES		-
2	A48905	1	FOPS CANOPY PLATE 500/600/700		-
3	A410091	1	CANOPY, POLYCARBONATE		-
4	A49446	1	REAR WALL WITH WINDOW 500/600/700/R/E		-
5	A49451	1	WINDOW, RIGHT, COMPLETE, CAB L 500-700		-
6	A443961	1	WINDSCREEN ASSEMBLY CAB L 500/600/700/E		-
7	A443979	1	WINDSCREEN WIPER ASSEMBLY CAB L 523-760I		126
8	A446010	1	TANK WINDSCREEN WASHER, ASSEMBLY		128
9	64986	1	EMERGENCY HAMMER HAPPICH RED		-
10	A432729	1	BRACKET, EMERGENCY HAMMER 64986		-
11	A411021	1	DECAL "EMERGENCY EXIT"		-
12	A49080	1	COVER STRIP, SIDE		-
13	A49079	1	COVER STRIP, MIDDLE		-
14	65063	1	SWITCH, WIPER/WASHER		-
15	A441037	1	WIRE HARNESS CAB L AVANT 700-800		-
16	73322	10	HEXAGONAL SCREW M12*40 DIN 931		-
17	74532	20	WASHER NORDLOCK NL12		-
18	72324	10	HEXAGONAL NUT M 12 NYLOC DIN 985		-
19	72132	2	HEXAGONAL SCREW M 8*25 DIN 933 ZN		-
20	72133	4	HEXAGONAL SCREW M8*30 DIN 933		-
21	71685	12	WASHER M8 R9 DIN 440 ZN		-
22	72320	6	HEXAGONAL NUT M8 NYLOC DIN 985		-
23	A49699	4	BRACKET		-
24	A49698	2	MOUNTING BRACKET		-
25	75172	4	SPEED NUT M5 FOR 0.5-4.0 MM PLATE		-
26	73766	6	HEXAGONAL HEAD SCREW M6*16 DIN 912 2 8.8		-
27	71680	6	WASHER M6 DIN 125		-
28	A450046	2	HEXAGONAL NUT M8 WITH FLANGE		-
29	A429202	2	HEXAGONAL SERRATED SCREW M8*25 WITH FLAN		-
30	A429345	2	PAN HEAD MACHINE SCREW M4*10		-
31	74767	5	RAISED COUNTERSUNK HEAD SCREW M6*20		-
32	74768	5	WASHER MSS/NI M6		-

30.6.2022

**A443979 WINDSCREEN WIPER ASSEMBLY CAB L 523-760I**



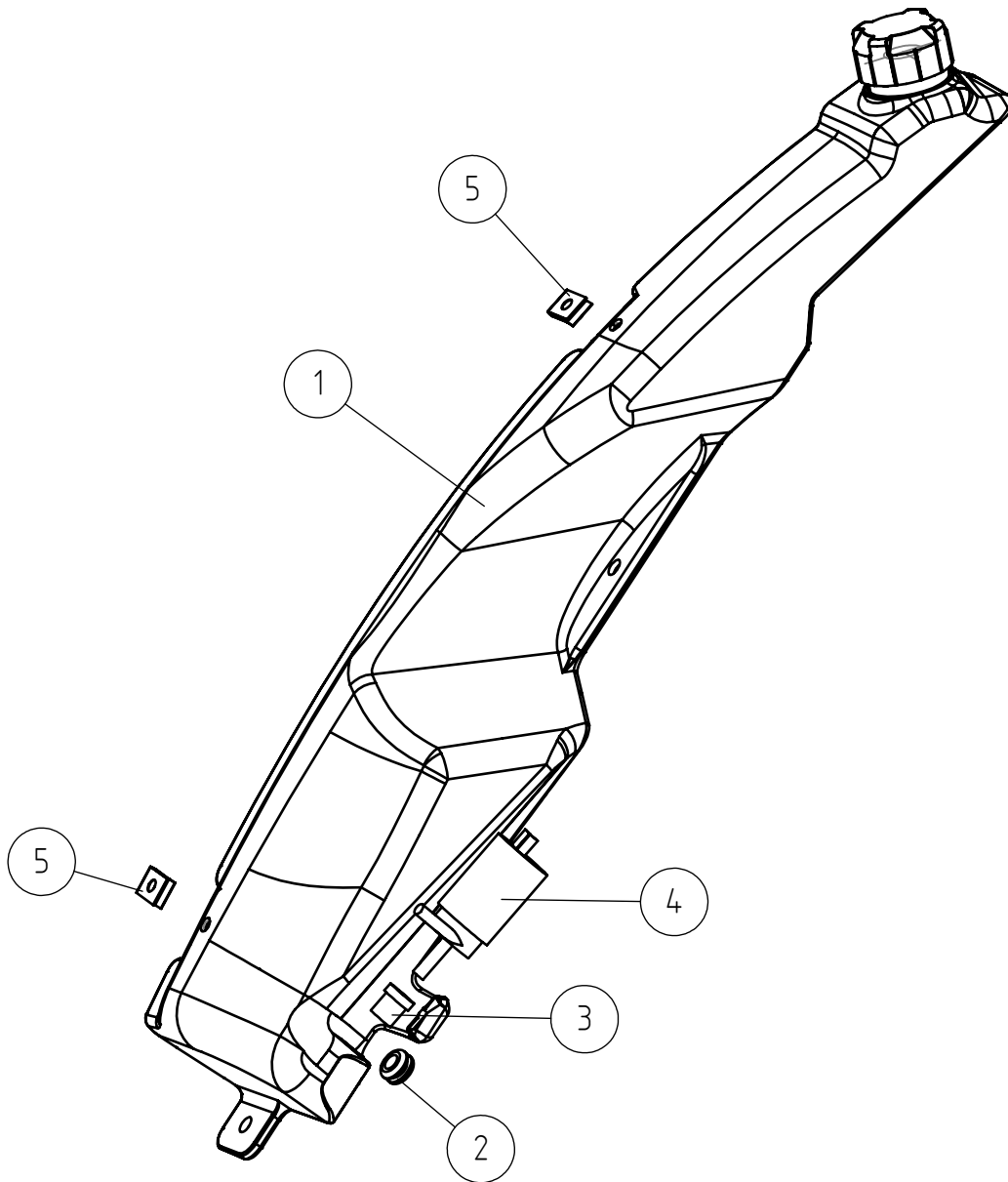
30.6.2022

**A443979 WINDSCREEN WIPER ASSEMBLY CAB L 523-760I**

REF	PART NO	QTY	DESCRIPTION	NOTES	PAGE
1	A440135	1	WIPER BLADE L=400MM		-
2	A441784	4	BUSHING PLASTIC D16,9/D8 - L8,1		-
3	A446829	1	ELECTRIC MOTOR PROGRAMMED WINDSCREEN		-
4	A440457	1	BRACKET MOTOR WINDSCREEN WIPER		-
5	A440716	1	COVER MOTOR WINDSCREEN WIPER		-
6	A427795	2	HEXAGONAL SCREW M8*25 DIN 933 8.8		-
7	A437544	4	THREAD-FORMING SCREW BLACK M6*16 DIN		-
8	A443799	1	ARM, WINDSCREEN WIPER M10 L=302 WITH		-
9	72322	1	HEXAGONAL NUT M 10 NYLOC DIN 985		-

30.6.2022

# A446010 TANK WINDSCREEN WASHER, ASSEMBLY

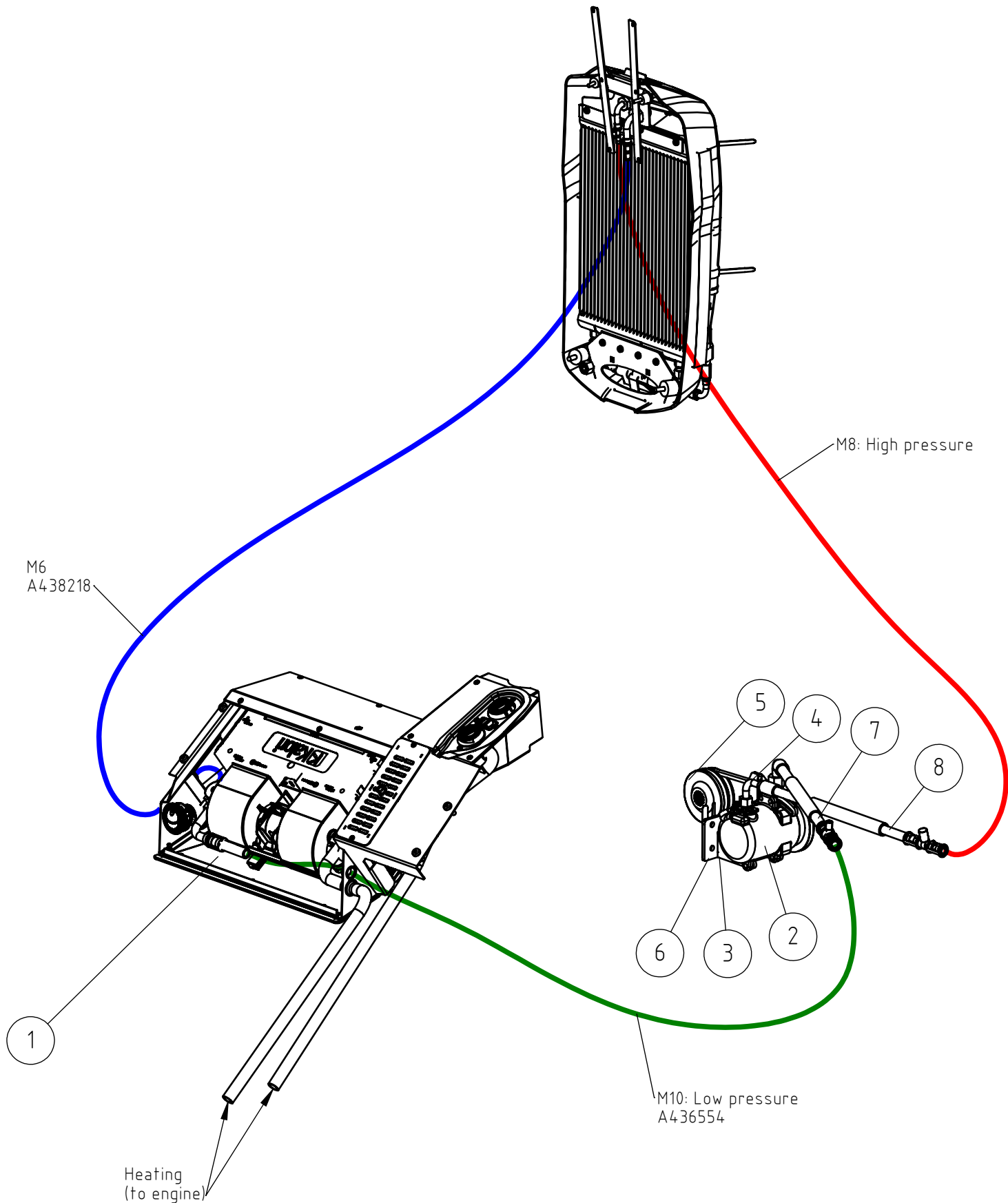


30.6.2022

**A446010 TANK WINDSCREEN WASHER, ASSEMBLY**

REF	PART NO	QTY	DESCRIPTION	NOTES	PAGE
1	A450244	1	TANK WITH CAP WINDSCREEN WASHER		-
2	64865	1	GROMMET F18/12/9,51-3		-
3	64991	1	GROMMET F18/14/6, H14/H5 ,2012306		-
4	65017	1	PUMP 12V, WINDSCREEN WASHER		-
5	74807	2	SPEED NUT M6, FOR 0.5-4.0 MM PLATE		-

A450869



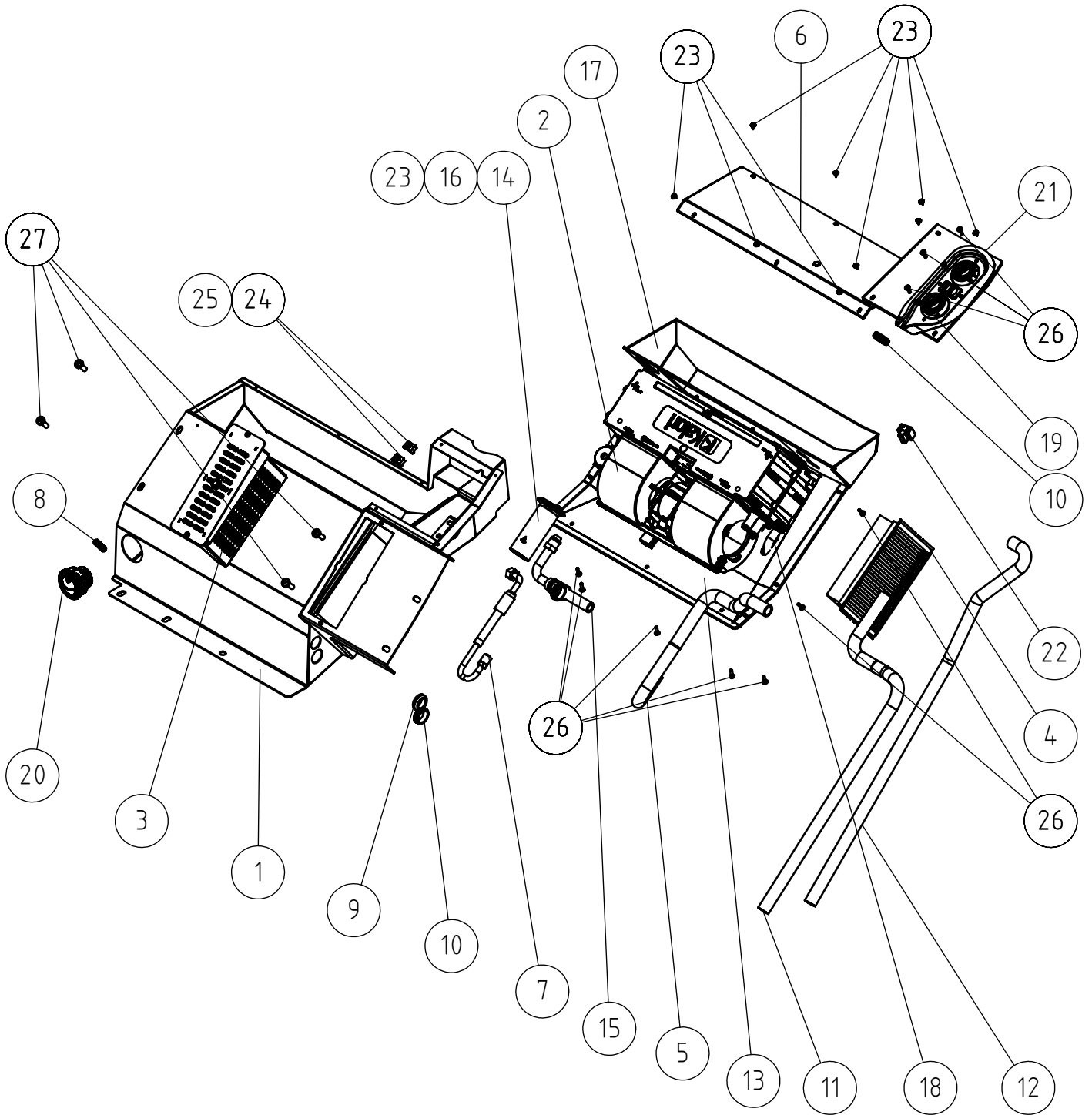
30.6.2022

**A450869**

REF	PART NO	QTY	DESCRIPTION	NOTES	PAGE
1	A434047	1	HEATER MODULE CAB GT		132
2	65515	1	COMPRESSOR, AIR CONDITIONING		-
2.1	A431604	1	TEMPERATURE SWITCH COMPRESSOR AC		-
3	A413458	1	BRACKET		-
4	65572	1	V-BELT SPZ760		-
5	A414540	1	V BELT PULLEY, DOUBLE		-
6	A414503	1	ADJUSTMENT PLATE, COMPRESSOR A/C		-
7	A438327	1	HOSE COMPRESSOR RETURN A/C CAB GT		-
8	A438330	1	HOSE COMPRESSOR-CONDENSER, A/C CAB GT		-
9	A450870	1			-
10	A449155	1	CONDENSER WITH RECEIVER DRIER A/C CAB GT		-
11	66173	1	HOSE FITTING M08 KALORI		-

30.6.2022

# A434047 HEATER MODULE CAB GT





30.6.2022

**A434047 HEATER MODULE CAB GT**

REF	PART NO	QTY	DESCRIPTION	NOTES	PAGE
1	A434046	1	HOUSING, HEATER CAB GT		-
2	A436383	1	HEATER CAB GT 6,6/4,5 KW KOOL KOMBI E		-
3	A434672	1	HOUSING AIR FILTER CAB		-
4	A422597	1	AIR FILTER, CAB, ASSEMBLY		-
5	A434090	1	HOSE HEATER CAB GT		-
6	A434450	1	COVER PLATE HEATER CHANNEL CAB GT		-
7	A438218	1	REFRIGERANT HOSE L=900 ASSEMBLY		-
8	65525	1	GROMMET F27/21/13		-
9	65526	1	GROMMET F32/25/19		-
10	A434302	3	GROMMET F32/25/19 60SH		-
11	A434303	1	INLET HOSE HEATER CAB GT		-
12	A434304	1	RETURN HOSE HEATER CAB GT		-
13	A436401	1	LID ASSEMBLY HEATER CAB GT		-
15	A436554	1	REFRIGERANT HOSE HEATER CAB GT		-
16	A436387	1	HOSE FITTING 40MM		-
17	A438219	1	ISOLATION PLATE HEATER CHANNEL CAB GT		-
18	A413467	2	WATER HOSE, CONDENSATION WASSER		-
19	65514	1	THERMOSTAT, HEATER, CAB		-
20	A436549	1	NOZZLE 60MM AIR FLOW CAB GT		-
21	A437682	1	FRAME, HEATER ADJUSTMENT KNOB CAB GT		-
22	A436290	1	WIRE HARNESS HEATER/AIRCON CAB GT		-
23	A436550	12	PAN HEAD MACHINE SCREW M3,9*9,5		-
24	75172	2	SPEED NUT M5 FOR 0.5-4.0 MM PLATE		-
25	74771	2	PAN HEAD MACHINE SCREW M5* 25		-
26	A436544	16	SCREW M4*16		-
27	75128	4	THREAD-FORMING SCREW M8*25 DIN 7500C		-

# **AVANT<sup>®</sup>**

## **Varaosat Spare parts**

Manufacturer:

**AVANT<sup>®</sup>**

**AVANT TECNO OY**

e-mail: [sales@avanttecho.com](mailto:sales@avanttecho.com)

Ylötie 1

33470 Ylöjärvi

FINLAND

Tel. +358 3 347 8800

Fax +358 3 348 5511